

iQ300, Washing machine, front loader, 7 kg, Silver WM12K168IN



iSensoric: sensor-controlled technology for perfect laundry care

- ✓ waterPerfect: sensor controlled load detection for water saving laundry care
- ✓ speedPerfect: Perfect wash results in up to 65% less time
- ✓ voltMonitor: for reliable info on power supply fluctuations and automatic resumption of wash cycle
- ✓ waveDrum: the washing machine drum for highly effective and extremely gentle laundry care

Features

Technical Data

Built-in / Free-standing : Freestanding
 Door hinge : left
 Color / Material body : Silver
 Length electrical supply cord (cm) : 160
 Height for building under : 843.00
 Height of the product (mm) : 850
 Dimensions of the product (mm) : 850 x 600 x 600
 Wheels : No
 Net weight (kg) : 72.385
 Drum volume (l) : 58
 Capacity cotton (kg) : 7.0
 Main colour of product : Silver
 Door Frame : silver-black grey
 Color Buttons : silver
 Color Dial : silver
 Connection Rating (W) : 2300
 Current (A) : 10
 Voltage (V) : 220-240
 Frequency (Hz) : 50
 Cord Included : No
 Length of drain hose (in) : 59.05
 Length of supply hose (in) : 59.05
 Appliance Dimensions (h x w x d) (inches) : x x
 Dimensions of the packed product (in) : 37.99 x 25.78 x 27.95
 Net weight (lbs) : 160
 Gross weight (lbs) : 171
 Length of drain hose : 150.00
 Length of supply hose : 150.00
 Dimensions of the packed product (HxWxD) (mm) : 965 x 710 x 655
 Gross weight (kg) : 78.0
 Connection Rating (W) : 2300
 Current (A) : 10
 Voltage (V) : 220-240
 Frequency (Hz) : 50
 Approval certificates : CE, VDE
 Water protection system : Multiple water protection
 Number of Options : 5
 Maximum spin speed (rpm) : 1200
 Spin speed options : Variable
 Digital countdown indicator : Yes
 Drying progress indicator : LED, LED-display



**iQ300, Washing machine, front loader,
7 kg, Silver
WM12K168IN**

Features

Performance

- Capacity: 7 kg
- Maximum spin speed: 1200 rpm
- Consumption: energy - 0.99 kWh; water - 47 l
- Noise level washing: 54 dB; Noise level spinning: 74 dB

Programmes

- Programmes: Synthetics, Hygiene, Delicate/Silk, Daily wash, Wool, Cottons

Key features

- waterPerfect
- speedPerfect
- voltMonitor
- antiVibration sidewalls
- waveDrum
- Multiple water protection
- LED display screen to indicate Remaining Time and Spin Speed Selection
- Reload Function
- Foam detection system to remove excessive foam

Technical Information

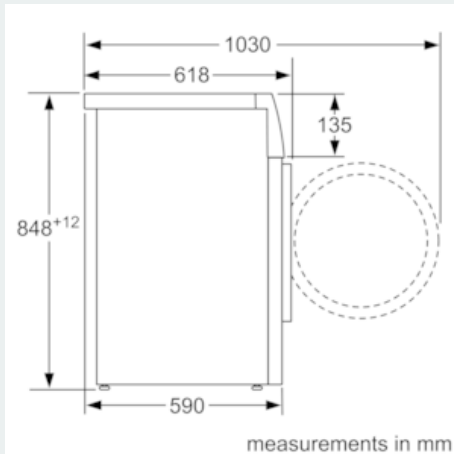
- Dimensions (H X W X D): 85 x 60 x 60 cm

**iQ300, Washing machine, front loader,
7 kg, Silver
WM12K168IN**

Dimensioned drawings



measurements in mm



measurements in mm