

**iQ500, washing machine, front loader, 7 kg, 1200 rpm
WM12J46SIN**



WX975600	Floor securing component
WZ10130	Extension for cold water inlet /Aquastop

- ✓ Intelligent, durable and quiet iQdrive motor for highly effective and efficient laundry care
- ✓ Get perfectly clean laundry in up to 65% less time with varioSpeed
- ✓ Anti-Vibration Side Panels reduce vibrations and ensure greater stability during the washing and spinning process.
- ✓ waveDrum - Highly effective and extremely gentle laundry care

Built-in / Free-standing:	Freestanding
Door hinge:	left
Color / Material body:	Silver
Length electrical supply cord:	160.0 cm
Height of the appliance:	848 mm
Dimensions of the product:	848 x 598 x 590 mm
Wheels:	No
Net weight:	72.1 kg
Drum volume:	58 l
Door Frame:	Chrome-black
Color Buttons:	white
Color Dial:	chrome
Noise level washing:	53 dB(A) re 1 pW
Connection Rating:	2300 W
Fuse protection:	10 A
Voltage:	220-240 V
Frequency:	50 Hz
Energy Star Qualified:	No
Cord Included:	Yes
Plug type:	India plug (16 Ampere)
Length of supply hose (in):	59.05 "
Dimensions of the packed product:	34.44 x 25.78 x 27.95
Net weight:	159.000 lbs
Gross weight:	169.000 lbs
Length of drain hose:	150.00 cm
Length of supply hose:	150.00 cm
Dimensions of the packed product (HxWxD): ...	875 x 655 x 710 mm
Gross weight:	76.5 kg
Connection Rating:	2300 W
Fuse protection:	10 A
Voltage:	220-240 V
Frequency:	50 Hz
Water protection system:	Multiple water protection
Max. spin speed:	1200 rpm
Spin speed options:	Variable
Digital countdown indicator:	Yes
Drying progress indicator:	LED-display, LED
Maximum capacity in kg (EU 2017/1369):	7.0 kg



iQ500, washing machine, front loader, 7 kg, 1200 rpm WM12J46SIN

- iSensoric Washing Machine with iQDrive for highly effective and efficient laundry care.

Technical Information

- Capacity: 7kg
- Maximum spin speed: 1200 rpm
- Dimensions (HxWxD): 84.8cm x 59.8cm x 59.0cm (63.6cm with door frame)
- 32cm porthole, 165° swing door

Programmes

- Cottons, Cottons 60 °C Label, Synthetics, Mix, Delicates/Silk, Wool, Drum Descaler, Spin/Drain, Rinse, Shirts/Business, Sportswear, Jeans, Freshen Up, Hygiene, Super 15min/30min

Features

- Intelligent, durable and quiet iQdrive motor for highly effective and efficient laundry care
- Speed up the washing process by up to 65% with the varioSpeed option.
- WaterPerfect™ Plus: Pressure and water sensor that measures the washing load and adjusts water intake to 256 precise levels for more cost and water savings
- WaveDrum's breakthrough wave-droplet design provides a thorough yet gentle clean for fine textiles
- Anti-Vibration Side Panels reduce vibrations and ensure greater stability during the washing and spinning process.
- Reload function to pause machine operation for adding in last minute laundry items
- Foam detection system to remove excessive foam

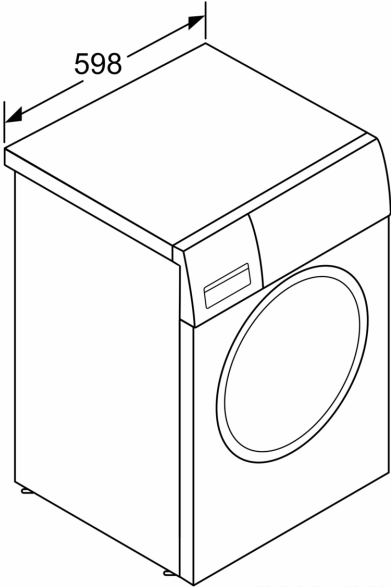
Safety

- Voltmonitor - monitors, regulates and feedback voltage fluctuations to manage unstable electrical supply to protect the washing machine and ensure a smooth wash cycle
- Multiple water protection with magnetic valve to minimise risk of leakage
- Child-proof lock

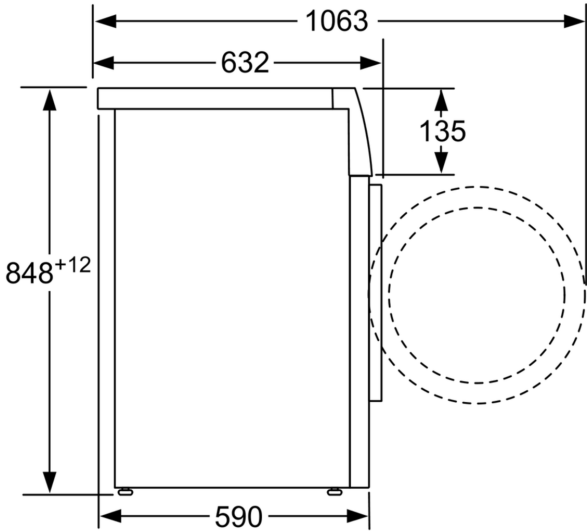
Display Screen & Alerts

- Large LED display screen to indicate: Programme status, Temperature and Spin Speed Selection, Remaining Time and 24 Hour End Time Delay, Load Recommendation and Consumption
- Touch control buttons: start/pause with reload function, spin speed selection, temperature selection, SpeedPerfect, easy iron, waterplus
- Buzzer at the end of the wash programme

iQ500, washing machine, front loader, 7 kg, 1200 rpm
WM12J46SIN



measurements in mm



measurements in mm