

iQ300, Washer dryer, 7/4 kg, WK14D321EU



B

- ✓ voltMonitor: for reliable info on power supply fluctuations and automatic resumption of wash cycle
- ✓

Features

Technical Data

Built-in / Free-standing : Freestanding
 Removable top : No
 Door hinge : left
 Length electrical supply cord (cm) : 220
 Height of removable worktop (mm) : 820
 Dimensions of the product (mm) : 820 x 595 x 584
 Net weight (kg) : 82.160
 Drum volume (l) : 52
 Connection Rating (W) : 2300
 Current (A) : 10
 Voltage (V) : 220-240
 Frequency (Hz) : 50
 Approval certificates : CE, VDE
 Energy consumption (wash and dry of full wash load) (kWh) : 5.60
 Energy consumption (wash only) (kWh) : 1.33
 Water consumption (wash and dry full wash load) (l) : 92



iQ300, Washer dryer, 7/4 kg, WK14D321EU

Features

Design

- B energy, A wash and B spin class
- Energy consumption wash and dry: 5.6 kWh
- Water consumption wash and dry: 92 litres
- Capacity: washing 7 kg and drying 4 kg
- waterPerfect
- Non-stop wash and dry programme 4 kg
- Maximum spin speed: 1355 rpm

Programmes

- Special programmes: ,Delicates 30°C
- Special programme: Fluff-removal cycle

Performance

- Buttons: Reload function, Spin speed selection, Menu, Drying time selection

Key features

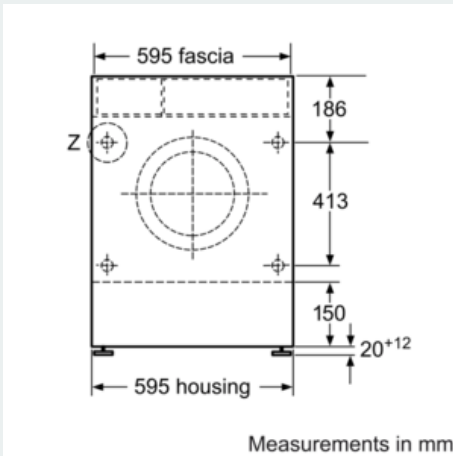
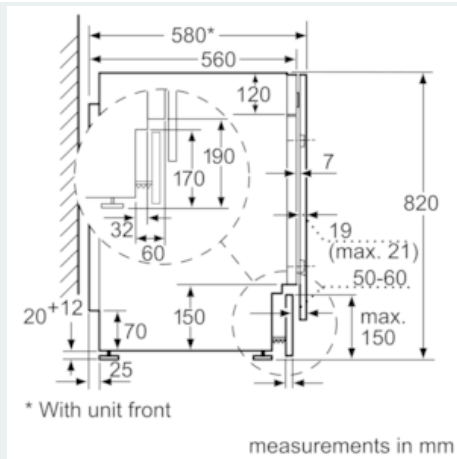
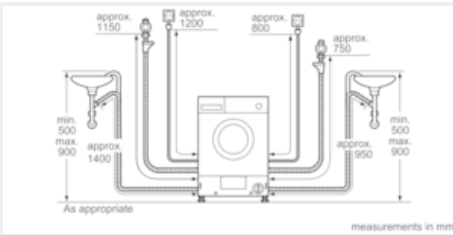
- aquaSecure
- Display for programme progress indication, time remaining and 19 hours time delay
- Sari Programme
- time selection options
- Prewash
- ActiveWater
- Foam detection system to remove excessive foam
- speedPerfect
- Buzzer at the end of the wash programme
- Child-proof lock
-
-
- 30 cm porthole with white coloured door, with 95 degree opening
- left-hand
- Decor door is reversible
- Time delay to select end of time of your wash (1-24 hours) and time remaining indicator
- Reload Function

Technical Information

- Noise level: washing 57 dB (re 1pW), Noise level: spinning 74 dB (re 1pW)
- Noise level spinning (dB): 74
-
-
-
- Dimensions (H X W X D): 82 x 59.5 x 58.4 cm
- Fully integratable

iQ300, Washer dryer, 7/4 kg, WK14D321EU

Dimensioned drawings



Z detail

