

**iQ500, washer dryer, 8/5 kg, 1500 rpm
WD15G460IN**



iSensonic WasherDryer with efficient iQdrive and energy efficiency class A.

- ✓ iQdrive - Efficient, durable and quiet.
- ✓ Wash & Dry 45/60: Fast, efficient washing and drying in just 45 or 60 minutes.
- ✓ Outdoor/impregnation programme – Protects your waterproof textiles.
- ✓ The most efficient use of water with any load level - waterPerfect Plus
- ✓ Anti-Vibration Side Panels reduce vibrations and ensure greater stability during the washing and spinning process.

Maximum capacity in kg in a Wash/Dry cycle (EU 2017/1369): 5.0
 Maximum capacity in kg in a wash cycle (EU 2017/1369): 8.0
 Built-in / Free-standing: Freestanding
 Removable top: No
 Door hinge: left
 Length electrical supply cord: 210.0 cm
 Dimensions of the product: 848x598x590 mm
 Net weight: 80.9 kg
 Drum volume: 56 l
 Connection Rating: 2200 W
 Fuse protection: 10 A
 Voltage: 220-240 V
 Frequency: 50 Hz
 Energy consumption (wash and dry of full wash load): 5.44 kWh
 Energy consumption (wash only): 0.83 kWh



WX975600 Floor securing component
 WZ10131 Extension for cold water inlet /Aquastop

iQ500, washer dryer, 8/5 kg, 1500 rpm WD15G460IN

Technical Information

- Capacity: washing 8 kg and drying 5 kg
- Maximum spin speed: 1500 rpm
- 32 cm porthole, pearl dark grey, black grey door with 180° opening
- Dimensions (H X W X D): 84.8 x 59.8 x 59 cm
- Drum volume: 56 l

Programmes

- Cottons, +Prewash, Synthetics, Mix, Outdoor/WaterProofing, Shirts/Business, Hygiene Care, Rinse, Spin/Drain, Wash&Dry 60', Super 15', Wool, Delicates/Silk, Fluff Clean, Gentle Dry, Intensive Dry

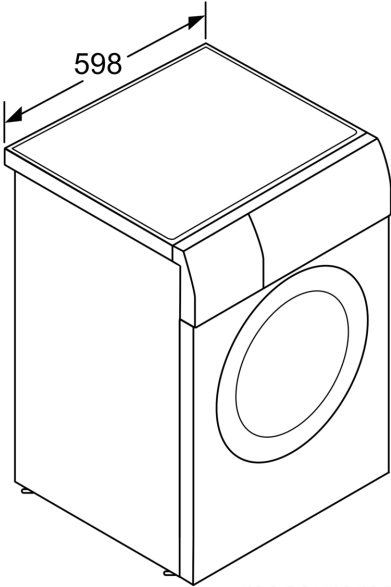
Key features

- Multiple water protection
- Ferrite-BLDC
- waveDrum
- waterPerfect: resource gentle watermanagement
- Out of balance load adjustment
- Child-proof lock
- Foam detection system to remove excessive foam

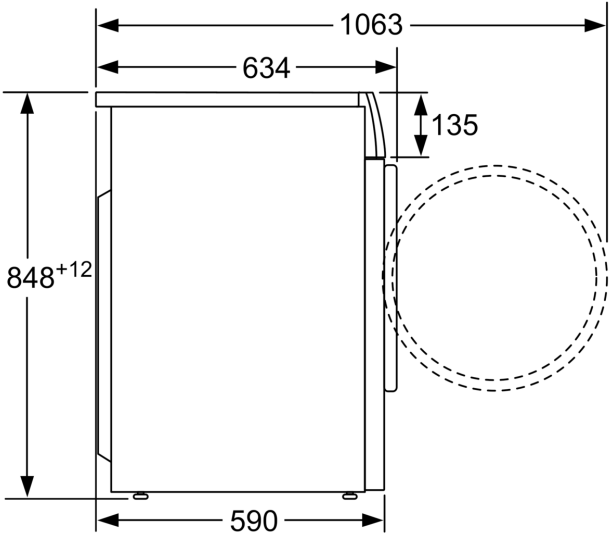
Display Screen & Alerts

- Large LED-Display for programme status indication, temperature selection, max. spin speed, remaining time and 24 h end time delay and load recommendation
- touchControl buttons: Temperature selection, Time delay, Drying time selection, Spin speed selection
- Buzzer at the end of the wash programme

iQ500, washer dryer, 8/5 kg, 1500 rpm
WD15G460IN



measurements in mm



measurements in mm