

iQ700, fully-integrated dishwasher, 60 cm, varioHinge for special installation situations SN97YX01CI



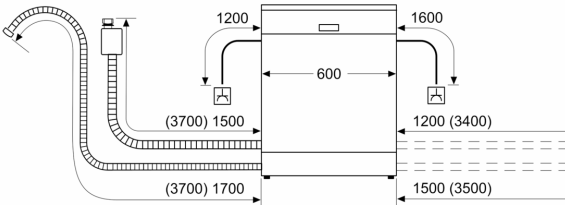
SZ30BI01	decorative strips stainless steel 81,5cm
SZ38BI00	Connection rail for divided furniture
SZ72010	inlet and outlet hose extention 2 m
SZ73000	Dishwashing aid set
SZ73001	Silver polishing cassette
SZ73035	panel strips, elevated install. 81,5cm
SZ73100	cutlery basket
SZ73300	Wineglass-Tray
SZ73640	Rack insert for stemware dishwasher

Maximum number of place settings (EU 2017/1369): 14
 The water consumption of the eco programme in liters per cycle (EU 2017/1369): 9.5 l
 Water consumption: 9.5 l
 Total annual energy consumption 220 days: 183 kWh
 Total annual water consumption 220 days: 2090 l
 Built-in / Free-standing: Built-in
 Removable top: No
 Door panel options: Not possible
 Height of removable worktop: 0 mm
 Height of the appliance: 815 mm
 Adjustable feet: Yes - all from front
 Maximum adjustability feet: 60 mm
 Adjustable plinth: Both horizontal and vertical
 Net weight: 45.7 kg
 Gross weight: 47.5 kg
 Connection Rating: 2400 W
 Fuse protection: 10 A
 Voltage: 220-240 V
 Frequency: 50; 60 Hz
 Length electrical supply cord: 175.0 cm
 Plug type: India plug (16 Ampere)
 Length inlet hose: 165 cm
 Length outlet hose: 190 cm
 Hidden heating element: Yes
 Water protection system description: Triple water protection 24h
 Child safety devices: Yes
 Water softener: Yes
 Top basket type: R4
 Adjustable upper basket: Rackmatic 3-stage
 Bottom basket type: R4
 3rd Rack: VarioDrawer Pro
 Optional accessories: SZ30BI01, SZ38BI00, SZ72010, SZ73000, SZ73001, SZ73035, SZ73100, SZ73300, SZ73640
 Included accessories 2: including Steam protection plate
 Number of place settings: 14
 Dimensions of the product (HxWxD): 815 x 598 x 550 mm
 Dimensions of the packed product (HxWxD): ... 880 x 660 x 670 mm

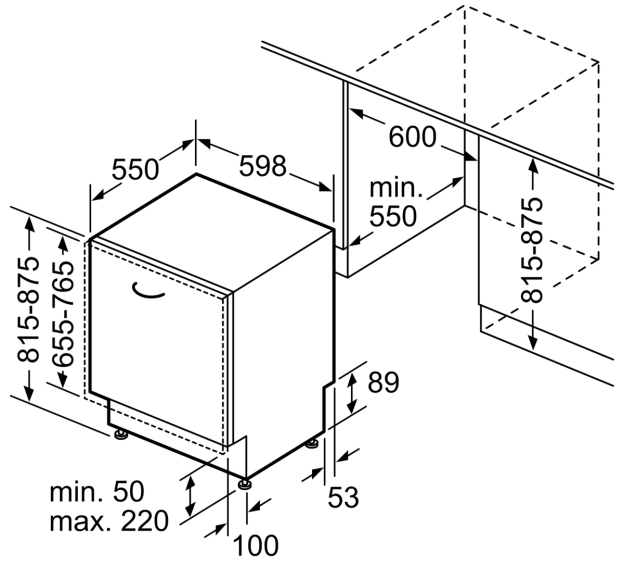


**iQ700, fully-integrated
dishwasher, 60 cm, varioHinge for
special installation situations
SN97YX01CI**

measurements in mm



⚡ socket
() values with extension kit



measurements in mm