

**iQ700, ceiling cooker hood, 105 cm, Black
LR18HLT65**



The varioLift design hood ensures the individual height adjustment for top performance while cooking, a clear view when not in use and is always at your service via voice control.

- ✓ iQdrive motor - The quiet, high-performance motor ensures efficient removal of odours and steam.
- ✓ Detects steam and odours to adjust the power level automatically – climateControl sensor with cookConnect system
- ✓ varioLift – Clean air while you’re cooking and a clear view afterwards.
- ✓ voiceControl – Control hood functions and lighting using your voice.
- ✓ Home Connect – The app that makes your hood work smarter.

LZ20JXP00	Long Life odor filter (replacement)
LZ21JXB16	Clean Air Plus odor filter (replacement)



Typology: Island/Ceiling
 Length electrical supply cord: 0.0 cm
 Net weight: 61.7 kg
 Type of control: Electronic
 Number of speed settings: 3-stage + 2 intensive
 Boost position output recirculating: 713 m³/h
 Maximum output recirculating air: 411 m³/h
 Number of lights: 6
 Grease filter material: Other
 Odour filter: Yes
 Air circulation: Recirculating air only
 Optional accessories: LZ20JXP00, LZ21JXB16
 Grease filter type: Multilayer cassette
 Connection Rating: 250 W
 Voltage: 220-240 V
 Frequency: 50; 60 Hz
 Plug type: No plug
 Type: Island
 Material body: Stainless steel, Glass
 Plug type: No plug
 Dimensions of the product, with chimney (if exists) (in): x x
 Dimensions of the packed product: 31.49 x 52.75 x 27.95
 Net weight: 136.000 lbs
 Gross weight: 176.000 lbs
 Motor location: Integrated motor in hood body
 No-return airflow flap: No
 Length electrical supply cord: 0.0 cm
 Dimensions of the product, with chimney (if exists): x 1050.0 x 600.0 mm
 Dimensions of the packed product (HxWxD): . 800 x 1340 x 710 mm
 Net weight: 61.7 kg
 Gross weight: 79.7 kg
 Delay Shut off modes: 10 min



iQ700, ceiling cooker hood, 105 cm, Black LR18HLT65

Variant

- Ceiling hood
- For ceiling mounted installation

Design

- Rim ventilation
- Rim extraction

Technical information

- Recirculating operation only
- Efficient BLDC-technology
- Max. extraction rate: 729 m³/h

Comfort

- Cooktop-based hood control
- (with matching cooktop)
- forced delay shutoff, Air quality sensor

Technical Information

- Steel filter cover, dishwasher safe
- Saturation display filter: grease- and charcoal filter
- 6 x 3W LED
- Light dimmer function
- Softlight with dimmer function
- Light Intensity: 1156 lux
- 3 speeds plus 2 intensive
- Automatic intensive revert
- Automatic 10 minutes after running
- Remote Monitoring and Control for connected home appliances and operation via smartphone or tablet (only in countries where Home Connect service is available)
- The Home Connect functionality can be extended by integrating numerous applications from external cooperation partners (partnerships)
- Voice Control enabled via popular voice assistants (only in countries where this service is available)
- interval function: available via Home Connect
- silence function: available via Home Connect

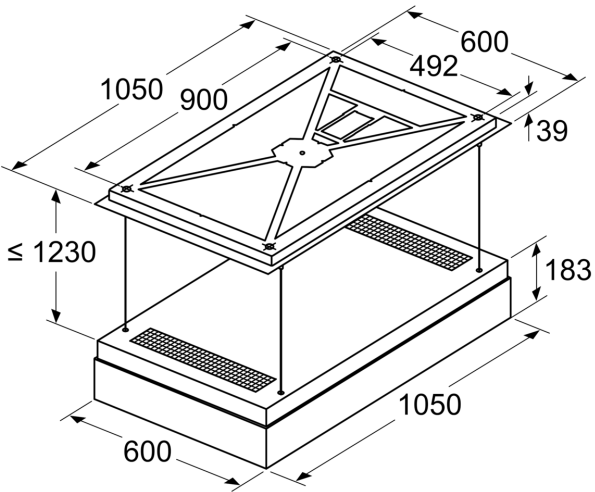
Connection and Consumption

- Total Connected load: 250 W

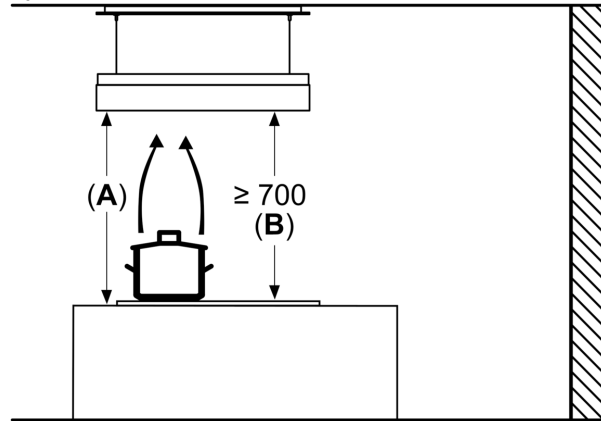
Dimensions:

**iQ700, ceiling cooker hood, 105 cm, Black
LR18HLT65**

measurements in mm

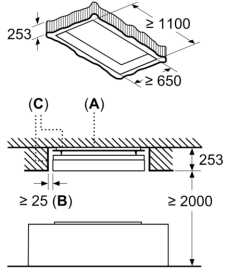


measurements in mm
Recommended for ceiling heights
up to 3500 mm



A: Optimum performance 700-1500
B: From upper edge of pan support

measurements in mm
Ceiling storage recess



A: Concrete ceiling
B: ≥ 25 mm all around
C: Depending on the cooking method,
residual moisture may escape from
the appliance even after use.
We therefore recommend treating
the ceiling storage recess with a paint
that prevents mould formation.