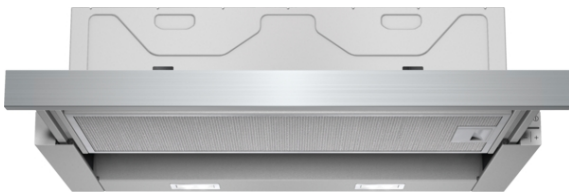


iQ300, telescopic cooker hood, 60 cm, Silver metallic LI64MA530



The powerful telescopic cooker hood practically disappears into the upper cabinet.

Features

Technical Data

Typology : Pull-out
 Approval certificates : CE, Eurasian, Ukraine, VDE
 Length electrical supply cord : 175 cm
 Required niche size for installation (HxWxD) : 162mm x 526.0mm x 290mm mm
 Net weight : 7.8 kg
 Type of control : Electronic
 Maximum output air extraction : 270 m³/h
 Boost position output recirculating : 171.0 m³/h
 Maximum output recirculating air : 159 m³/h
 Boost position air extraction : 404 m³/h
 Number of lights : 2
 Noise level : 62 dB(A) re 1 pW
 Diameter of air outlet : 150 / 120 mm
 Grease filter material : Washable aluminium
 Odour filter : No
 Operating Mode : Convertible
 Delay Shut off modes : 10 min
 Optional accessories : HZG9AS00S, LZ45450, LZ45510, LZ46520, LZ46560, LZ46850
 Type of lamps used : LED
 Total power of the lamps : 6 W
 Grease filter type : Multilayer cassette
 Connection Rating : 76 W
 Fuse protection : 10 A
 Voltage : 220-240 V
 Frequency : 50; 60 Hz
 Plug type : Gardy plug w/ earthing
 Installation typology : Built-in into the cabinet
 Material body : zinc plated
 Approval certificates : CE, Eurasian, Ukraine, VDE
 Plug type : Gardy plug w/ earthing
 Dimensions of the product, with chimney (if exists) (in) : / x x
 Dimensions of the packed product : 12.20 x 25.19 x 14.17
 Net weight : 17.000 lbs
 Gross weight : 20.000 lbs
 Motor location : Integrated motor in hood body
 No-return airflow flap : Yes
 Length electrical supply cord : 175 cm
 Dimensions of the product, with chimney (if exists) : 203 x 598.0 x 290.0 mm
 Dimensions of the packed product (HxWxD) : 310 x 640 x 360 mm
 Net weight : 7.8 kg
 Gross weight : 9.2 kg



4 242003 717844

iQ300, telescopic cooker hood, 60 cm, Silver metallic LI64MA530

Features

Design

- Suitable for ducted and re-circulating operation only
- Steel filter cover, dishwasher safe

Technical information

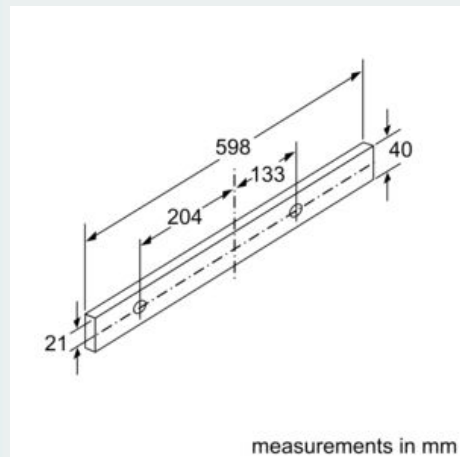
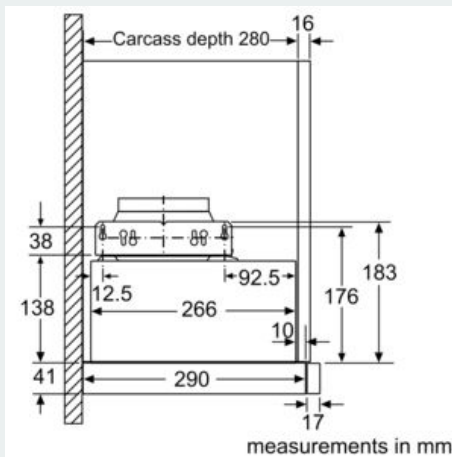
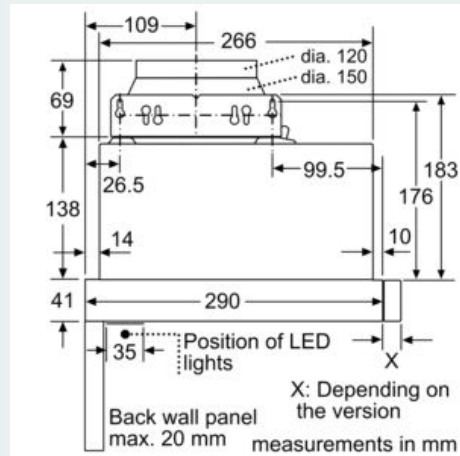
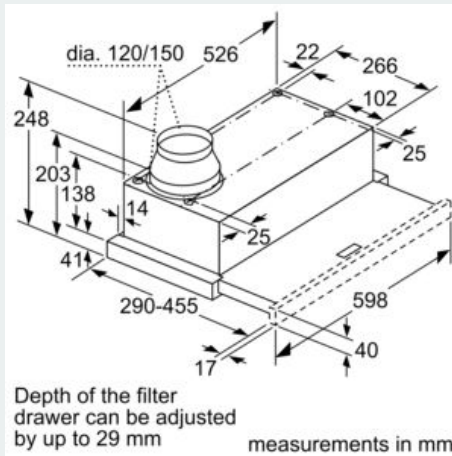
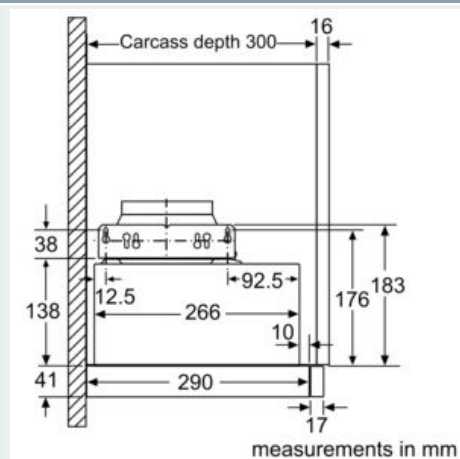
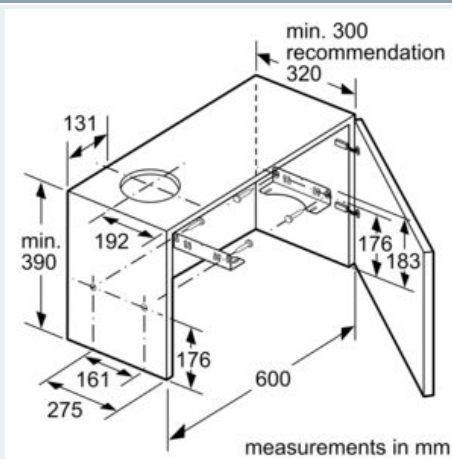
- Energy Efficiency Class: A
- Back-pressure flap: Yes
- Total Connected load: 76 W
- 3 x power levels plus intensive setting
- Automatic revert setting, 6 minutes
- Automatic 10 minutes after running
- Extraction rate according to EN 61591 ø 15 cm:
 - max. Normal use 270 m³/h
 - Intensive 404 m³/h
- Noise level according to EN 60704-3 und EN 60704-2-13 exhaust air:
 - Max. normal use: 62 dB(A) re 1 pW (49 dB(A) re 20 µPa sound pressure)
 - Intensive: 69 dB(A) re 1 pW (56 dB(A) re 20 µPa sound pressure)
- For installation into a 60cm wide cupboard
- stainless steel without logo
-
- Recirculating kit indicator available
- Push button (3 x power levels plus intensive setting) with LED
- 1 single inlet horizontal, Efficient BLDC-technology
- Efficient BLDC-technology
- 2 x LED 3W

Dimensions:

- Dimensions (HxWxD): 203 x 598 x 290 mm
- Cutout Dimensions (HxWxD): 16.2 cm x 52.6 cm x 29 cm
- Diameter pipe Ø 150 mm (Ø 120 mm enclosed)
- Recirculating kit
- 60 cm Extractor hood with telescopic canopy

iQ300, telescopic cooker hood, 60 cm, Silver metallic LI64MA530

Dimensioned drawings



iQ300, telescopic cooker hood, 60 cm,
 Silver metallic
 LI64MA530

Dimensioned drawings

