

**iQ500, wall-mounted cooker hood, 90 cm, clear glass black printed LC97FLP60I**



HZG9AS00S	Adapter
LZ00XXP00	Long Life odor filter (replacement)
LZ10AFR00	Long Life recirculation kit (chimless)
LZ10AFS00	Long Life recirculation kit
LZ10AXK50	Chimney extension 1000 mm
LZ10AXL50	Chimney extension 1500 mm
LZ11AFB16	Clean Air Plus odor filter (replacement)
LZ11AFI16	Clean Air Plus recirculation kit
LZ11AFV16	Clean Air Plus recirc. kit (chimless)
LZ11AXC56	Clean Air Plus recirc. kit external
LZ11AXE61	Chimney standard black
LZ31XXB16	Clean Air Plus odor filter (replacement)

The wall-mounted chimney hood: mount it on the wall, giving you complete freedom in your kitchen planning.

- ✓ iQdrive motor - The quiet, high-performance motor ensures efficient removal of odours and steam.
- ✓ LED light: Optimal visibility and atmosphere when cooking.
- ✓ The power level and the LED light can be selected directly – touchControl
- ✓ Pleasantly quiet - motor.
- ✓ Intensive setting with automatic after revert setting

**Technical specifications**

Typology:	Wall-mounted
Length electrical supply cord:	130.0 cm
Height of product, without chimney:	430 mm
Net weight:	21.7 kg
Type of control:	Electronic
Number of speed settings:	3-stage + 2 intensive
Maximum output air extraction:	394 m³/h
Boost position output recirculating:	404 m³/h
Maximum output recirculating air:	249 m³/h
Boost position air extraction:	717 m³/h
Number of lights:	2
Noise level:	57 dB(A) re 1 pW
Diameter of air outlet:	120 / 150 mm
Grease filter material:	Washable aluminium
Odour filter:	No
Air circulation:	Convertible
Optional accessories:	HZG9AS00S, LZ00XXP00, LZ10AFR00, LZ10AFS00, LZ10AXK50, LZ10AXL50, LZ11AFB16, LZ11AFI16, LZ11AFV16, LZ11AXC56, LZ11AXE61, LZ31XXB16
Type of lamps used:	LED
Grease filter type:	Multilayer cassette
Connection Rating:	143 W
Fuse protection:	10 A
Voltage:	220-240 V
Frequency:	50; 60 Hz
Plug type:	India plug (6 Ampere)
Type:	Wall-mounted
Material body:	Glass, Lacquered
Plug type:	India plug (6 Ampere)
Dimensions of the product, with chimney (if exists) (in):	..... x x
Dimensions of the packed product:	21.25 x 29.13 x 40.94
Net weight:	48.000 lbs
Gross weight:	64.000 lbs
Motor location:	Integrated motor in hood body
No-return airflow flap:	Yes
Length electrical supply cord:	130.0 cm
Dimensions of the product, with chimney (if exists):	..500 x 890.0 x 263.0 mm
Dimensions of the packed product (HxWxD):	. 540 x 740 x 1040 mm
Net weight:	21.7 kg
Gross weight:	29.0 kg
Delay Shut off modes:	10 min



## iQ500, wall-mounted cooker hood, 90 cm, clear glass black printed LC97FLP60I

### Variant

- LC97FLP60I black
- For wall mounted installation
- Flat brand design

### Design

- black Flat brand design
- Touch control with 2x7-segment
- Steel filter cover, dishwasher safe

### Technical information

- 3 speeds plus 2 intensive
- Maximum extraction power 412 m<sup>3</sup>/h (freeblowing)
- 2 x LM3-01\_LED\_1,5W
- Suitable for ducted and re-circulating operation only
- Recirculation kit or clean air kit

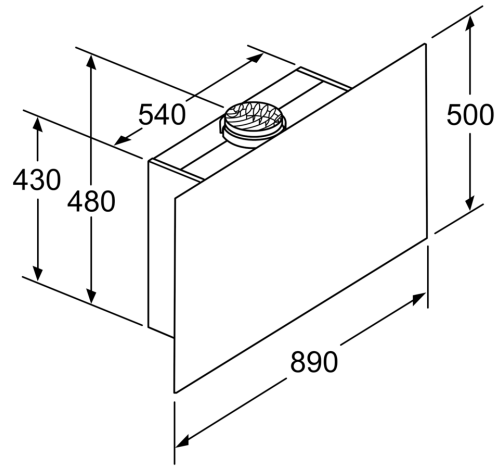
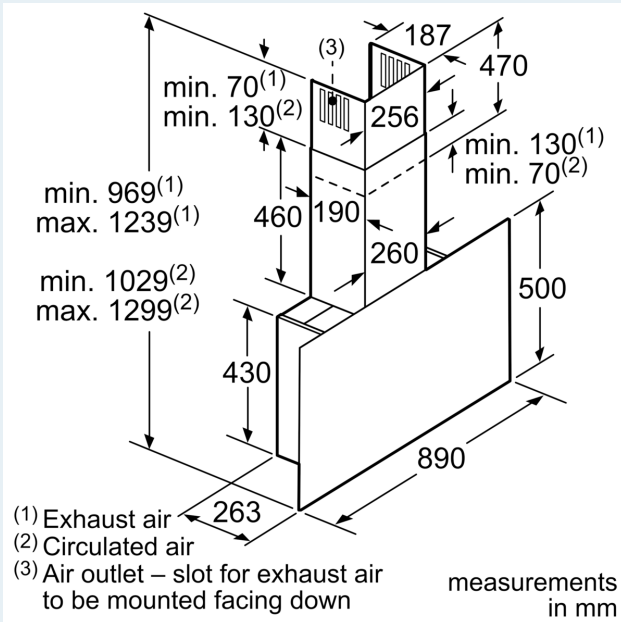
### Comfort

- Noise min./max. Normal Level: 43/57 dB
- Light Intensity: 225 lux
- Colour Temperature: 3500 K

### Dimensions:

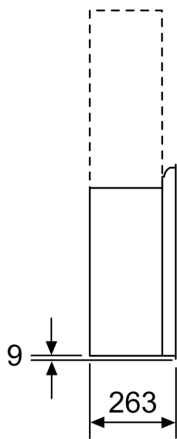
- 90 cm black Flat brand design hood
- Dimensions exhaust air (HxWxD): 969-1239 x 890 x 263 mm
- Dimensions recirculating (HxWxD): 1029-1299 x 890 x 263 mm
- Diameter pipe Ø 150 mm (Ø 120 mm enclosed)

iQ500, wall-mounted cooker hood, 90 cm, clear glass black printed LC97FLP60I

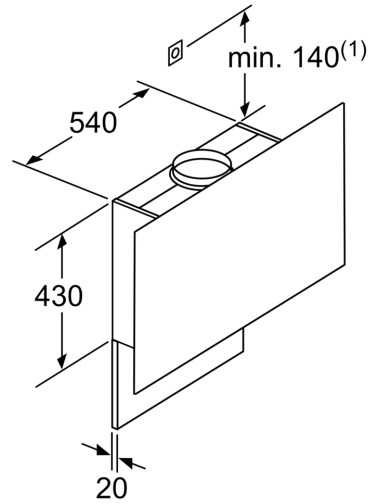


Appliance in circulated air mode without duct  
Circulated air set required

measurements in mm



measurements in mm

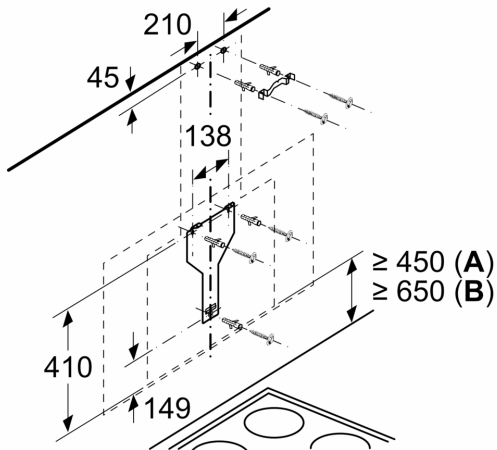


(1) Position of socket

Note the maximum thickness of the back panel.

measurements in mm

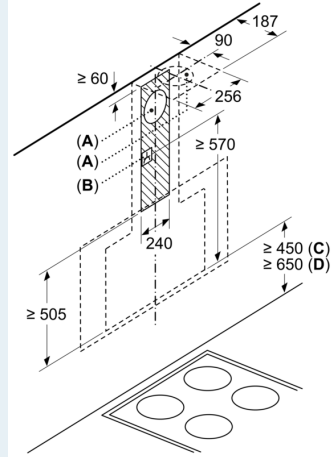
Measurements in mm



From upper edge of pan support

- A: Electric
- B: Gas

Measurements in mm



- A: Exhaust air
- B: Socket

From upper edge of pan support

- C: Electric
- D: Gas