

iQ700, wall-mounted cooker hood, 90 cm, clear glass black printed LC91KWP60I



LZ10AXL50	Chimney extension 1500 mm
LZ11AKB16	Clean Air Plus odor filter (replacement)
LZ11AKI16	Clean Air Plus recirculation kit
LZ11AKV16	Clean Air Plus recirc. kit (chimless)
LZ11AXC56	Clean Air Plus recirc. kit external
LZ31XxB16	Clean Air Plus odor filter (replacement)
LZ00XXP00	Long Life odor filter (replacement)
LZ10AKR00	Long Life recirculation kit (chimless)
LZ10AKS00	Long Life recirculation kit
LZ10AXK50	Chimney extension 1000 mm

Angled extractor hood with outstanding design and high extraction rate for a powerful performance.

- ✓ iQdrive motor - The quiet, high-performance motor ensures efficient removal of odours and steam.
- ✓ LED light: Optimal visibility and atmosphere when cooking.
- ✓ The power level and the LED light can be selected directly – touchControl
- ✓ Pleasantly quiet - motor.
- ✓ Intensive setting with automatic after revert setting

Typology: Wall-mounted
 Length electrical supply cord: 130.0 cm
 Height of product, without chimney: 323 mm
 Net weight: 23.6 kg
 Type of control: Electronic
 Number of speed settings: 3-stage + 2 intensive
 Maximum output air extraction: 525 m³/h
 Boost position output recirculating: 512 m³/h
 Maximum output recirculating air: 402 m³/h
 Boost position air extraction: 991 m³/h
 Number of lights: 2
 Noise level: 58 dB(A) re 1 pW
 Diameter of air outlet: 150 / 120 mm
 Grease filter material: Washable aluminium
 Odour filter: No
 Air circulation: Convertible
 Optional accessories: LZ10AXL50, LZ11AKB16, LZ11AKI16, LZ11AKV16, LZ11AXC56, LZ31XxB16, LZ00XXP00, LZ10AKR00, LZ10AKS00, LZ10AXK50
 Type of lamps used: LED
 Grease filter type: Multilayer cassette
 Connection Rating: 266 W
 Fuse protection: 10 A
 Voltage: 220-240 V
 Frequency: 50; 60 Hz
 Plug type: India plug (6 Ampere)
 Type: Wall-mounted
 Material body: Glass, Lacquered
 Plug type: India plug (6 Ampere)
 Dimensions of the product, with chimney (if exists) (in): x x
 Dimensions of the packed product: 27.16 x 29.13 x 40.94
 Net weight: 52.000 lbs
 Gross weight: 71.000 lbs
 Motor location: Integrated motor in hood body
 No-return airflow flap: Yes
 Length electrical supply cord: 130.0 cm
 Dimensions of the product, with chimney (if exists): ..454 x 890.0 x 499.0 mm
 Dimensions of the packed product (HxWxD): . 690 x 740 x 1040 mm
 Net weight: 23.6 kg
 Gross weight: 32.3 kg
 Delay Shut off modes: 10 min



iQ700, wall-mounted cooker hood, 90 cm, clear glass black printed LC91KWP60I

Design

- For wall mounted installation
- 90 cm
- Inclined glass brand design
- black Inclined glass brand design

Technical information

- Extraction rate according to EN 61591 ø 15 cm:
- max. Normal use: 525 m³/h
- Intensive: 991 m³/h
- Extraction rate in recirculation mode:
- Max. normal use: 497 m³/h
- Intensive: 781 m³/h
- Noise level according to EN 60704-3 and EN 60704-2-13 at max. normal use exhaust air: 58 dB(A) re 1 pW (45 dB(A) re 20 µPa sound pressure)
- Boost function
- Touch control with 2x7-segment
- 3 speeds plus 2 intensive via Touch control

Comfort

- Automatic 10 minutes after running
- 2 capture areas: front side and bottom side
- Automatic revert setting, 6 minutes
- easy to clean innerframe
- Softlight with dimmer function
- Efficient BLDC-technology
- 2 x 3W LED
- Rim ventilation
- Saturation display filter: grease- and charcoal filter
- Steel filter cover, dishwasher safe
- Energy Efficiency Class: A+
- Average Energy Consumption: 38.5 kWh/year*
- Blower Efficiency Class: A*
- Lighting Efficiency Class: A*
- Grease Filtering Efficiency Class: B*

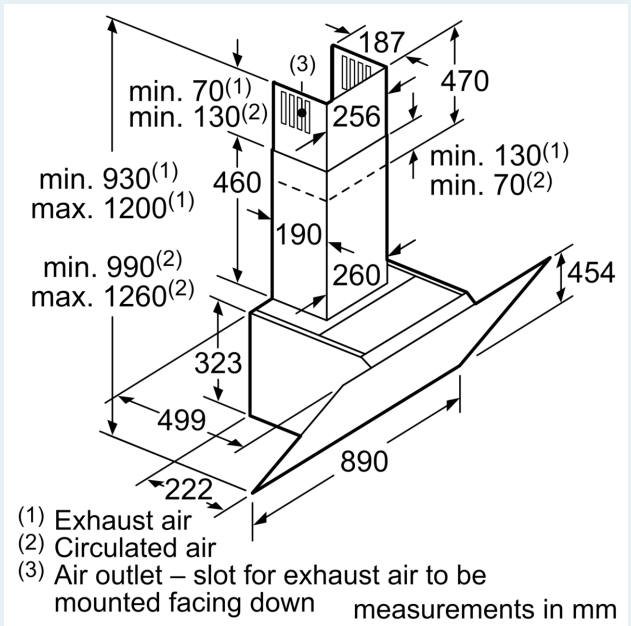
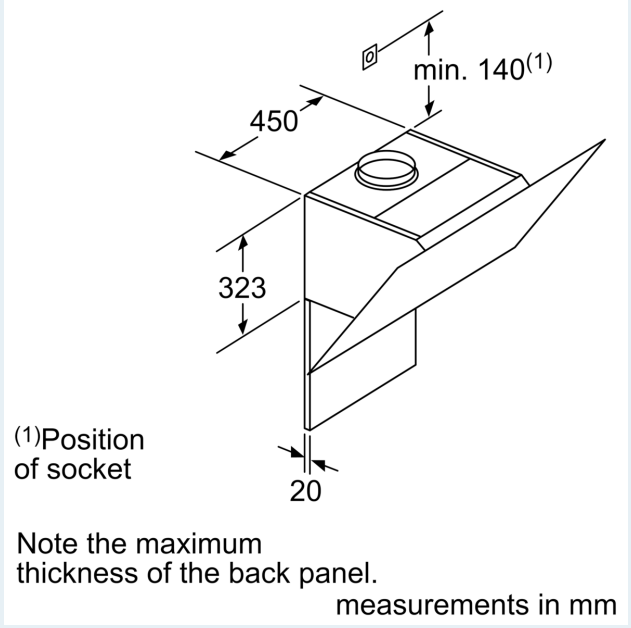
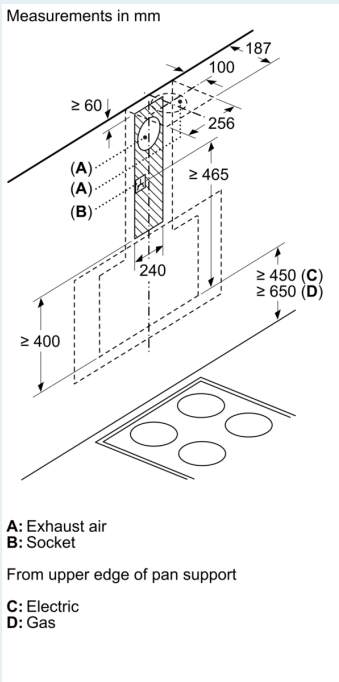
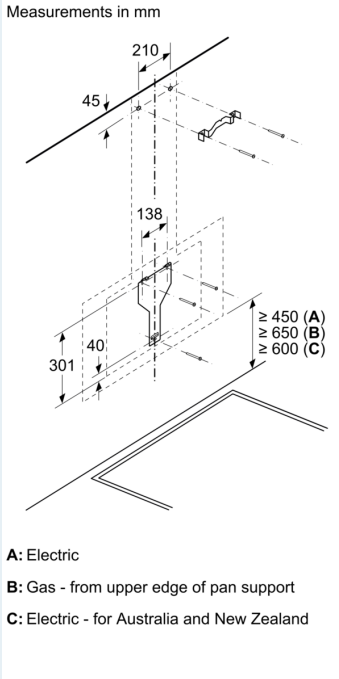
Technical Information

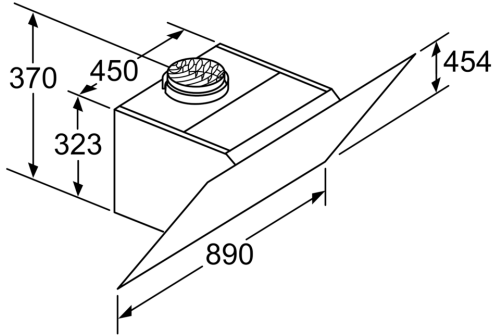
- Suitable for ducted and re-circulating operation only
- In recirculation operation chimless use possible
- For recirculated extraction a recirculating kit or a CleanAir recirculation kit (accessory) is needed
- Diameter pipe Ø 150 mm (Ø 120 mm enclosed)
- Total Connected load: 266 W
- Dimensions exhaust air (HxWxD): 930-1200 x 890 x 499 mm
- Dimensions recirculating, chimney (HxWxD): 990-1260 x 890 x 499 mm
- Dimensions recirculating, chimless (HxWxD): 454 mm x 890 x 499 mm

- Dimensions recirculating with CleanAir module (HxWxD):
- 1120 x 890 x 499mm - mounting with outer chimney
- 1190-1460 x 890 x 499 mm - mounting with telescopic chimney

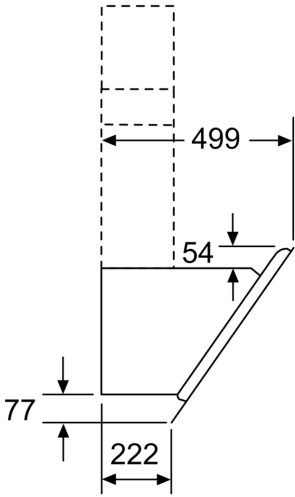
* In accordance with the EU-Regulation No 65/2014

iQ700, wall-mounted cooker hood, 90 cm, clear glass black printed LC91KWP60I





Appliance in circulated air mode
without duct
Circulated air set required
measurements in mm



measurements in mm