

iQ700, wall-mounted cooker hood, 90 cm, Stainless steel LC91BUV50I



LZ53450 Standard recirculation kit, LZ53451 Standard odor filter (replacement), LZ00XXP00 Long Life odor filter (replacement), LZ10FXJ05 Long Life recirculation kit, LZ11CXI16 Clean Air Plus recirculation kit, LZ12265 Chimney extension 1000 mm, LZ12365 Chimney extension 1500 mm, LZ12CBI14 Clean Air Standard recirculation kit, LZ12CXC56 Clean Air Plus recirc. kit external, LZ12FXD51 Long Life recirculation kit external, LZ31XXB16 Clean Air Plus odor filter (replacement), LZ32CBB14 Clean Air Standard odor filter (repl.), LZ50960 Backboard 90x65cm, LZ50961 Backboard 90 x 72 cm

The wall hood convinces with a very high extraction rate in a distinguished design that perfectly matches your kitchen.

- ✓ iQdrive motor - The quiet, high-performance motor ensures efficient removal of odours and steam.
- ✓ Detects steam and odours to adjust the power level automatically – climateControl sensor with cookConnect system
- ✓ voiceControl – Control hood functions and lighting using your voice.
- ✓ Home Connect – The app that makes your hood work smarter.
- ✓ The Siemens cooker hoods are equipped with adjustable LED lighting that lets you set the light temperature to just the way you want it. Turn your kitchen into an individual place.

Typology: Wall-mounted
 Length electrical supply cord: 130.0 cm
 Height of the chimney: 582-908/568-1018 mm
 Height of product, without chimney: 46 mm
 Net weight: 20.6 kg
 Type of control: Electronic
 Number of speed settings: 3-stage + 2 intensive
 Maximum output air extraction: 602 m³/h
 Boost position output recirculating: 561 m³/h
 Maximum output recirculating air: 462 m³/h
 Boost position air extraction: 965 m³/h
 Number of lights: 3
 Noise level: 64 dB(A) re 1 pW
 Diameter of air outlet: 120 / 150 mm
 Grease filter material: Washable stainless steel
 Odour filter: No
 Air circulation: Convertible
 Optional accessories: LZ53450, LZ53451, LZ00XXP00, LZ10FXJ05, LZ11CXI16, LZ12265, LZ12365, LZ12CBI14, LZ12CXC56, LZ12FXD51, LZ31XXB16, LZ32CBB14, LZ50960, LZ50961
 Grease filter type: Multilayer cassette
 Connection Rating: 269 W
 Fuse protection: 10 A
 Voltage: 220-240 V
 Frequency: 50; 60 Hz
 Plug type: India plug (6 Ampere)
 Type: Wall-mounted
 Material body: Stainless steel
 Plug type: India plug (6 Ampere)
 Dimensions of the product, with chimney (if exists) (in): x x
 Dimensions of the packed product: 23.03 x 25.59 x 38.18
 Net weight: 45.000 lbs
 Gross weight: 59.000 lbs
 Motor location: Integrated motor in hood chimney
 No-return airflow flap: Yes
 Length electrical supply cord: 130.0 cm
 Dimensions of the product, with chimney (if exists): 614-1064 x 898.0 x 500.0 mm
 Dimensions of the packed product (HxWxD): ... 585 x 650 x 970 mm
 Net weight: 20.6 kg
 Gross weight: 26.8 kg
 Delay Shut off modes: 10 min



iQ700, wall-mounted cooker hood, 90 cm, Stainless steel LC91BUV50I

Design

- Box design
- For wall mounted installation
- 90 cm stainless steel Box design hood
- Appliance colour: stainless steel
- Touch control with 7-segment display

Performance

- 3 speeds plus 2 intensive
- Extraction rate according to EN 61591 ø 15 cm:
- max. Normal use: 602 m³/h
- Intensive: 965 m³/h
- Extraction rate in recirculation mode:
- Max. normal use: 471 m³/h
- Intensive: 595 m³/h
- Noise level according to EN 60704-3 und EN 60704-2-13 exhaust air:
- Max. normal use: 64 dB(A) re 1 pW (51 dB(A) re 20 µPa sound pressure)
- Intensive: 73 dB(A) re 1 pW (60 dB(A) re 20 µPa sound pressure)
- Noise levels in recirculation mode:
- Max. normal use: 72 dB(A) re 1 pW (60 dB(A) re 20 µPa sound pressure)
- Intensive: 77 dB(A) re 1 pW (63 dB(A) re 20 µPa sound pressure)
- Cooktop-based hood control
- (with matching cooktop)

Comfort

- Automatic revert setting, 6 minutes
- Automatic 10 minutes after running
- Boost function
- easy to clean innerframe
- Air quality sensor
- Light dimmer function
- Softlight with dimmer function
- interval function: available via Home Connect
- silence function: available via Home Connect
- Efficient BLDC-technology
- 3 x 1.5W LED
- Light Intensity: 578 lux
- Saturation display filter: grease- and charcoal filter
- Steel filter cover
- Steel filter cover, dishwasher safe
- Additional noise reduction insulation
- Back-pressure flap: Yes
- Energy Efficiency Class: A+
- Average Energy Consumption: 37.7 kWh/year*
- Blower Efficiency Class: A*
- Lighting Efficiency Class: A*
- Grease Filtering Efficiency Class: B*

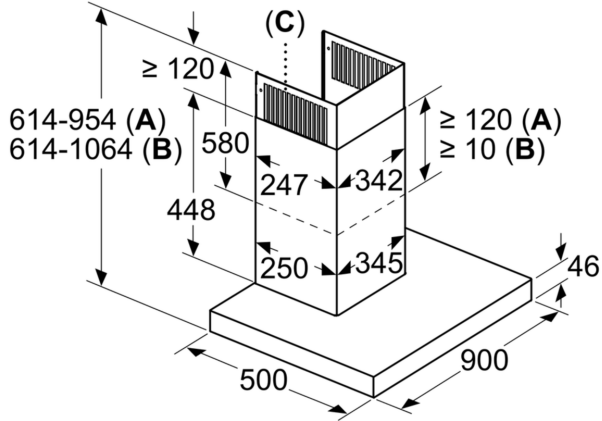
Technical Information

- Suitable for ducted and re-circulating operation only
- Chimney hood wall fixing system
- Dimensions recirculating with CleanAir module (HxWxD):
- 689 x 898 x 500mm - mounting with outer chimney
- 795-1139 x 898 x 500 mm - mounting with telescopic chimney
- Recirculation kit or clean air kit
- Dimensions exhaust air (HxWxD): 614-954 x 898 x 500 mm
- Dimensions recirculating (HxWxD): 614-1064 x 898 x 500 mm
- Diameter pipe Ø 150 mm (Ø 120 mm enclosed)
- Total Connected load: 269 W
- Connecting cable 130 cm
- Voltage: 220 - 240 V
- Remote Monitoring and Control for connected home appliances and operation via smartphone or tablet (only in countries where Home Connect service is available)
- The Home Connect functionality can be extended by integrating numerous applications from external cooperation partners (partnerships)
- Voice Control enabled via popular voice assistants (only in countries where this service is available)

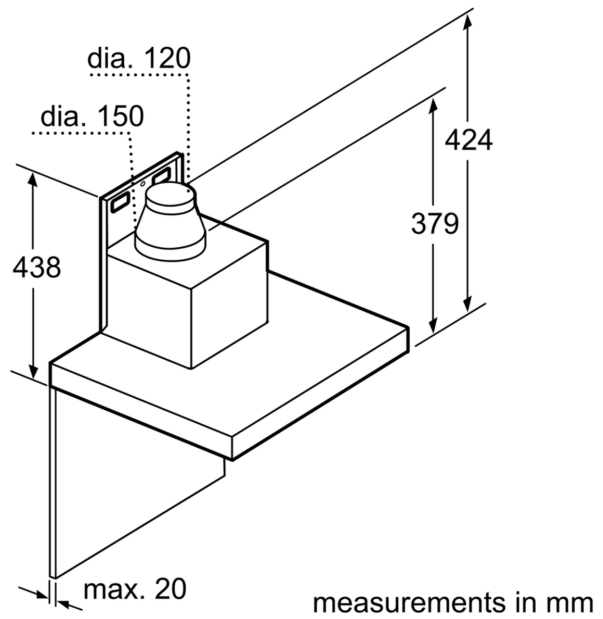
* In accordance with the EU-Regulation No 65/2014

**iQ700, wall-mounted cooker hood, 90 cm, Stainless steel
LC91BUV50I**

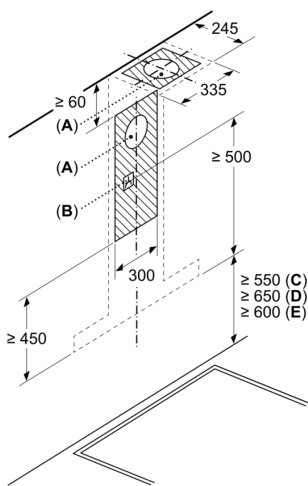
measurements in mm



- A:** Air extraction
- B:** Air recirculation
- C:** Air outlet – slots for exhaust air to be mounted facing down

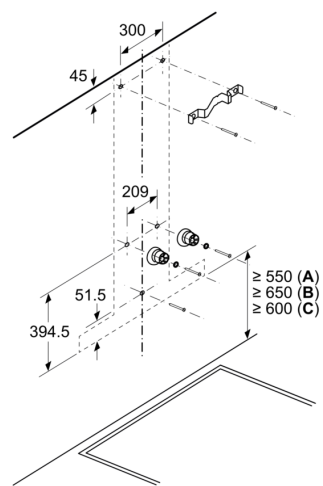


Measurements in mm



- A:** Exhaust air outlet
- B:** Socket
- C:** Electric
- D:** Gas - from upper edge of pan support
- E:** Electric - for Australia and New Zealand

Measurements in mm



- A:** Electric
- B:** Gas - from upper edge of pan support
- C:** Electric - for Australia and New Zealand