

## iQ500, wall-mounted cooker hood, 60 cm, Stainless steel LC67BCP50I



LZ53251 Standard odor filter (replacement), LZ00XXP00 Long Life odor filter (replacement), LZ10FXJ05 Long Life recirculation kit, LZ11CBI14 Clean Air Standard recirculation kit, LZ11CXI16 Clean Air Plus recirculation kit, LZ11FXC56 Clean Air Plus recirc. kit external, LZ11FXD51 Long Life recirculation kit external, LZ12250 Chimney extension 1000 mm, LZ12350 Chimney extension 1500 mm, LZ31CXB14 Clean Air Standard odor filter (repl.), LZ31XXB16 Clean Air Plus odor filter (replacement), LZ50660 Backboard 60 x 65 cm, LZ50661 Backboard 60 x 72 cm, LZ53250 Standard recirculation kit

The powerful wall hood convinces with a high extraction rate and an outstanding design.

- ✓ iQdrive motor - The quiet, high-performance motor ensures efficient removal of odours and steam.
- ✓ LED light: Optimal visibility and atmosphere when cooking.
- ✓ Calms the cooking process - Extremely quiet
- ✓ The power level and the LED light can be selected directly – touchControl
- ✓ Pleasantly quiet - motor.

Typology: ..... Wall-mounted  
 Length electrical supply cord: ..... 130.0 cm  
 Height of the chimney: ..... 582-908/568-1018 mm  
 Height of product, without chimney: ..... 46 mm  
 Net weight: ..... 17.7 kg  
 Type of control: ..... Electronic  
 Number of speed settings: ..... 3-stage + 2 intensive  
 Maximum output air extraction: ..... 416 m³/h  
 Boost position output recirculating: ..... 409 m³/h  
 Maximum output recirculating air: ..... 330 m³/h  
 Boost position air extraction: ..... 674 m³/h  
 Number of lights: ..... 2  
 Noise level: ..... 60 dB(A) re 1 pW  
 Diameter of air outlet: ..... 120 / 150 mm  
 Grease filter material: ..... Washable aluminium  
 Odour filter: ..... No  
 Air circulation: ..... Convertible  
 Optional accessories: ..... LZ53251, LZ00XXP00, LZ10FXJ05, LZ11CBI14, LZ11CXI16, LZ11FXC56, LZ11FXD51, LZ12250, LZ12350, LZ31CXB14, LZ31XXB16, LZ50660, LZ50661, LZ53250  
 Type of lamps used: ..... LED  
 Grease filter type: ..... Multilayer cassette  
 Connection Rating: ..... 143 W  
 Fuse protection: ..... 10 A  
 Voltage: ..... 220-240 V  
 Frequency: ..... 50; 60 Hz  
 Plug type: ..... India plug (6 Ampere)  
 Type: ..... Wall-mounted  
 Material body: ..... Stainless steel  
 Plug type: ..... India plug (6 Ampere)  
 Dimensions of the product, with chimney (if exists) (in): ..... x x  
 Dimensions of the packed product: ..... 23.22 x 25.59 x 26.37  
 Net weight: ..... 39.000 lbs  
 Gross weight: ..... 51.000 lbs  
 Motor location: ..... Integrated motor in hood chimney  
 No-return airflow flap: ..... Yes  
 Length electrical supply cord: ..... 130.0 cm  
 Dimensions of the product, with chimney (if exists): ..... 614-1064 x 598.0 x 500.0 mm  
 Dimensions of the packed product (HxWxD): ... 590 x 650 x 670 mm  
 Net weight: ..... 17.7 kg  
 Gross weight: ..... 23.0 kg  
 Delay Shut off modes: ..... 10 min



## iQ500, wall-mounted cooker hood, 60 cm, Stainless steel LC67BCP50I

### Design

- Box design
- For wall mounted installation
- 60 cm stainless steel Box design hood
- Appliance colour: stainless steel
- Touch control with 7-segment display

### Performance

- 3 speeds plus 2 intensive
- Extraction rate according to EN 61591 ø 15 cm:
  - max. Normal use: 417 m<sup>3</sup>/h
  - Intensive: 674 m<sup>3</sup>/h
- Extraction rate in recirculation mode:
  - Max. normal use: 304 m<sup>3</sup>/h
  - Intensive: 353 m<sup>3</sup>/h
- Noise level according to EN 60704-3 und EN 60704-2-13 exhaust air:
  - Max. normal use: 60 dB(A) re 1 pW (47 dB(A) re 20 µPa sound pressure)
  - Intensive: 71 dB(A) re 1 pW (58 dB(A) re 20 µPa sound pressure)
- Noise levels in recirculation mode:
  - Max. normal use: 71 dB(A) re 1 pW (59 dB(A) re 20 µPa sound pressure)
  - Intensive: 74 dB(A) re 1 pW (62 dB(A) re 20 µPa sound pressure)

### Comfort

- Automatic revert setting, 6 minutes
- Automatic 10 minutes after running
- Boost function
- easy to clean innerframe
- Light dimmer function
- Softlight with dimmer function
- Efficient BLDC-technology
- 2 x 1.5W LED
- Saturation display filter: grease- and charcoal filter
- Steel filter cover, dishwasher safe
- Energy Efficiency Class: A
- Average Energy Consumption: 36.1 kWh/year\*
- Blower Efficiency Class: A\*
- Lighting Efficiency Class: A\*
- Grease Filtering Efficiency Class: B\*
- Noise min./max. Normal Level: 47/60 dB

### Technical Information

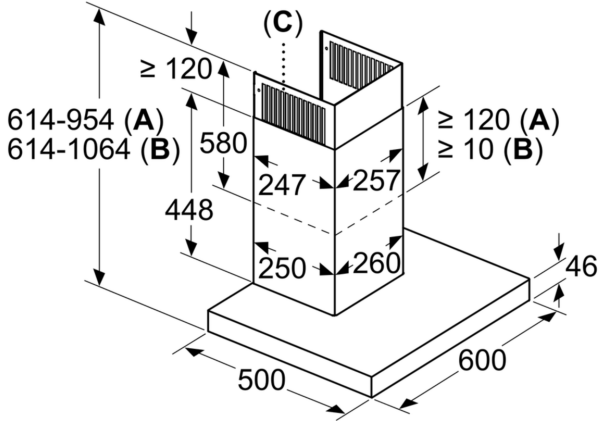
- Suitable for ducted and re-circulating operation only
- Recirculation kit or clean air kit
- Chimney hood wall fixing system
- Dimensions recirculating with CleanAir module (HxWxD):
  - 689 x 598 x 500 mm - mounting with outer chimney
  - 795-1139 x 598 x 500 mm - mounting with telescopic chimney
- Dimensions exhaust air (HxWxD): 614-954 x 598 x 500 mm

- Dimensions recirculating (HxWxD): 614-1064 x 598 x 500 mm
- Diameter pipe Ø 150 mm (Ø 120 mm enclosed)
- Total Connected load: 143 W
- Connecting cable 130 cm
- Voltage: 220 - 240 V

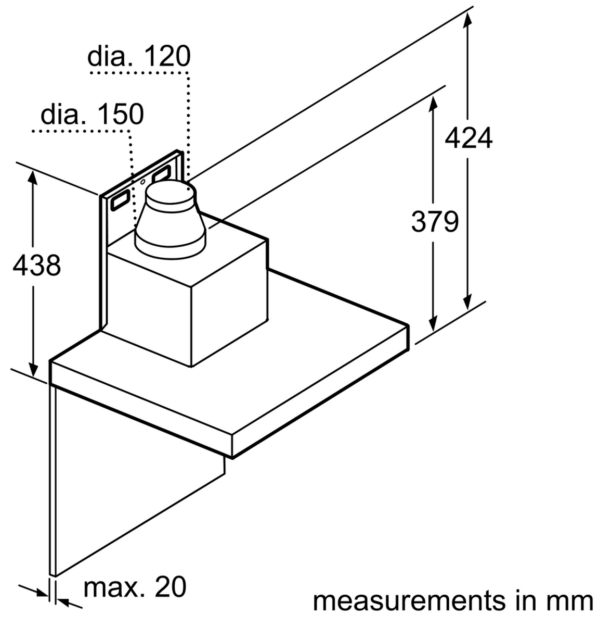
\* In accordance with the EU-Regulation No 65/2014

**iQ500, wall-mounted cooker hood, 60 cm, Stainless steel  
LC67BCP50I**

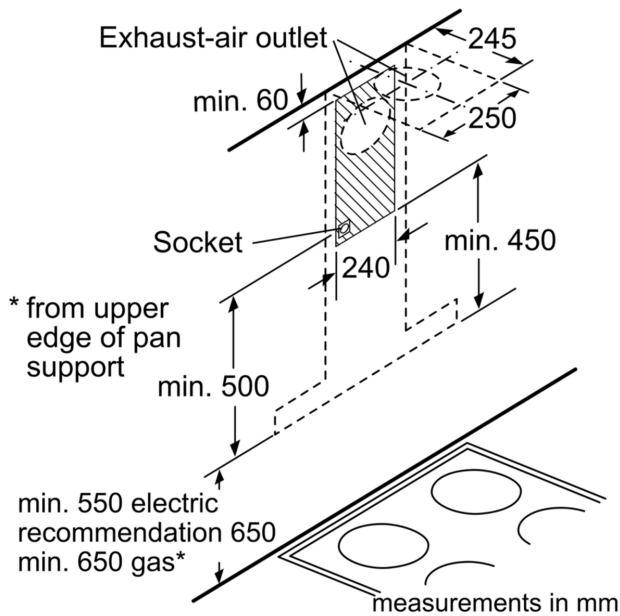
measurements in mm



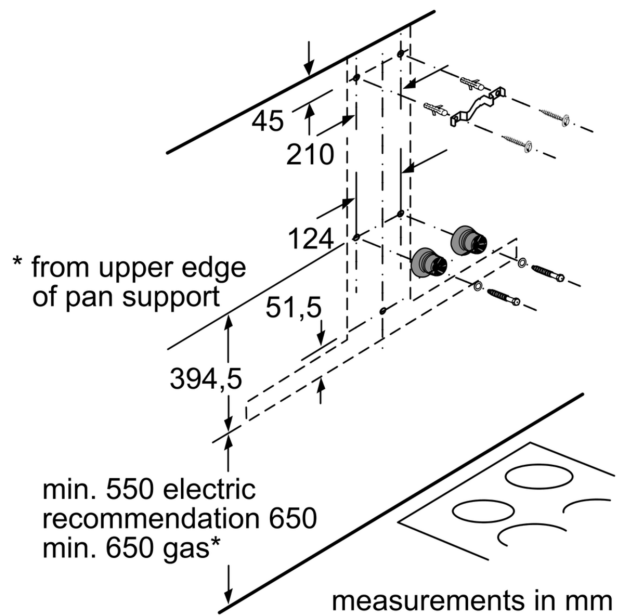
- A:** Air extraction
- B:** Air recirculation
- C:** Air outlet – slots for exhaust air to be mounted facing down



measurements in mm



measurements in mm



measurements in mm