

**iQ100, 82 x 60 cm, flat hinge
KU15RA50I**



KU20ZSX0	Attachment door, stainless steel
KF10ZAX0	Door panel with decor frame

iQ 500 undercounter fridge with handy covered fruit and vegetables compartment



Gross weight:	81.000 lbs
Built-in / Free-standing:	Built-in
Number of compressors:	1
Number of independent cooling systems:	1
Width of the appliance:	598 mm
Height:	820 mm
Depth:	548 mm
Net weight:	33.8 kg
Min. required niche size for installation (HxWxD):	.. 820 x 600 x 550 mm
Door panel options:	Not possible
Door hinge:	Right reversible
Number of Adjustable Shelves in fridge compartment:	3
Shelves for Bottles:	Yes
Frost free system:	No
Interior ventilator:	No
Reversible Door Hinge:	Yes
Length electrical supply cord:	230.0 cm
Noise level:	38 dB(A) re 1pW
Multi-Flow Air Tower:	No
Economy setting:	No
Cold technology:	1 compressor/1 cold circuit
Fast cooling switch:	No
Temperature Controlled Drawer:	No
Humidity Control Drawer:	No
Number of Door Bins - Refrigerator:	3
Door bin adjustability - Refrigerator:	No
Tilt-out door bins in fridge:	No
Gallon Storage:	Yes
Number of Gallon storage:	1
Motorized Shelf:	No
Material of the shelves:	Glas, plastic
Door opened indicator freezer:	No
Connection Rating:	90 W
Fuse protection:	6 A
Voltage:	220-240 V
Frequency:	50 Hz
Energy consumption:	0.32 kWh
Door panel options:	Not possible
Type:	Build-under
Noise level:	38 dB(A) re 1pW
Total annual energy consumption:	117.9 kWh/annum
Energy Star Qualified:	No
Plug type:	India plug (6 Ampere)
Required cutout/niche size for installation (in):	x
Dimensions of the packed product:	35.03 x 26.37 x 24.40
Net weight:	74.000 lbs



iQ100, 82 x 60 cm, flat hinge KU15RA50I

General Information

- Gross Capacity (Fridge): 139 L
- Net Capacity Fridge: 137 L
- Appliance Height: 820 mm
- Appliance Width: 598 mm
- Appliance Depth: 548 mm
- Gross Weight: 36.86
- Net Weight: 33.8

Fridge Compartment

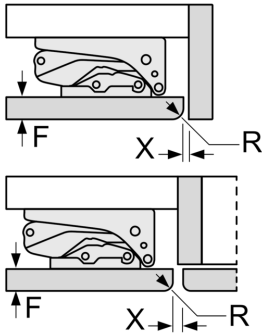
- 3 Safety Glass Shelves of which 3 are height adjustable
- Bottle holder in x-deep door tray
- Big pull out tray
- 2 vegetable containers with lid

Design and Styling

- Easy clean interior
- Interior door tray design with silver trim

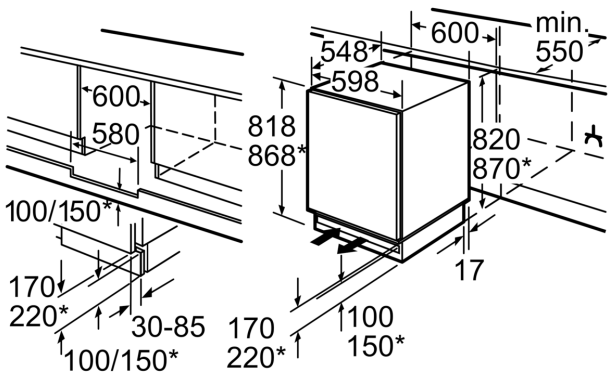
**iQ100, 82 x 60 cm, flat hinge
KU15RA50I**

measurements in mm
Recommended gap dimensions for flat hinges



F	R	X
16-19	0-3	2.5
20	0-1	3
	2-3	2.5
21	0-1	3
	2-3	2.5
22	0	4
	1	3.5
	2-3	3

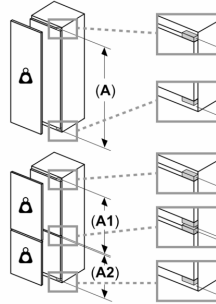
The gap dimensions recommended in the table must be adhered to in order to ensure that appliance doors do not collide with anything when they are opened, and to avoid causing damage to kitchen units.



* variable base/substructure height

Space for electrical connection next to the appliance on the left or right-hand side.
Ventilation space in the base.

measurements in mm



Maximal permissible weight of the unit fronts

Fitted unit fronts that exceed the permissible weight may cause damage and result in functional impairment of the hinges

Δ Weight

A: Appliance door height including hinges in mm

B: Undamped hinge, unit front in kg

C: Damped hinge, unit front in kg

D: Additional possible load in kg with heavy load kit

A	B	C	D
1500-1750	22	22	B+5 / C+5
720-1400	19	19	
A1	15	19	
A2	15	19	

