

iQ500
KI87SAF30I, hyperfresh plus, 276L
capacity, Built-In Bottom Freezer
Refrigerator
Siemens Built-In refrigerator -- A
premium quality product designed
and manufactured in Germany



A premium bottom freezer refrigerator with hyperfresh plus to ensure your vegetables and fruits last longer

- ✓ Anti Condensation Technology: prevents build up of moisture, suitable for high humidity regions
- ✓ Hyperfresh Plus: keeps fruits and vegetables fresh for up to 2 times longer.
- ✓ Varioshelf: makes loading easier and gives a better view of your food items.
- ✓ Energy efficiency: works efficiently for better energy consumption
- ✓ Big Box: large capacity freezer storage of frozen food of different sizes

Features

Technical Data

Built-in / Free-standing : Built-in
 Number of compressors : 1
 Number of independent cooling systems : 2
 Width of the product (mm) : 558
 Height (mm) : 1772
 Depth of the product : 545
 Net weight (kg) : 71.143
 Required niche size for installation (HxWxD) : 1775.0 x 560 x 550
 Door panel options : Not possible
 Door hinge : Right reversible
 Number of Adjustable Shelves in fridge compartment : 4
 Shelves for Bottles : No
 Frost free system : No
 Interior ventilator : Yes
 Reversible Door Hinge : Yes
 Length electrical supply cord (cm) : 230
 Noise level (dB) : 38
 Multi-Flow Air Tower : No
 Fast cooling switch : Yes
 Fast freezing switch : Yes
 Temperature Controlled Drawer : No
 Humidity Control Drawer : Yes
 Number of Door Bins - Refrigerator : 4
 Door bin adjustability - Refrigerator : No
 Tilt-out door bins in fridge : Yes
 Gallon Storage : Yes
 Number of Gallon storage : 1
 Motorized Shelf : No
 Material of the shelves : Safety glass
 Door opened indicator freezer : Yes
 Drawers with telescopic rails : none
 Automatic motor-driven ice-maker : No
 Connection Rating (W) : 90
 Current (A) : 10
 Voltage (V) : 220-240
 Frequency (Hz) : 50
 Energy consumption (kWh) : 0.69
 Freezing capacity (kg) : 5
 Storage Period in Event of Power Failure (h) : 26
 Approval certificates : CE, VDE
 Main colour of product : Not applicable
 Door panel options : Not possible
 Noise level (dB) : 38
 Energy Star Qualified : No
 Approval certificates : CE, VDE
 Plug type : India plug (6 Ampere)
 Required cutout/niche size for installation (in) : x x
 Dimensions of the packed product (in) : 72.44 x 24.40 x 25.19
 Net weight (lbs) : 157
 Gross weight (lbs) : 170

Included accessories

- 2 x cold accumulator
- 2 x egg tray
- 1 x ice cube tray



iQ500

KI87SAF30I, hyperfresh plus, 276L capacity, Built-In Bottom Freezer Refrigerator

Siemens Built-In refrigerator -- A premium quality product designed and manufactured in Germany

Features

General Data

- Gross Capacity (Total): 276 L
- Net Capacity (Total): 271L
- Net Capacity (Fridge): 210L
- Net Capacity (Freezer): 61L
- Appliance Height: 1,772 mm
- Appliance Width: 558 mm
- Appliance Depth: 545 mm
- Net Weight: 71.1 kg

Cooling System

- Automatic defrost cooling system
- Power ventilation for uniform air circulation
- Supercooling - Automatically brings down the temperature of the refrigerator to cool new groceries rapidly.
- Superfreezing - Automatically brings down the temperature of the freezer to keep cool new items rapidly.

Convenience & Safety

- Electronic controls make easier to set temperature and features of your refrigerator
- Separate temperature controls for Fridge and Freezer
- LED illumination in fridge

Fridge Compartment

- 1 hyperFresh plus box keeps food fresh for up to twice as long
- 5 Safety glass shelves
- 1 door trays (large)
- 3 door trays (small)
- 1 Dairy compartment

Freezer Compartment

- 2 pull out drawers, incl. 1 Big Box for large size storing
- Freezing capacity: 5 kg/ 24 h

Accessories

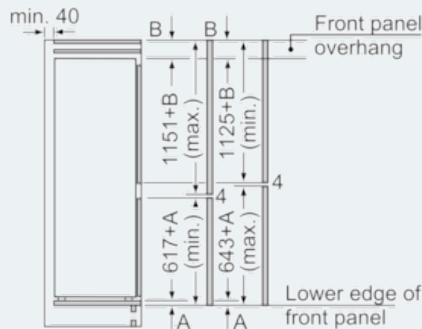
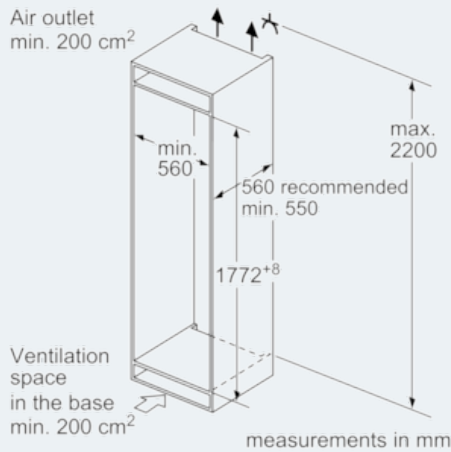
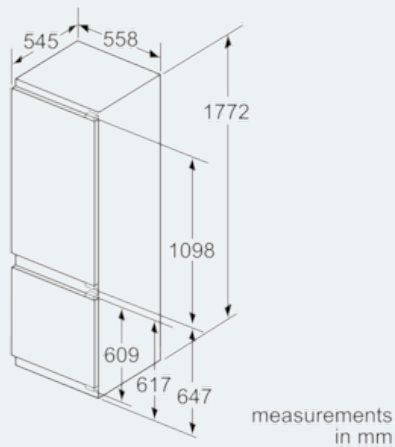
- 2 x cold accumulator(s)
- 2 x egg tray(s)
- 1 x ice cube tray(s)

iQ500

KI87SAF30I, hyperfresh plus, 276L capacity, Built-In Bottom Freezer Refrigerator

Siemens Built-In refrigerator -- A premium quality product designed and manufactured in Germany

Dimensioned drawings



The specified unit door dimensions are valid for a door gap of 4 mm.
measurements in mm