

## iQ500, Built-in bottom freezer, 177.2 x 55.8 cm KI86NAF30I



A++



A premium bottom freezer refrigerator with hyperfresh plus to ensure your vegetables and fruits last longer

- ✓ Anti Condensation Technology: prevents build up of moisture, suitable for high humidity regions
- ✓ Hyperfresh Plus: keeps fruits and vegetables fresh for up to 2 times longer.
- ✓ Varioshelf: makes loading easier and gives a better view of your food items.
- ✓ Energy efficiency: works efficiently for better energy consumption
- ✓ Big Box: large capacity freezer storage of frozen food of different sizes
- ✓ NoFrost: Prevents ice from forming, thus, saving you time and effort from defrosting.

### Features

#### Technical Data

Built-in / Free-standing : Built-in  
 Number of compressors : 1  
 Number of independent cooling systems : 2  
 Width of the product (mm) : 558  
 Height (mm) : 1772  
 Depth of the product : 545  
 Net weight (kg) : 70.637  
 Required niche size for installation (HxWxD) : 1775.0 x 560 x 550  
 Door panel options : Not possible  
 Door hinge : Right reversible  
 Number of Adjustable Shelves in fridge compartment : 4  
 Shelves for Bottles : No  
 Frost free system : Freezer  
 Interior ventilator : Yes  
 Reversible Door Hinge : Yes  
 Length electrical supply cord (cm) : 230  
 Multi-Flow Air Tower : No  
 Fast cooling switch : Yes  
 Fast freezing switch : Yes  
 Temperature Controlled Drawer : No  
 Humidity Control Drawer : Yes  
 Number of Door Bins - Refrigerator : 4  
 Door bin adjustability - Refrigerator : No  
 Tilt-out door bins in fridge : Yes  
 Gallon Storage : Yes  
 Number of Gallon storage : 1  
 Motorized Shelf : No  
 Material of the shelves : Safety glass  
 Door opened indicator freezer : Yes  
 Drawers with telescopic rails : none  
 Automatic motor-driven ice-maker : No  
 Connection Rating (W) : 90  
 Current (A) : 10  
 Voltage (V) : 220-240  
 Frequency (Hz) : 50-60  
 Storage Period in Event of Power Failure (h) : 13  
 Approval certificates : VDE  
 Main colour of product : Not applicable  
 Door panel options : Not possible  
 Energy Star Qualified : No  
 Approval certificates : VDE  
 Plug type : India plug (6 Ampere)  
 Required cutout/niche size for installation (in) : x x  
 Dimensions of the packed product (in) : 72.44 x 24.40 x 25.19  
 Net weight (lbs) : 156  
 Gross weight (lbs) : 169

#### Included accessories

- 2 x cold accumulator
- 2 x egg tray
- 1 x ice cube tray



## iQ500, Built-in bottom freezer, 177.2 x 55.8 cm KI86NAF30I

### Features

#### General Data

- Gross Capacity: 273 l
- Net Capacity (Total): 254L
- Net Capacity (Fridge): 187L
- Net Capacity (Freezer): 67L
- Dimensions (HxWxD): 177.2 cm x 55.8 cm x 54.5 cm

#### Cooling System

- Automatic defrost cooling system
- Power ventilation for uniform air circulation
- Supercooling - Automatically brings down the temperature of the refrigerator to cool new groceries rapidly.
- Superfreezing - Automatically brings down the temperature of the freezer to keep cool new items rapidly.

#### Convenience & Safety

- Electronic controls make easier to set temperature and features of your refrigerator
- Separate temperature controls for Fridge and Freezer
- LED illumination in fridge
- NoFrost - Saves you time and effort from defrosting.

#### Fridge Compartment

- 1 hyperfresh plus drawer keeps fruits and vegetables fresh for up to 2 times longer.
- 5 Safety glass shelves
- 1 door trays (large)
- 3 door trays (small)
- 1 Dairy compartment

#### Freezer Compartment

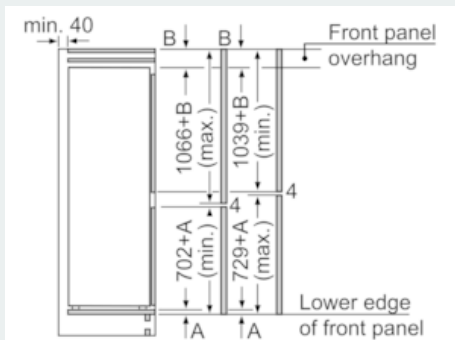
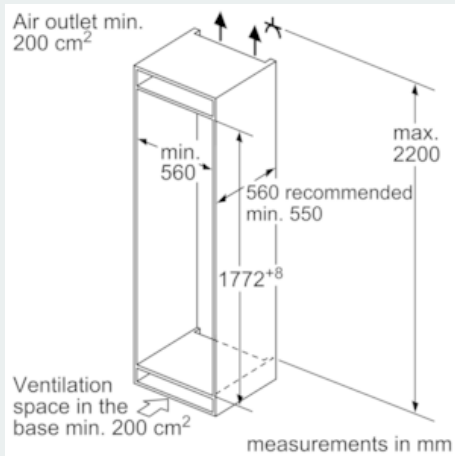
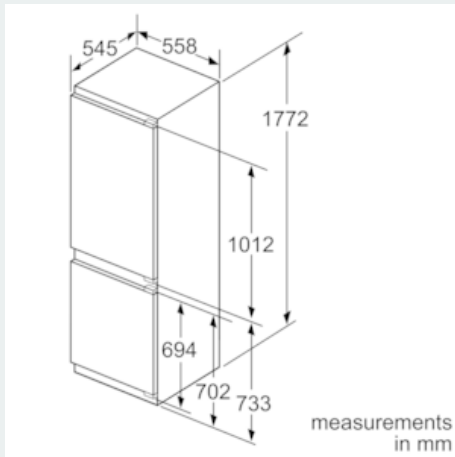
- 3 pull out drawers, incl. 1 Big Box for large size storing
- Freezing capacity: 8 kg/ 24 h

#### Accessories

- 2 x cold accumulator(s)
- 2 x egg tray(s)
- 1 x ice cube tray(s)

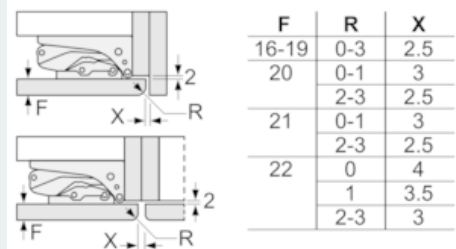
**iQ500, Built-in bottom freezer, 177.2 x 55.8 cm  
KI86NAF30I**

Dimensioned drawings



The specified unit door dimensions are valid for a door gap of 4 mm.  
measurements in mm

measurements in mm  
Recommended gap dimensions for flat hinges



| F     | R   | X   |
|-------|-----|-----|
| 16-19 | 0-3 | 2.5 |
| 20    | 0-1 | 3   |
|       | 2-3 | 2.5 |
| 21    | 0-1 | 3   |
|       | 2-3 | 2.5 |
| 22    | 0   | 4   |
|       | 1   | 3.5 |
|       | 2-3 | 3   |

The gap dimensions recommended in the table must be adhered to in order to ensure that appliance doors do not collide with anything when they are opened, and to avoid causing damage to kitchen units.