

iQ500, built-in fridge with freezer section, 177.5 x 56 cm KI82LAF30



Included accessories

- 2 x egg tray
- 1 x ice cube tray

iQ 500 coolEfficiency built-in fridge with hydroFresh Box to keep fruit and vegetables fresh up to 2 times longer and flexible varioShelf.

- ✓ Hyperfresh Plus: keeps fruits and vegetables fresh for up to 2 times longer.

Features

Technical Data

Built-in / Free-standing : Built-in
 Number of compressors : 1
 Number of independent cooling systems : 1
 Width of the appliance : 558
 Height (mm) : 1772
 Depth of the product : 545
 Net weight (kg) : 66.951
 Required niche size for installation (HxWxD) : 1775.0 x 560 x 550
 Door panel options : Not possible
 Door hinge : Right reversible
 Number of Adjustable Shelves in fridge compartment : 4
 Shelves for Bottles : No
 Frost free system : No
 Interior ventilator : No
 Reversible Door Hinge : Yes
 Length electrical supply cord (cm) : 230
 Noise level (dB) : 36
 Multi-Flow Air Tower : No
 Economy setting : No
 Cold technology : 1 compressor/1 cold circuit
 Fast cooling switch : Yes
 Temperature Controlled Drawer : No
 Humidity Control Drawer : Yes
 Number of Door Bins - Refrigerator : 4
 Door bin adjustability - Refrigerator : No
 Tilt-out door bins in fridge : Yes
 Gallon Storage : Yes
 Number of Gallon storage : 2
 No. of shelves in fridge : 5
 Motorized Shelf : No
 Material of the shelves : Glas, plastic
 Door opened indicator freezer : Yes
 Connection Rating (W) : 90
 Fuse protection (A) : 10
 Voltage (V) : 220-240
 Frequency (Hz) : 50
 Energy consumption annual (kWh/annum) - NEW (2010/30/EC) : 209.00
 Refrigerator Net capacity (l) - NEW (2010/30/EC) : 252
 Freezer Net capacity (l) - NEW (2010/30/EC) : 34
 Frost free system : No
 Freezing capacity (kg/24h) - NEW (2010/30/EC) : 3
 Storage Period in Event of Power Failure (h) : 22
 Approval certificates : CE, Ukraine, VDE
 Main colour of product : Not applicable
 Door panel options : Not possible
 Installation typology : Full-integrated
 Noise level (dB) : 36
 Energy Star Qualified : No
 Plug type : Gardy plug w/ earthing
 Required cutout/niche size for installation (in) : x x
 Dimensions of the packed product (in) : 72.44 x 24.40 x 25.19
 Net weight (lbs) : 148.000
 Gross weight (lbs) : 159.000



iQ500, built-in fridge with freezer section, 177.5 x 56 cm KI82LAF30

Features

- Internal LED lighting in fridge Interior Light at the top
- Interior door tray design with silver trim
- Touchcontrol- Electronic - 7 segment electronic control (digital readout)
- freshSense - constant temperature by intelligent sensor technology
- Door open warning signal: Acoustic door open warning

Fridge Compartment

- 5 safety glass shelves (4 height adjustable), of which Base plates, Extendable glass shelf
- 5 door bins, there of 1x dairy compartment

Freezer Compartment

- Freezing capacity: 3 kg/ 24 h
- 1 hinged freezer compartment
-
- Ice compartment suited for Pizzas

Technical Information

- Net Capacity (Total) : 286 L
- Net Capacity Fridge: 252 L
- Net Capacity Freezer: 34 L
- Right hinged door, reversible door
- Cooling Retention during Power Failure: 22 h (for both Fridge and Freezer)
- Connection value 90 W
- Nominal voltage: 220 - 240 V

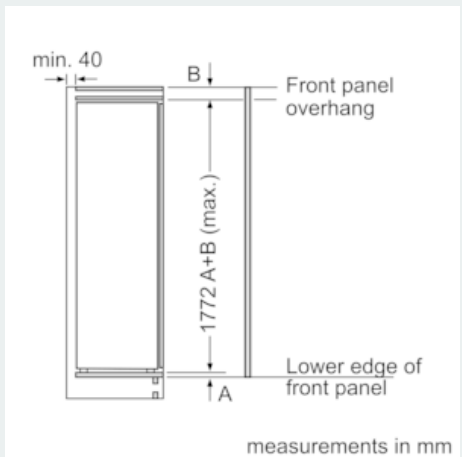
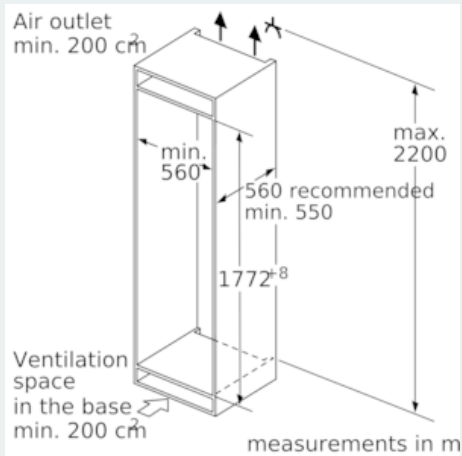
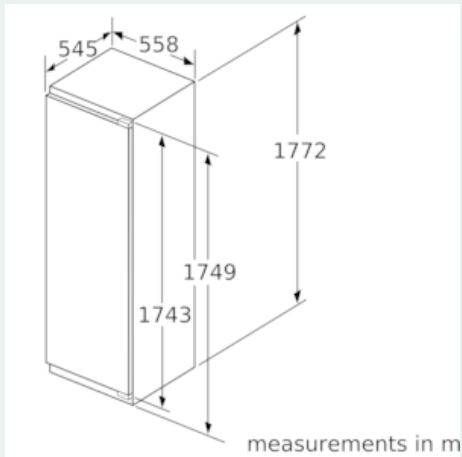
Dimensions

- Appliance Height: 1772 mm
- Appliance Width: 558 mm
- Appliance Depth: 545 mm
- Niche Dimension (HxWxD): 177.5 cm x 56 cm x 55 cm
- hydroFresh drawer on telescopic rails - keeps fruit and vegetables up to 2 x longer fresh!
- Easy access shelf - easy access and everything in sight
- Gross Capacity (Total): 288 L
- Gross Capacity Freezer: 34 L

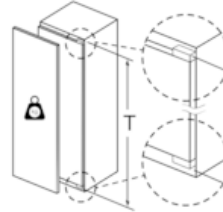
General Information

**iQ500, built-in fridge with freezer section, 177.5 x 56 cm
KI82LAF30**

Dimensioned drawings



Maximal permissible weight of the unit fronts



Fitted kitchen unit doors that exceed the permissible weight may cause damage and result in functional impairment of the hinges.

T: Includes height of appliance door Hinges in mm:	undamped hinge, Door in kg:	damped hinge, Door in kg:
1500-1750	22	22

measurements in mm

Recommended gap dimensions for flat hinges

F	R	X
16-19	0-3	2.5
20	0-1	3
	2-3	2.5
21	0-1	3
	2-3	2.5
22	0	4
	1	3.5
	2-3	3

The gap dimensions recommended in the table must be adhered to in order to ensure that appliance doors do not collide with anything when they are opened, and to avoid causing damage to kitchen units.