

iQ700, Built-in oven with steam function, 60 x 60 cm, Black HS736G3B1I



The intelligent fullSteam Plus oven with Oven Assistant with Voice Control for intuitive programme setting and roastingSensor Plus for excellent results.

- ✓ cookControl Pro – Excellent results, whatever the recipe or circumstances.
- ✓ Oven Assistant with Voice Control – Intuitively set the right programme.
- ✓ Cut down on oven cleaning – ecoClean.
- ✓ humidClean Plus - For fast cleaning dirt is softened beforehand by vaporizing soapy water. It can then be removed more easily.
- ✓ fullSteam Plus – Fast and healthy steam-cooking.

Accessories

1 x grid, 1 x universal pan, 1 x steam container, size XL, punched, 1 x Steam container, unpunched, size M

Optional accessories

HZ32WA00 Wireless food thermometer, HZ530000 2 multipurpose pans, slim size, HZ531010 Baking tray, non-stick ceramic coated, HZ532010 Universal pan, non-stick ceramic coated, HZ617000 Pizza pan, enamelled, HZ629070 Air Fry & Grill tray, HZ631070 Baking tray, enamelled, HZ632070 Multipurpose pan, enamelled, HZ633001 Lid for professional pan, enamelled, HZ633070 Professional pan, enamelled, HZ633073 Professional pan, enamelled, HZ635000 AirFry & Grill Set, HZ636000 Glass pan, HZ638D00 Full ext rails, level independent, steam, HZ664000 Baking and roasting grid (steam), HZ66D52 2 steamcontainer(punched/unpunched)sizeM, HZ66X650 Cover Strip, HZ915003 Glass roasting dish, 5,4 L

Technical specifications

Gross weight: 95.000 lbs
 Built-in / Free-standing: Built-in
 Door opening: Drop down
 Min. required niche size for installation (HxWxD): 585-595 x 560-568 x 550 mm
 Dimensions: 595 x 594 x 548 mm
 Dimensions of the packed product (HxWxD): ... 660 x 660 x 690 mm
 Control Panel Material:Glass
 Door Material:Glass
 Net weight: 40.6 kg
 Length electrical supply cord: 120.0 cm
 Heating Types:Defrost, Steam, Dough proving, Reheating, 4D hot air, Full width grill, Hotair gentle, Half width grill, Conventional heat, Conventional heat gentle, Pizza setting, low temperature cooking, Deep-frozen food special, Bottom heat, Hot air grilling, pre-heating, warming
 Time-setting Options:Start and Stop
 Fuse protection: 16 A
 Voltage:220-240 V
 Frequency:50; 60 Hz
 Plug type:India plug (16 Ampere)
 Energy input: Electric
 Fuse protection:16 A
 Voltage:220-240 V
 Frequency:50; 60 Hz
 Plug type:India plug (16 Ampere)
 Dimensions of the packed product: 25.98 x 25.98 x 27.16
 Net weight: 90.000 lbs
 Included accessories: 1 x grid, 1 x universal pan, 1 x steam container, punched, size XL, 1 x Steam container, punched, size M, 1 x Steam container, unpunched, size M



iQ700, Built-in oven with steam function, 60 x 60 cm, Black HS736G3B1I

Heating Functions

- Temperature range 30 °C - 250 °C
- Cavity volume: 71 l

Hook-in racks / rails

Design

- Cavity inner surface: enamel anthracite

Colour display: Full Color

- Ecolyse features: back panel
- hydrolyse program

Comfort

- LED display control (red)
- electronic clock with LED display
- Oven door with Drop down door, soft closing, soft opening
- Rapid heating-up
- coolStart
- Rapid heating-up: automatic
- Tank empty indicator
- Location of the steam generator is outside of the cavity
- Integral cooling fan
- HomeConnect ready on WLAN

Accessories

- 1 x Steam container, punched, size M, 1 x Steam container, unpunched, size M, 1 x grid, 1 x steam container, punched, size XL, 1 x universal pan

Connecting cable: 120 cm

- Child lock
- Automatic safety switch off residual heat indicator Start-/Stop button door contact switch

Technical Information

- Length of mains cable: 120 cm
- Nominal voltage: 220 - 240 V
- Total connected load electric: 3.6 KW
- Energy efficiency rating (acc. EU Nr. 65/2014): A+(at a range of energy efficiency classes from A+++ to D)
- Energy consumption per cycle in conventional mode:0.87 kWh
- Energy consumption per cycle in fan-forced convection mode:0.69 kWh
- Number of cavities: 1 Heat source: electrical Cavity volume:71 l
- Energy efficiency rating (acc. EU Nr. 65/2014):A+(at a range of energy efficiency classes from A+++ to D)
- Energy consumption per cycle in conventional mode:0.87 kWh
- Energy consumption per cycle in fan-forced convection mode:0.69 kWh
- Number of cavities: 1 Heat source: electrical Cavity volume:71 l

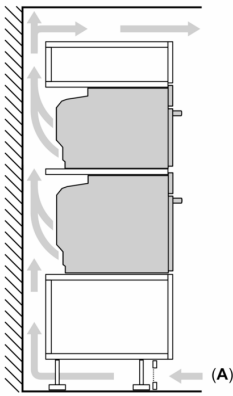
Dimensions:

- Appliance dimension (hxwxd): 595 mm x 594 mm x 548 mm

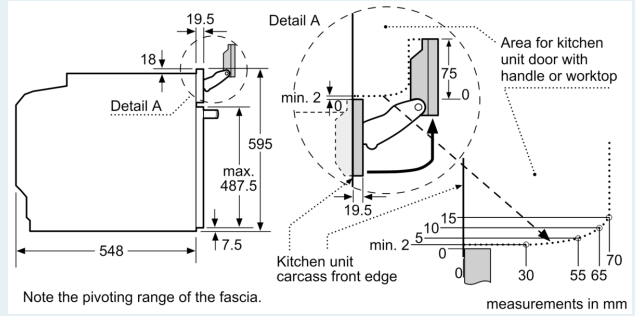
- Required niche size for installation (HxWxD): 585 mm - 595 mm x 560 mm - 568 mm x 550 mm
- Please reference the built-in dimensions provided in the installation drawing

iQ700, Built-in oven with steam function, 60 x 60 cm, Black HS736G3B1I

Installing two appliances on top of each other
Air exchange



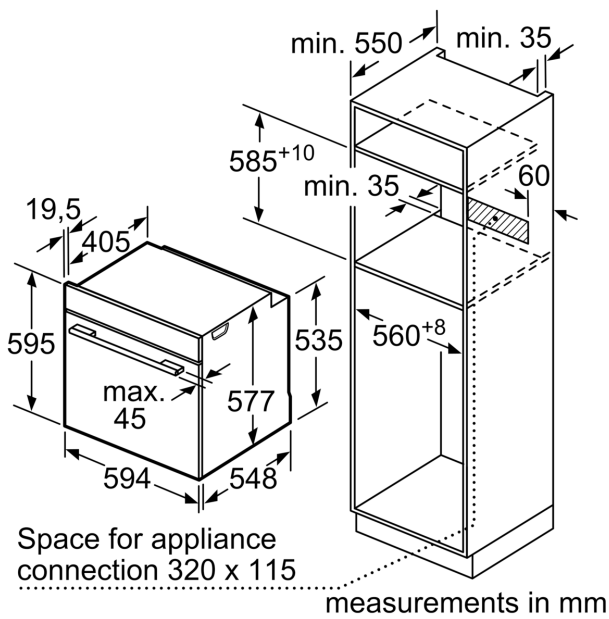
A: Air inlet $\geq 200 \text{ cm}^2$



Note the pivoting range of the fascia.

measurements in mm

If the appliance will be installed underneath a hob, the following worktop thicknesses (including substructure if necessary) must be taken into account.



Space for appliance connection 320 x 115

measurements in mm

| Hob type | min. worktop thickness | |
|----------------------------|------------------------|-------|
| | fitted | flush |
| Induction hob | 37 mm | 38 mm |
| Full surface Induction hob | 47 mm | 48 mm |
| Gas hob | 30 mm | 38 mm |
| Electric hob | 27 mm | 30 mm |

