

**iQ700, Built-in oven with steam function, 60 x 60 cm, Stainless steel
HS636GDS11**



Accessories

1 x enamel baking tray, 1 x grid, 1 x universal pan, punched, size XL, 1 x steam container, unpunched, size S

Optional accessories

HZ36D613 Steam container, unpunched, size S, HZ36D613G Steam container, punched, size S, HZ531010 Baking tray, non-stick ceramic coated, HZ532010 Universal pan, non-stick ceramic coated, HZ617000 Pizza pan, enamelled, HZ625071 Grill tray, enamelled, HZ631070 Baking tray, enamelled, HZ632070 Multipurpose pan, enamelled, HZ633001 Lid for professional pan, enamelled, HZ633070 Professional pan, enamelled, HZ636000 Glass pan, HZ638D10 1 level telescopic rail, full ext, steam, HZ638D30 3 level telescopic rails, full ext, steam, HZ664000 Baking and roasting grid (steam), HZ66X650 Cover Strip, HZ915003 Glass roasting dish, 5,4 L

The oven with fullSteam function and sensors for optimum results.

- ✓ Reach the required baking temperature sooner - fastPreheat. No need to preheat the oven for deep frozen food - coolStart.
- ✓ Cook healthy, gently and naturally – fullSteam.
- ✓ cookControl Plus: guaranteed success for numerous dishes.
- ✓ roastingSensor Plus – Three-point thermometer for excellent roasts every time.
- ✓ TFT Touchdisplay: user-friendly menu navigation with good display features.

Technical specifications

Gross weight: 95.000 lbs
 Built-in / Free-standing: Built-in
 Door opening: Drop down
 Min. required niche size for installation (HxWxD): 585-595 x 560-568 x 550 mm
 Dimensions: 595 x 594 x 548 mm
 Dimensions of the packed product (HxWxD): ... 660 x 660 x 690 mm
 Control Panel Material: Stainless steel
 Door Material: Glass
 Net weight: 40.7 kg
 Length electrical supply cord: 120.0 cm
 Heating Types: Defrost, Steam, Dough proving, Reheating, 4D hot air, Full width grill, Hot Air-Eco, Half width grill, Conventional heat, Conventional heat ECO, Pizza setting, low temperature cooking, Deep-frozen food special, Bottom heat, Hot air grilling, pre-heating, warming
 Time-setting Options: Start and Stop
 Fuse protection: 16 A
 Voltage: 220-240 V
 Frequency: 60; 50 Hz
 Plug type: India plug (16 Ampere)
 Energy input: Electric
 Fuse protection: 16 A
 Voltage: 220-240 V
 Frequency: 60; 50 Hz
 Plug type: India plug (16 Ampere)
 Dimensions of the packed product: 25.98 x 25.98 x 27.16
 Net weight: 90.000 lbs
 Included accessories: 1 x enamel baking tray, 1 x grid, 1 x universal pan, 1 x steam container, punched, size S, 1 x steam container, punched, size XL, 1 x steam container, unpunched, size S



iQ700, Built-in oven with steam function, 60 x 60 cm, Stainless steel HS636GDS1I

Heating Functions

- Combi-steam oven with 13 heating methods:
- 4D hot air
- Hot Air-Eco Conventional heat Conventional heat ECO hot air grilling Full width grill Half width grill pizza setting Deep-frozen food special bottom heat Soft steaming Plate warming setting Hold warm setting

Design

- LED display control (red)
- Full-glass inner door
- Rotary control knob
- Bar handle

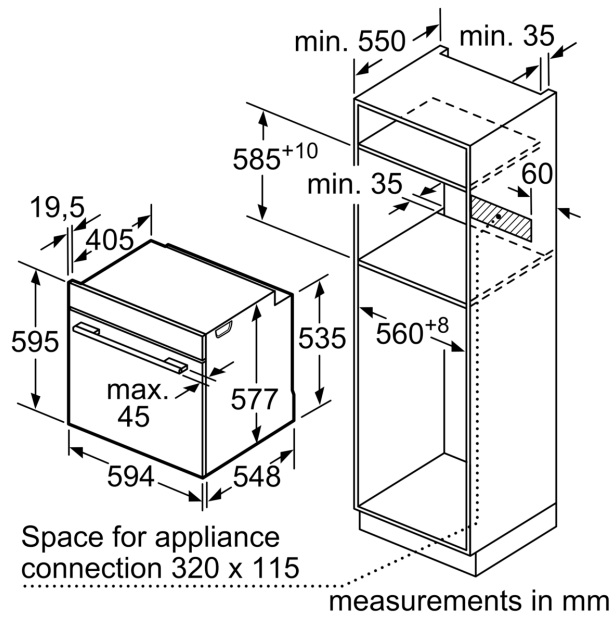
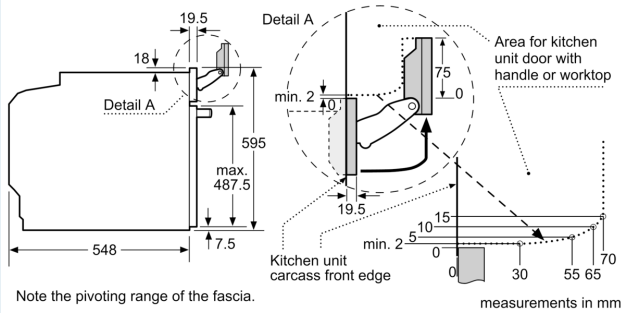
Comfort

- Cavity volume: 71 l
- Temperature range 30 °C - 250 °C
- Ecolyse features: back panel
- electronic clock with LED display
- Oven door with Drop down door, soft closing, soft opening
- Rapid heating-up
- Water tank capacity 1 l
- 1 x enamel baking tray, 1 x steam container, punched, size S, 1 x steam container, punched, size XL, 1 x steam container, unpunched, size S, 1 x grid, 1 x universal pan
- Integral cooling fan
- Child lock
- Automatic safety switch off residual heat indicator Start-/Stop button door contact switch
- Number of glass panes: 3 PC
- Please reference the built-in dimensions provided in the installation drawing

Technical Information

- Total connected load electric: 3.6 KW
- Appliance dimension (hxwxd): 595 mm x 594 mm x 548 mm
- Required niche size for installation (HxWxD): 585 mm - 595 mm x 560 mm - 568 mm x 550 mm

iQ700, Built-in oven with steam function, 60 x 60 cm, Stainless steel HS636GDS1I



If the appliance will be installed underneath a hob, the following worktop thicknesses (including substructure if necessary) must be taken into account.

Hob type	min. worktop thickness	
	fitted	flush
Induction hob	37 mm	38 mm
Full surface Induction hob	47 mm	48 mm
Gas hob	30 mm	38 mm
Electric hob	27 mm	30 mm

