

iQ700, Built-in oven with steam function, 60 cm, Stainless steel HS636GDS1



- ✓ Reach the required baking temperature sooner - fastPreheat. No need to preheat the oven for deep frozen food - coolStart.
- ✓ Cook healthy, gently and naturally – fullSteam.
- ✓ cookControl Plus: guaranteed success for numerous dishes.
- ✓ roastingSensor Plus: simply reliable roasting.
- ✓ TFT Touchdisplay: user-friendly menu navigation with good display features.

Features

Technical Data

Color / Material Front : Stainless steel
 Built-in / Free-standing : Built-in
 Door opening : Drop down
 Required niche size for installation (HxWxD) : 585-595 x 560-568 x 550
 Dimensions : 595 x 594 x 548
 Dimensions of the packed product (HxWxD) (mm) : 675 x 660 x 690
 Control Panel Material : Stainless steel
 Door Material : Glass
 Net weight (kg) : 41.918
 Approval certificates : CE, VDE
 Length electrical supply cord (cm) : 120
 Cooking method : Bottom heat, Conventional heat, Defrost, fermentation, Full width grill, Half width grill, Hot Air-Eco, Hot air grilling, low temperature cooking, Pizza setting, pre-heating, Regeneration, Steam 100%, warming
 Current (A) : 16
 Voltage (V) : 220-240
 Frequency (Hz) : 60; 50
 Plug type : Gardy plug w/ earthing
 Approval certificates : CE, VDE
 Color / Material Front : Stainless steel
 Energy input : Electric
 Current (A) : 16
 Voltage (V) : 220-240
 Frequency (Hz) : 60; 50
 Approval certificates : CE, VDE
 Plug type : Gardy plug w/ earthing
 Net weight (lbs) : 92.000
 Gross weight (lbs) : 96.000



iQ700, Built-in oven with steam function, 60 cm, Stainless steel HS636GDS1

Features

Design

Heating Functions

- Cavity volume: 71 l
- Combi-steam oven with 13 heating methods: 4D hot air Hot Air-Eco Conventional heat Conventional heat ECO hot air grilling Full width grill Half width grill pizza setting Deep-frozen food special bottom heat Soft steaming Plate warming setting Hold warm setting
- Additional heating methods with steam: Steam, Reheating, Dough proving, Defrost
- Temperature range 30 °C - 250 °C
- Cavity inner surface: Enamel anthracite
- Ecolyse features: back panel
- LED display control (red)
- Additional functions: Descaling programme autom. boiling point detection drying function
- Oven door with Drop down door, soft closing, soft opening
- Supporting systems: Dish categories
- Electronic clock timer
- Rapid heating-up
- Rapid heating-up: automatic
- Water tank capacity 1 l
- Tank empty indicator
- Location of the steam generator is outside of the cavity
- Integral cooling fan

Hook-in racks / rails

- Please reference the built-in dimensions provided in the installation drawing
- 1 x universal pan, 1 x enamel baking tray, 1 x grid, 1 x steam container, punched, size XL, 1 x steam container, punched, size S, 1 x steam container, unpunched, size S
- Child lock Automatic safety switch off residual heat indicator Start-/ Stop button door contact switch
- Length of mains cable: 120 cm

Technical Information

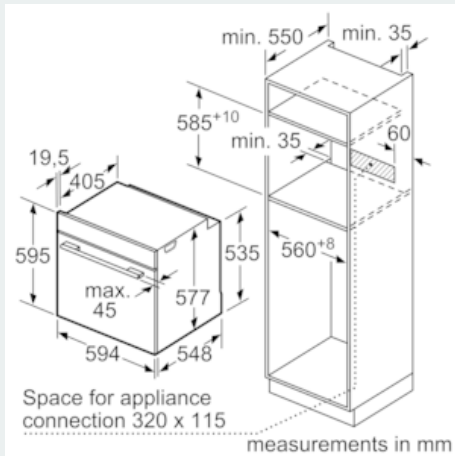
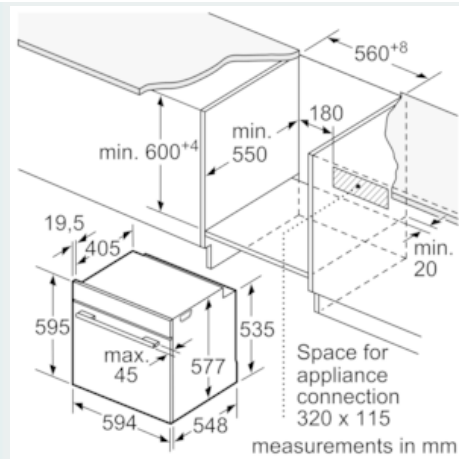
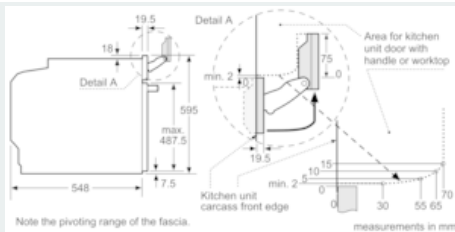
- Appliance dimension (hxwx): 595 mm x 594 mm x 548 mm
- Required niche size for installation (HxWxD): 585 mm - 595 mm x 560 mm - 568 mm x 550 mm

Connecting cable: 120 cm

- Total connected load electric: 3.6 KW

iQ700, Built-in oven with steam function, 60 cm, Stainless steel HS636GDS1

Dimensioned drawings



If the appliance will be installed underneath a hob, the following worktop thicknesses (including substructure if necessary) must be taken into account.

Hob type	min. worktop thickness	
	fitted	flush
Induction hob	37 mm	38 mm
Full surface Induction hob	47 mm	48 mm
Gas hob	30 mm	38 mm
Electric hob	27 mm	30 mm