

## iQ700, Built-in oven with microwave function, 60 x 60 cm, Stainless steel HM676G0S1I



- ✓ varioSpeed: reduce cooking times by up to 50%.
- ✓ Reach the required baking temperature sooner - fastPreheat. No need to preheat the oven for deep frozen food - coolStart.
- ✓ activeClean: the automatic system for effortless cleaning.
- ✓ cookControl Plus: guaranteed success for numerous dishes.
- ✓ TFT Touchdisplay: user-friendly menu navigation with good display features.

### Features

#### Technical Data

Type of micro-wave oven : MW-Combi  
 Type of control : Electronic  
 Color / Material Front : Stainless steel  
 Dimensions : 595 x 594 x 548 mm  
 Cavity dimensions : 357.0 x 480 x 392.0 mm  
 Length electrical supply cord : 120.0 cm  
 Net weight : 44.9 kg  
 Gross weight : 48.3 kg  
 Maximum micro-wave power : 800 W  
 Number of Power Levels : 5  
 Turntable : No  
 Cavity material : Enameled  
 Door opening : Handle  
 Clock : Yes  
 Included accessories : 1 x enamel baking tray, 1 x combination grid, 1 x universal pan  
 Main colour of product : Stainless steel  
 Height of the appliance : 595 mm  
 Width of the appliance : 594 mm  
 Depth of the product : 548 mm  
 Maximum micro-wave power : 800 W  
 Connection Rating : 3600 W  
 Fuse protection : 16 A  
 Voltage : 220-240 V  
 Frequency : 50; 60 Hz  
 Plug type : India plug (16 Ampere)  
 Color / Material Front : Stainless steel  
 Required cutout/niche size for installation (in) : x  
 Dimensions of the packed product : 26.37 x 26.37 x 26.77  
 Net weight : 99.000 lbs  
 Gross weight : 106.000 lbs  
 Included accessories : 1 x enamel baking tray, 1 x combination grid, 1 x universal pan

### Included accessories

- 1 x enamel baking tray
- 1 x combination grid
- 1 x universal pan



## iQ700, Built-in oven with microwave function, 60 x 60 cm, Stainless steel HM676G0S1I

### Features

#### Heating Functions

- Oven with microwave with 13 heating methods:
- 4D hot air
- Hot Air-Eco Conventional heat Conventional heat ECO hot air grilling Full width grill Half width grill pizza setting Deep-frozen food special bottom heat Soft steaming Plate warming setting Hold warm setting
- Additional heating methods with microwave: microwave, combi microwave variable
- Temperature range 30 °C - 300 °C
- Cavity volume: 67 l
- 

#### Design

- Cavity inner surface: enamel anthracite

#### Colour display: Full Color

- Pyrolytic self-cleaning function

#### Comfort

- LED display control (red)
- electronic clock with LED display
- Oven door with Drop down door, soft closing, soft opening
- Rapid heating-up
- Integral cooling fan
- Electronic door lock
- Child lock Automatic safety switch off residual heat indicator Start-/ Stop button door contact switch

#### Accessories

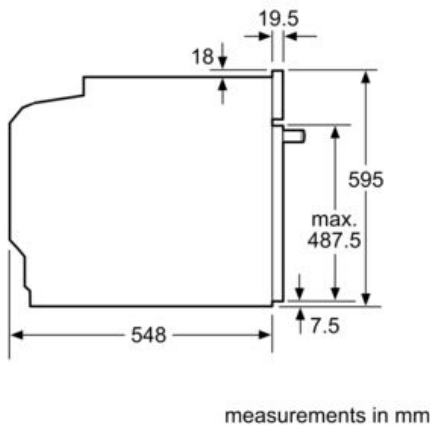
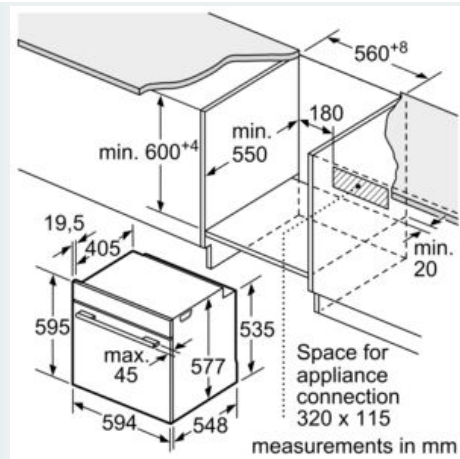
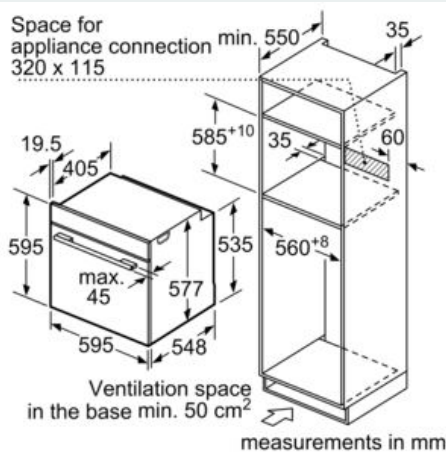
- 1 x enamel baking tray, 1 x combination grid, 1 x universal pan

#### Technical Information

- Length of mains cable: 120 cm
- Nominal voltage: 220 - 240 V
- Total connected load electric: 3.6 KW
- Appliance dimension (hxwxd): 595 mm x 594 mm x 548 mm
- Required niche size for installation (HxWxD): 585 mm - 595 mm x 560 mm - 568 mm x 550 mm
- Please reference the built-in dimensions provided in the installation drawing

**iQ700, Built-in oven with microwave function, 60 x 60 cm, Stainless steel HM676G0S1I**

Dimensioned drawings



If the appliance will be installed underneath a hob, the following worktop thicknesses (including substructure if necessary) must be taken into account.

Hob type	min. worktop thickness	
	fitted	flush
Induction hob	37 mm	38 mm
Full surface Induction hob	47 mm	48 mm
Gas hob	30 mm	38 mm
Electric hob	27 mm	30 mm