

## iQ700, Built-in oven with microwave function, 60 x 60 cm, Stainless steel HM676G0S1



- ✓ varioSpeed: reduce cooking times by up to 50%.
- ✓ Reach the required baking temperature sooner - fastPreheat. No need to preheat the oven for deep frozen food - coolStart.
- ✓ activeClean: the automatic system for effortless cleaning.
- ✓ cookControl Plus: guaranteed success for numerous dishes.
- ✓ TFT Touchdisplay: user-friendly menu navigation with good display features.

Type of micro-wave oven: ..... Microwave combination

Type of control: ..... Electronic

Dimensions: ..... 595 x 594 x 548 mm

Cavity dimensions: ..... 357.0 x 480 x 392.0 mm

Length electrical supply cord: ..... 120.0 cm

Net weight: ..... 43.8 kg

Gross weight: ..... 47.0 kg

Maximum microwave power: ..... 800 W

Number of Power Levels: ..... 5

Turntable: ..... No

Cavity material: ..... Enamelled

Door opening: ..... Handle

Clock: ..... Yes

Included accessories: ..... 1 x enamel baking tray, 1 x combination grid, 1 x universal pan

Height of the appliance: ..... 595 mm

Width of the appliance: ..... 594 mm

Depth: ..... 548 mm

Maximum microwave power: ..... 800 W

Connection Rating: ..... 3600 W

Fuse protection: ..... 16 A

Voltage: ..... 220-240 V

Frequency: ..... 60; 50 Hz

Plug type: ..... Gardy plug w/ earthing

Required cutout/niche size for installation (in): ..... x

Dimensions of the packed product: ..... 26.37 x 26.37 x 26.77

Net weight: ..... 97.000 lbs

Gross weight: ..... 104.000 lbs

1 x enamel baking tray, 1 x combination grid, 1 x universal pan

HZ327000 Baking stone, HZ531010 Baking tray, non-stick ceramic coated, HZ532010 Universal pan, non-stick ceramic coated, HZ617000 Pizza pan, enamelled, HZ625071 Grill tray, enamelled, HZ631070 Baking tray, enamelled, HZ632070 Multipurpose pan, enamelled, HZ633001 Lid for professional pan, enamelled, HZ633070 Professional pan, enamelled, HZ634080 Baking and roasting grid (microwave), HZ636000 Glass pan, HZ664000 Baking and roasting grid (steam), HZ66X650 Cover Strip, HZ915003 Glass roasting dish, 5,4 L, HZG0AS00 Connecting cable 3m



## iQ700, Built-in oven with microwave function, 60 x 60 cm, Stainless steel HM676G0S1

### Design

#### Heating Functions

- Cavity volume: 67 l
- Oven with microwave with 13 heating methods:
- 4D hot air
- Hot Air-Eco Conventional heat Conventional heat ECO hot air grilling Full width grill Half width grill pizza setting Deep-frozen food special bottom heat Soft steaming Plate warming setting Hold warm setting
- Additional heating methods with microwave: microwave, combi microwave variable
- Cavity inner surface: enamel anthracite
- electronic clock with LED display
- Integral cooling fan
- 1 x universal pan, 1 x enamel baking tray, 1 x combination grid
- Oven door with Drop down door, soft closing, soft opening
- Rapid heating-up
- Length of mains cable: 120 cm
- Rapid heating-up: automatic
- Please reference the built-in dimensions provided in the installation drawing

#### Hook-in racks / rails

- Electronic door lock
- Child lock Automatic safety switch off residual heat indicator Start-/Stop button door contact switch
- Pyrolytic self-cleaning function

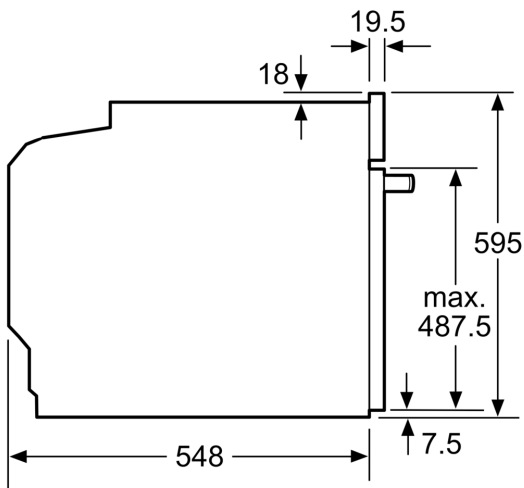
#### Accessories

- Appliance dimension (hxwxd): 595 mm x 594 mm x 548 mm
- Required niche size for installation (HxWxD): 585 mm - 595 mm x 560 mm - 568 mm x 550 mm

#### Connecting cable: 120 cm

- Total connected load electric: 3.6 KW

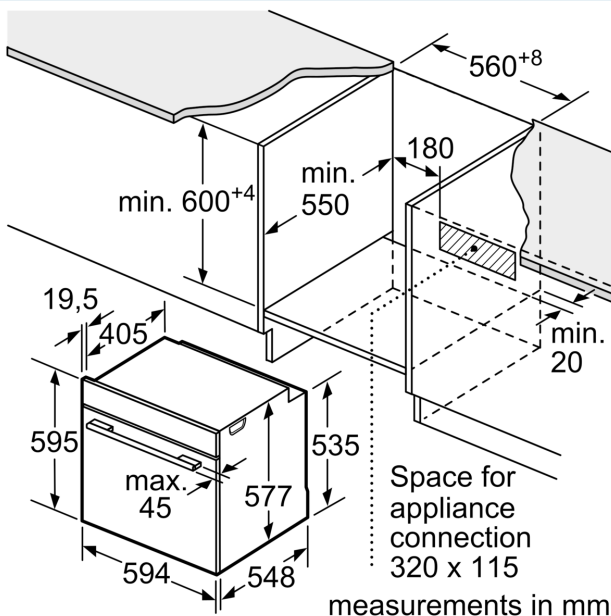
**iQ700, Built-in oven with  
microwave function, 60 x 60 cm,  
Stainless steel  
HM676G0S1**



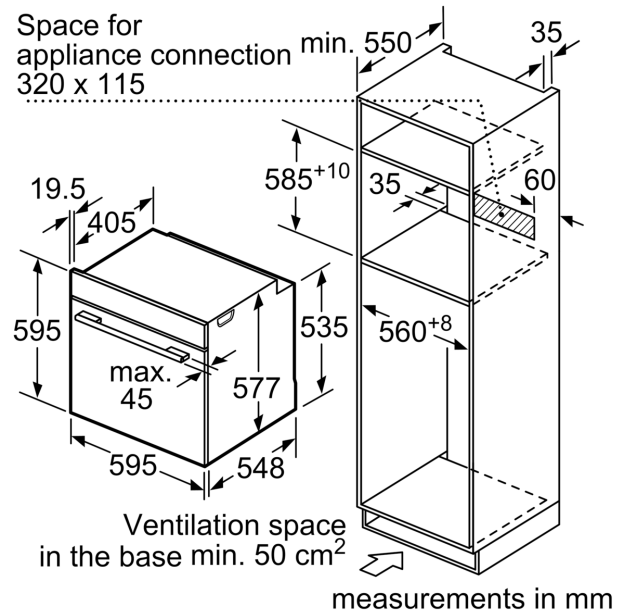
measurements in mm

If the appliance will be installed underneath a hob, the following worktop thicknesses (including substructure if necessary) must be taken into account.

Hob type	min. worktop thickness	
	fitted	flush
Induction hob	37 mm	38 mm
Full surface Induction hob	47 mm	48 mm
Gas hob	30 mm	38 mm
Electric hob	27 mm	30 mm



measurements in mm



measurements in mm