

## iQ700, Built-in oven, 60 x 60 cm, Black HB978GNB1B



- ✓ cookControl Pro – Excellent results, whatever the recipe or circumstances.
- ✓ Oven Assistant with Voice Control – Intuitively set the right programme.
- ✓ humidClean Plus - For fast cleaning dirt is softened beforehand by vaporizing soapy water. It can then be removed more easily.
- ✓ Home Connect with Remote Control and Monitoring – Unlock the full potential of your smart oven.
- ✓ bakingSensor Plus and roastingSensor Plus – Perfect baking and roasting results.

### 2 x combination grid, 1 x universal pan

HZ327000 Baking stone, HZ32WA00 Wireless food thermometer, HZ531010 Baking tray, non-stick ceramic coated, HZ532010 Universal pan, non-stick ceramic coated, HZ617000 Pizza pan, enamelled, HZ629070 Air Fry & Grill tray, HZ631070 Baking tray, enamelled, HZ632070 Multipurpose pan, enamelled, HZ633001 Lid for professional pan, enamelled, HZ633070 Professional pan, enamelled, HZ633073 Professional pan, enamelled, HZ634000 Baking and roasting grid (standard), HZ635000 AirFry & Grill Set, HZ638070 Full ext rails, level independent, pyro, HZ664000 Baking and roasting grid (steam), HZ66X650 Cover Strip, HZ6BMA00 Assembly kit for vertical installation, HZ915003 Glass roasting dish, 5,4 L

### Technical Specifications

Gross weight:	42.9 kg
Built-in / Free-standing:	Built-in
Integrated Cleaning system:	Pyrolytic+Hydrolytic
Min. required niche size for installation (HxWxD):	585-595 x 560-568 x 550 mm
Dimensions:	595 x 594 x 548 mm
Dimensions of the packed product (HxWxD):	670 x 670 x 680 mm
Control Panel Material:	Glass
Door Material:	Glass
Net weight:	40.5 kg
Usable volume of cavity:	71 l
Heating Types:	.4D hot air, Full width grill, Hotair gentle, Half width grill, Conventional heat, Conventional heat gentle, Pizza setting, low temperature cooking, Deep-frozen food special, Bottom heat, Hot air grilling, pre-heating, warming
Number of interior lights:	1
Length electrical supply cord:	120.0 cm
Interior Lights - cavity 1:	1
Pull-out system:	Level-independent clip rails - for safe insertion and removal of accessories on any level
Included accessories:	2 x combination grid, 1 x universal pan
Broil Element Wattages cavity 1:	2800 W
Convection Element Wattages cavity 1:	2200 W
Energy efficiency rating:	A+: efficient
Energy consumption per cycle conventional (2010/30/EC):	0.87 kWh/cycle
Energy consumption per cycle forced air convection (2010/30/EC):	0.69 kWh/cycle
Energy efficiency index (2010/30/EC):	81.2 %
Connection Rating:	3600 W
Fuse protection:	16 A
Voltage:	220-240 V
Frequency:	50; 60 Hz
Plug type:	No plug
Energy input:	Electric
Required cutout/niche size for installation (in):	x
Dimensions of the packed product:	26.37 x 26.37 x 26.77
Net weight:	89.000 lbs
Gross weight:	95.000 lbs
Length electrical supply cord:	120.0 cm
Net weight:	40.5 kg



## iQ700, Built-in oven, 60 x 60 cm, Black HB978GNB1B

### Heating Functions

- Temperature range 30 °C - 300 °C
- Cavity volume: 71 l

### Hook-in racks / rails

- full extension, pyrolytic proof, 1 Clip-on rail, Detend function

### Design

- Black Steel Design
- Cavity inner surface: enamel anthracite

### Colour display: Full Color

- Pyrolytic self-cleaning function
- hydrolyse program

### Comfort

- LED display control (red)
- electronic clock with LED display
- Oven door with Drop down door, soft closing, soft opening
- Supporting systems: Dish categories
- Rapid heating-up
- coolStart
- Rapid heating-up: automatic
- Integral cooling fan
- HomeConnect ready on WLAN

### Accessories

- 2 x combination grid, 1 x universal pan

### Connecting cable: 120 cm

- Electronic door lock
- Child lock Automatic safety switch off residual heat indicator Start-/Stop button door contact switch

### Technical Information

- Length of mains cable: 120 cm
- Nominal voltage: 220 - 240 V
- Total connected load electric: 3.6 KW
- Energy efficiency rating (acc. EU Nr. 65/2014): A+(at a range of energy efficiency classes from A+++ to D)
- Energy consumption per cycle in conventional mode:0.87 kWh
- Energy consumption per cycle in fan-forced convection mode:0.69 kWh
- Number of cavities: 1 Heat source: electrical Cavity volume:71 l
- Energy efficiency rating (acc. EU Nr. 65/2014):A+(at a range of energy efficiency classes from A+++ to D)
- Energy consumption per cycle in conventional mode:0.87 kWh
- Energy consumption per cycle in fan-forced convection mode:0.69 kWh
- Number of cavities: 1 Heat source: electrical Cavity volume:71 l

### Dimensions:

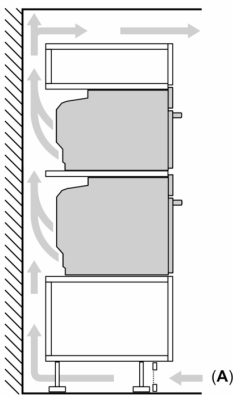
- Appliance dimension (hxwxd): 595 mm x 594 mm x 548 mm
- Required niche size for installation (HxWxD): 585 mm - 595 mm x

560 mm - 568 mm x 550 mm

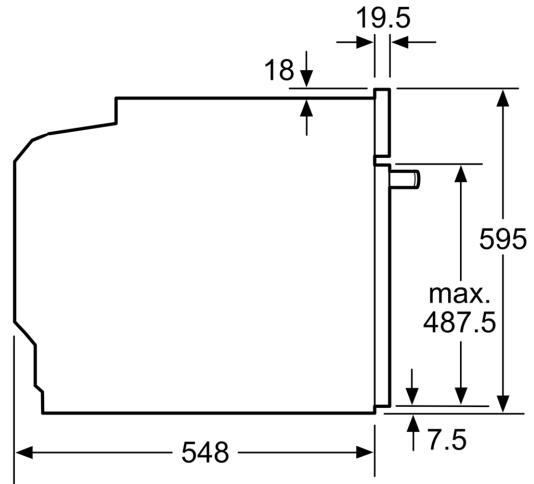
- Please reference the built-in dimensions provided in the installation drawing

iQ700, Built-in oven, 60 x 60 cm,  
Black  
HB978GNB1B

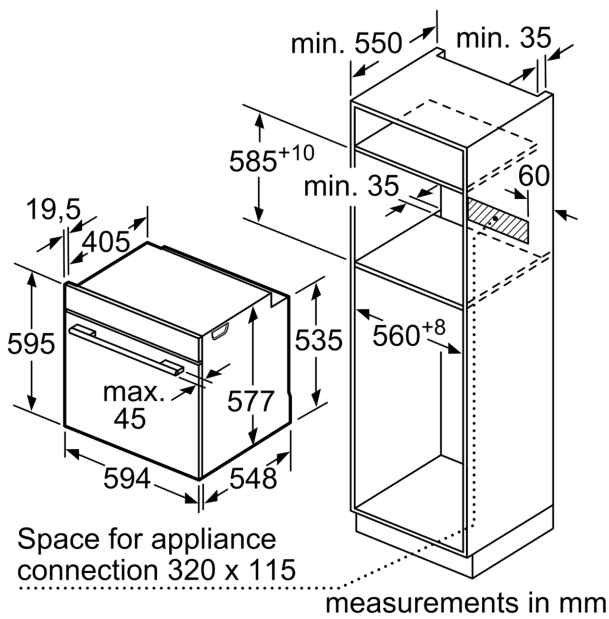
Installing two appliances on top of each other  
Air exchange



A: Air inlet  $\geq 200 \text{ cm}^2$



measurements in mm



If the appliance will be installed underneath a hob, the following worktop thicknesses (including substructure if necessary) must be taken into account.

Hob type	min. worktop thickness	
	fitted	flush
Induction hob	37 mm	38 mm
Full surface Induction hob	47 mm	48 mm
Gas hob	30 mm	38 mm
Electric hob	27 mm	30 mm

