

iQ700, Built-in oven, 60 x 60 cm, Black HB736G1B1



- ✓ Oven Assistant with Voice Control – Intuitively set the right programme.
- ✓ Cut down on oven cleaning – ecoClean.
- ✓ humidClean Plus - For fast cleaning dirt is softened beforehand by vaporizing soapy water. It can then be removed more easily.
- ✓ Home Connect with Remote Control and Monitoring – Unlock the full potential of your smart oven.
- ✓ cookControl Plus – Pre-installed settings for excellent results.

Gross weight: 36.5 kg
 Built-in / Free-standing: Built-in
 Integrated Cleaning system: activeKlean setting, Hydrolytic
 Min. required niche size for installation (HxWxD): 585-595 x 560-568 x 550 mm
 Dimensions: 595 x 594 x 548 mm
 Dimensions of the packed product (HxWxD): ... 675 x 660 x 690 mm
 Control Panel Material: Glass
 Door Material: Glass
 Net weight: 34.1 kg
 Usable volume of cavity: 71 l
 Heating Types: .4D hot air, Full width grill, Hotair gentle, Half width grill, Conventional heat, Conventional heat gentle, Pizza setting, low temperature cooking, Deep-frozen food special, Bottom heat, Hot air grilling, pre-heating, warming
 Number of interior lights: 1
 Length electrical supply cord: 120.0 cm
 Interior Lights - cavity 1: 1
 Pull-out system: Accessory
 Included accessories: 1 x enamel baking tray, 1 x combination grid, 1 x universal pan
 Broil Element Wattages cavity 1: 2800 W
 Convection Element Wattages cavity 1: 2200 W
 Energy efficiency rating: A+: efficient
 Energy consumption per cycle conventional (2010/30/EC): 0.87 kWh/cycle
 Energy consumption per cycle forced air convection (2010/30/EC): 0.69 kWh/cycle
 Energy efficiency index (2010/30/EC): 81.2 %
 Connection Rating: 3600 W
 Fuse protection: 16 A
 Voltage: 220-240 V
 Frequency: 50; 60 Hz
 Plug type: Gardy plug w/ earthing
 Energy input: Electric
 Required cutout/niche size for installation (in): x
 Dimensions of the packed product: 26.57 x 25.98 x 27.16
 Net weight: 75.000 lbs
 Gross weight: 80.000 lbs
 Length electrical supply cord: 120.0 cm
 Net weight: 34.1 kg

1 x enamel baking tray, 1 x combination grid, 1 x universal pan

HZ327000 Baking stone, HZ32WA00 Wireless food thermometer, HZ530000 2 multipurpose pans, slim size, HZ531010 Baking tray, non-stick ceramic coated, HZ532010 Universal pan, non-stick ceramic coated, HZ538000 varioClip rail, HZ617000 Pizza pan, enamelled, HZ629070 Air Fry & Grill tray, HZ631070 Baking tray, enamelled, HZ632070 Multipurpose pan, enamelled, HZ633001 Lid for professional pan, enamelled, HZ633070 Professional pan, enamelled, HZ633073 Professional pan, enamelled, HZ634000 Baking and roasting grid (standard), HZ635000 AirFry & Grill Set, HZ636000 Glass pan, HZ638000 Full ext rails, level independent, HZ664000 Baking and roasting grid (steam), HZ66X650 Cover Strip, HZ915003 Glass roasting dish, 5,4 L, HZG0AS00 Connecting cable 3m



iQ700, Built-in oven, 60 x 60 cm, Black HB736G1B1

Heating Functions

- Temperature range 30 °C - 300 °C
- Cavity volume: 71 l

Hook-in racks / rails

- Easy fit shelf support rails with electronic link

Design

- Cavity inner surface: enamel anthracite

Colour display: Full Color

- Ecolyse features: back panel
- hydrolyse program

Comfort

- LED display control (red)
- electronic clock with LED display
- Oven door with Drop down door, soft closing, soft opening
- Supporting systems: Dish categories
- Rapid heating-up
- coolStart
- Rapid heating-up: automatic
- Integral cooling fan
- HomeConnect ready on WLAN

Accessories

- 1 x enamel baking tray, 1 x combination grid, 1 x universal pan

Connecting cable: 120 cm

- Child lock
- Automatic safety switch off residual heat indicator Start-/Stop button door contact switch

Technical Information

- Length of mains cable: 120 cm
- Nominal voltage: 220 - 240 V
- Total connected load electric: 3.6 KW
- Energy efficiency rating (acc. EU Nr. 65/2014): A+(at a range of energy efficiency classes from A+++ to D)
- Energy consumption per cycle in conventional mode:0.87 kWh
- Energy consumption per cycle in fan-forced convection mode:0.69 kWh
- Number of cavities: 1 Heat source: electrical Cavity volume:71 l
- Energy efficiency rating (acc. EU Nr. 65/2014):A+(at a range of energy efficiency classes from A+++ to D)
- Energy consumption per cycle in conventional mode:0.87 kWh
- Energy consumption per cycle in fan-forced convection mode:0.69 kWh
- Number of cavities: 1 Heat source: electrical Cavity volume:71 l

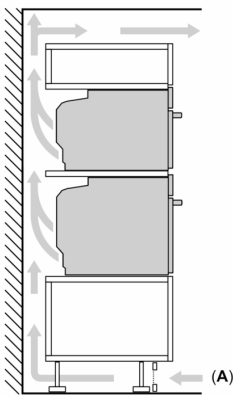
Dimensions:

- Appliance dimension (hxwxh): 595 mm x 594 mm x 548 mm
- Required niche size for installation (HxWxD): 585 mm - 595 mm x 560 mm - 568 mm x 550 mm

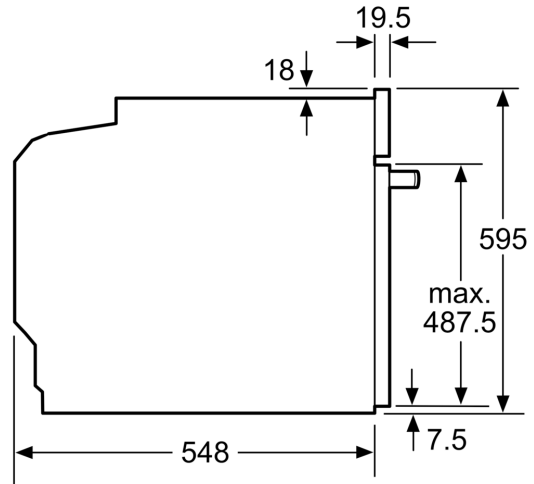
- Please reference the built-in dimensions provided in the installation drawing

iQ700, Built-in oven, 60 x 60 cm,
Black
HB736G1B1

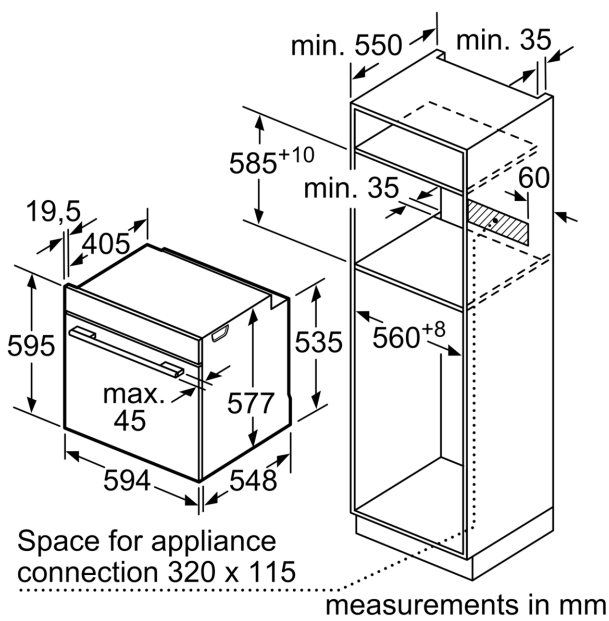
Installing two appliances on top of each other
Air exchange



A: Air inlet $\geq 200 \text{ cm}^2$



measurements in mm



measurements in mm

If the appliance will be installed underneath a hob, the following worktop thicknesses (including substructure if necessary) must be taken into account.

Hob type	min. worktop thickness	
	fitted	flush
Induction hob	37 mm	38 mm
Full surface Induction hob	47 mm	48 mm
Gas hob	30 mm	38 mm
Electric hob	27 mm	30 mm

