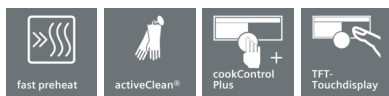


iQ700, Built-in oven, 60 x 60 cm, Stainless steel HB676G5S1



- ✓ Reach the required baking temperature sooner - fastPreheat. No need to preheat the oven for deep frozen food - coolStart.
- ✓ activeClean: the automatic system for effortless cleaning.
- ✓ cookControl Plus: guaranteed success for numerous dishes.
- ✓ TFT Touchdisplay: user-friendly menu navigation with good display features.

Features

Technical Data

Color / Material Front : Stainless steel
 Built-in / Free-standing : Built-in
 Integrated Cleaning system : Hydrolytic, Pyrolytic
 Required niche size for installation (HxWxD) : 585-595 x 560-568 x 550
 Dimensions : 595 x 594 x 548
 Dimensions of the packed product (HxWxD) (mm) : 670 x 680 x 670
 Control Panel Material : Stainless steel
 Door Material : Glass
 Net weight (kg) : 38.550
 Usable volume of cavity (l) : 71
 Cooking method : Bottom heat, Conventional heat, Full width grill, Half width grill, Hot Air-Eco, Hot air grilling, low temperature cooking, Pizza setting, pre-heating, warming
 Number of interior lights : 1
 Approval certificates : CE, VDE
 Length electrical supply cord (cm) : 120
 Interior Lights - cavity 1 : 1
 Pull-out system : 3-level
 Clock function : Alarm, Off, On
 Included accessories : 1 x enamel baking tray, 1 x combination grid, 1 x universal pan
 Broil Element Wattages cavity 1 (W) : 2800
 Convection Element Wattages cavity 1 (W) : 2200
 Energy consumption per cycle conventional (2010/30/EC) : 0.90
 Energy consumption per cycle forced air convection (2010/30/EC) : 0.74
 Energy efficiency index (2010/30/EC) : 87.1
 Connection Rating (W) : 3600
 Current (A) : 16
 Voltage (V) : 220-240
 Frequency (Hz) : 60; 50
 Plug type : Gardy plug w/ earthing
 Color / Material Front : Stainless steel
 Energy input : Electric
 Approval certificates : CE, VDE
 Required cutout/niche size for installation (in) : x x
 Dimensions of the packed product (in) : 26.37 x 26.37 x 26.77
 Net weight (lbs) : 85.000
 Gross weight (lbs) : 90.000
 Length electrical supply cord (cm) : 120
 Net weight (kg) : 38.550
 Gross weight (kg) : 40.9

Included accessories

- 1 x enamel baking tray
- 1 x combination grid
- 1 x universal pan



4 242003 671771

**iQ700, Built-in oven, 60 x 60 cm,
Stainless steel
HB676G5S1**

Features

Design

Heating Functions

- Cavity volume:71 l
-
- Oven with 13 heating methods:
- 4D hot air
- Hot Air-Eco
- Conventional heat
- Conventional heat ECO
- hot air grilling
- Full width grill
- Half width grill
- pizza setting
- Deep-frozen food special
- bottom heat
- Soft steaming
- Plate warming setting
- Hold warm setting
-
- Temperature range 30 °C-300 °C
- Cavity inner surface: Enamel anthracite
- Yes
- 1 x universal pan, 1 x combination grid, 1 x enamel baking tray
- LED display control (red)
- Oven door with Drop down door, soft closing, soft opening
- Electronic clock timer
- Rapid heating-up
- Rapid heating-up: automatic

Hook-in racks / rails

- Pyrolytic self-cleaning function
- Child lock
- Automatic safety switch off
- residual heat indicator
- start button
- door contact switch
-
- Required niche size for installation (HxWxD):585 mm-595 mmx560 mm-568 mmx550 mm
- Please reference the built-in dimensions provided in the installation drawing

Accessories

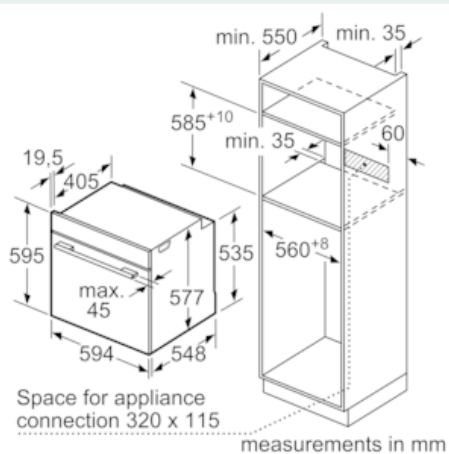
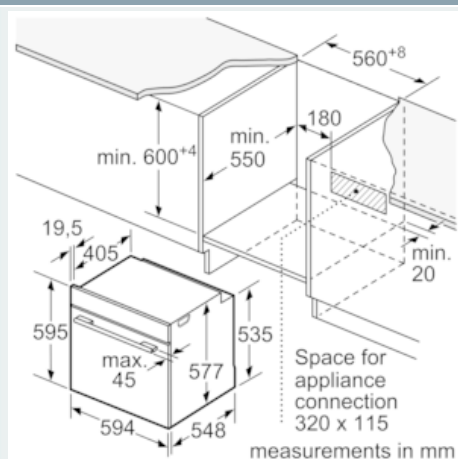
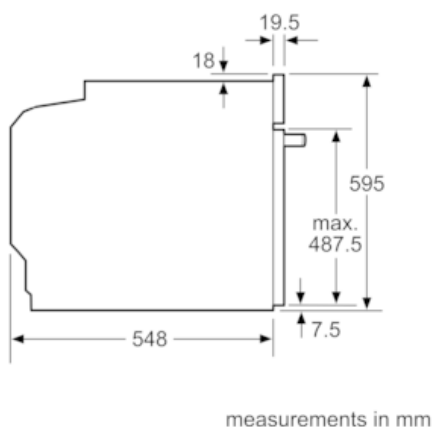
- Appliance dimension (hwxwd):595 mmx594 mmx548 mm

Connecting cable:120 cm

- Total connected load electric: 3.6 KW

iQ700, Built-in oven, 60 x 60 cm, Stainless steel HB676G5S1

Dimensioned drawings



If the appliance will be installed underneath a hob, the following worktop thicknesses (including substructure if necessary) must be taken into account.

Hob type	min. worktop thickness	
	fitted	flush
Induction hob	37 mm	38 mm
Full surface Induction hob	47 mm	48 mm
Gas hob	30 mm	38 mm
Electric hob	27 mm	30 mm