

**iQ700, Built-in oven, 60 x 60 cm,  
Stainless steel  
HB635GBS1J**



- ✓ Reach the required baking temperature sooner - fastPreheat. No need to preheat the oven for deep frozen food - coolStart.
- ✓ Cut down on oven cleaning – ecoClean.
- ✓ cookControl10: automatic programs ensure best results.
- ✓ TFT Display: good readability from any perspective.
- ✓ 4D hotAir: flexible choice of shelf.

**Accessories**

1 x enamel baking tray, 1 x combination grid, 1 x universal pan

**Optional accessories**

HZ327000 Baking stone, HZ531010 Baking tray, non-stick ceramic coated, HZ532010 Universal pan, non-stick ceramic coated, HZ617000 Pizza pan, enamelled, HZ625071 Grill tray, enamelled, HZ631070 Baking tray, enamelled, HZ632070 Multipurpose pan, enamelled, HZ633001 Lid for professional pan, enamelled, HZ633070 Professional pan with grid, enamelled, HZ634000 Baking and roasting grid (standard), HZ636000 Glass pan, HZ638100 1 level telescopic shelf rails, full ext, HZ638200 2 level telescopic shelf rails, full ext, HZ638300 3 level telescopic rails, full ext, HZ664000 Baking and roasting grid (steam), HZ66X650 Cover Strip, HZ915003 Glass roasting dish, 5,4 L, HZG0AS00 Connecting cable 3m

**Technical specifications**

Gross weight: ..... 37.5 kg  
 Built-in / Free-standing: ..... Built-in  
 Integrated Cleaning system: ..... activeKlean setting, Hydrolytic  
 Required niche size for installation (HxWxD): ..585-595 x 560-568 x 550 mm  
 Dimensions: ..... 595x594x548 mm  
 Dimensions of the packed product (HxWxD): ... 670 x 670 x 680 mm  
 Control Panel Material: ..... Stainless steel  
 Door Material: .....Glass  
 Net weight: ..... 35.1 kg  
 Usable volume of cavity: ..... 71 l  
 Heating Types: ....4D hot air, Full width grill, Hot Air-Eco, Half width grill, Conventional heat, Conventional heat ECO, Pizza setting, low temperature cooking, Deep-frozen food special, Bottom heat, Hot air grilling, pre-heating, warming  
 Number of interior lights: .....1  
 Length electrical supply cord: ..... 120.0 cm  
 Interior Lights - cavity 1: .....1  
 Pull-out system: ..... Accessory  
 Included accessories: ..... 1 x enamel baking tray, 1 x combination grid, 1 x universal pan  
 Broil Element Wattages cavity 1: .....2800 W  
 Convection Element Wattages cavity 1: ..... 1600 W  
 Energy efficiency rating: .....A+: efficient  
 Energy consumption per cycle conventional (2010/30/EC): .....0.87 kWh/cycle  
 Energy consumption per cycle forced air convection (2010/30/EC): 0.69 kWh/cycle  
 Energy efficiency index (2010/30/EC): ..... 81.2 %  
 Connection Rating: ..... 2850 W  
 Fuse protection: .....13 A  
 Voltage: .....220-230 V  
 Frequency: .....60; 50 Hz  
 Plug type: ..... Gardy plug w/ earthing  
 Energy input: ..... Electric  
 Required cutout/niche size for installation (in): ..... x  
 Dimensions of the packed product: ..... 26.37 x 26.37 x 26.77  
 Net weight: ..... 77.000 lbs  
 Gross weight: ..... 83.000 lbs  
 Length electrical supply cord: ..... 120.0 cm  
 Net weight: ..... 35.1 kg



## iQ700, Built-in oven, 60 x 60 cm, Stainless steel HB635GBS1J

- Oven with 13 heating methods:
- 4D hot air
- Hot Air-Eco Conventional heat Conventional heat ECO hot air grilling Full width grill Half width grill pizza setting Deep-frozen food special bottom heat Soft steaming Plate warming setting Hold warm setting

### Design

- LED display control (red)
- Cavity inner surface: enamel anthracite

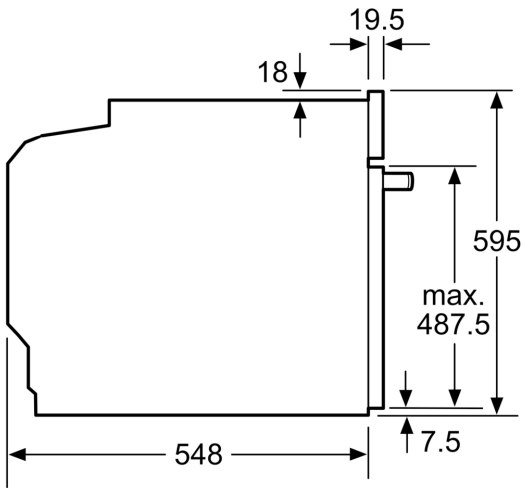
### Comfort

- Cavity volume: 71 l
- Temperature range 30 °C - 300 °C
- Rapid heating-up
- Ecolyse features: back panel
- 1 x universal pan, 1 x combination grid, 1 x enamel baking tray
- Child lock
- Automatic safety switch off residual heat indicator Start-/Stop button door contact switch

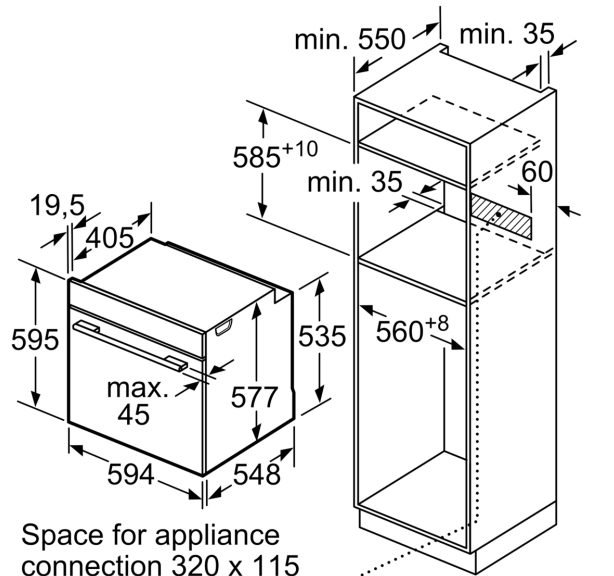
### Technical Information

- Appliance dimension (hxwxd): 595 mm x 594 mm x 548 mm
- Required niche size for installation (HxWxD): 585 mm - 595 mm x 560 mm - 568 mm x 550 mm

iQ700, Built-in oven, 60 x 60 cm,  
Stainless steel  
HB635GBS1J



measurements in mm

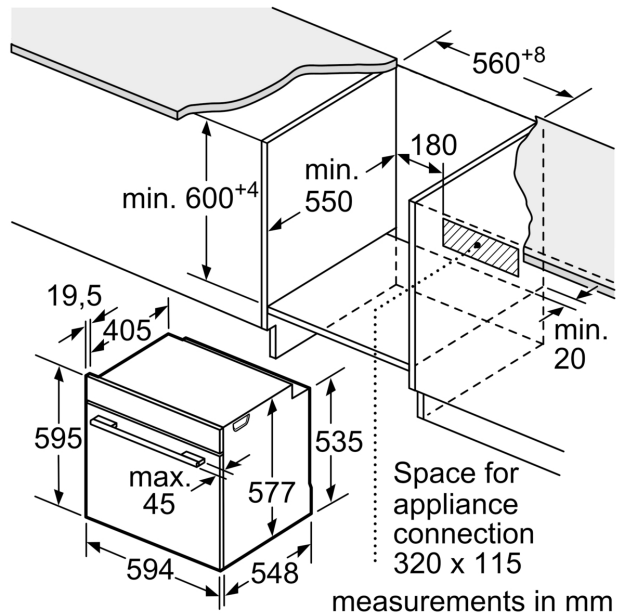


Space for appliance connection 320 x 115

measurements in mm

If the appliance will be installed underneath a hob, the following worktop thicknesses (including substructure if necessary) must be taken into account.

Hob type	min. worktop thickness	
	fitted	flush
Induction hob	37 mm	38 mm
Full surface Induction hob	47 mm	48 mm
Gas hob	30 mm	38 mm
Electric hob	27 mm	30 mm



Space for appliance connection 320 x 115

measurements in mm