

iQ700, Built-in oven, 60 x 60 cm, Stainless steel HB634GBS1



- ✓ Reach the required baking temperature sooner - fastPreheat. No need to preheat the oven for deep frozen food - coolStart.
- ✓ TFT Display: good readability from any perspective.

Features

Technical Data

Gross weight : 37.5 kg
 Color / Material Front : Stainless steel
 Built-in / Free-standing : Built-in
 Integrated Cleaning system : catalytic partial, Hydrolytic
 Min. required niche size for installation (HxWxD) : 585-595 x 560-568 x 550 mm
 Dimensions : 595 x 594 x 548 mm
 Dimensions of the packed product (HxWxD) : 675 x 690 x 660 mm
 Control Panel Material : Stainless steel
 Door Material : Glass
 Net weight : 35.1 kg
 Usable volume of cavity : 71 l
 Cooking method : , 4D hot air, Bottom heat, Conventional heat, Deep-frozen food special, Full width grill, Half width grill, Hot Air-Eco, Hot air grilling, Pizza setting, pre-heating, Soft steaming, warming
 Number of interior lights : 1
 Length electrical supply cord : 120.0 cm
 Interior Lights - cavity 1 : 1
 Pull-out system : Accessory
 Clock function : Alarm, Off, On
 Included accessories : 1 x enamel baking tray, 1 x combination grid, 1 x universal pan
 Broil Element Wattages cavity 1 : 2800 W
 Convection Element Wattages cavity 1 : 2200 W
 Energy consumption per cycle conventional (2010/30/EC) : 0.87 kWh/cycle
 Energy consumption per cycle forced air convection (2010/30/EC) : 0.69 kWh/cycle
 Energy efficiency index (2010/30/EC) : 81.2 %
 Connection Rating : 3600 W
 Fuse protection : 16 A
 Voltage : 220-240 V
 Plug type : Gardy plug w/ earthing
 Color / Material Front : Stainless steel
 Alternative colors available : HB634GBW1
 Energy input : Electric
 Required cutout/niche size for installation (in) : x
 Dimensions of the packed product : 26.57 x 25.98 x 27.16
 Net weight : 77.000 lbs
 Gross weight : 83.000 lbs
 Length electrical supply cord : 120.0 cm
 Net weight : 35.1 kg
 Included accessories : 1 x enamel baking tray, 1 x combination grid, 1 x universal pan

Included accessories

- 1 x enamel baking tray
- 1 x combination grid
- 1 x universal pan



**iQ700, Built-in oven, 60 x 60 cm,
Stainless steel
HB634GBS1**

Features

Design

Heating Functions

- Cavity volume: 71 l
- Oven with 13 heating methods: 4D hot air Hot Air-Eco Conventional heat Conventional heat ECO hot air grilling Full width grill Half width grill pizza setting Deep-frozen food special bottom heat Soft steaming Plate warming setting Hold warm setting
- Required niche size for installation (HxWxD): 585 mm - 595 mm x 560 mm - 568 mm x 550 mm
- Cavity inner surface: Enamel anthracite
- LED display control (red)
- Ecolyse features: back panel
- Oven door with Drop down door, soft closing, soft opening
- Electronic clock timer
- Rapid heating-up
- Rapid heating-up: automatic
- Integral cooling fan
- Please reference the built-in dimensions provided in the installation drawing

Hook-in racks / rails

- 1 x universal pan, 1 x combination grid, 1 x enamel baking tray
- Child lock Automatic safety switch off residual heat indicator Start-/ Stop button door contact switch

Accessories

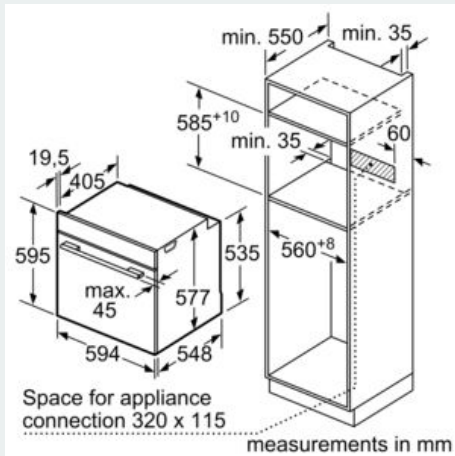
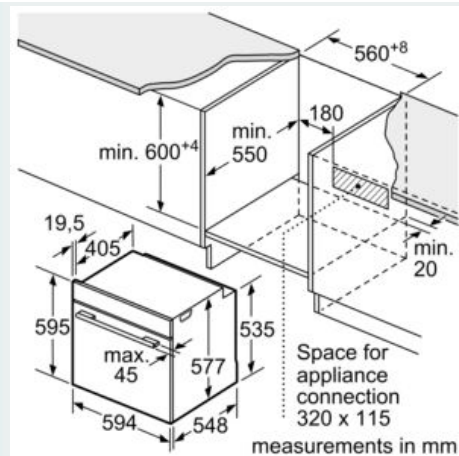
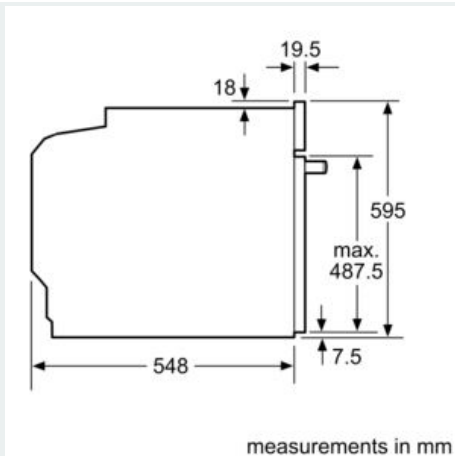
- Appliance dimension (hxwxd): 595 mm x 594 mm x 548 mm

Connecting cable: 120 cm

- Total connected load electric: 3.6 KW

**iQ700, Built-in oven, 60 x 60 cm,
Stainless steel
HB634GBS1**

Dimensioned drawings



If the appliance will be installed underneath a hob, the following worktop thicknesses (including substructure if necessary) must be taken into account.

Hob type	min. worktop thickness	
	fitted	flush
Induction hob	37 mm	38 mm
Full surface Induction hob	47 mm	48 mm
Gas hob	30 mm	38 mm
Electric hob	27 mm	30 mm