

iQ700, Built-in oven, Stainless steel HB33GB550



Included accessories

- 1 x enamel baking tray
- 1 x combination grid
- 1 x universal pan

60 cm high built-in oven with innovative 3D hotAir Plus for perfect baking results on one, two or three baking sheets simultaneously.

- ✓ Perfect baking results on up to 3 baking sheets thanks to innovative heat distribution with 3D hotAir Plus.
- ✓ State-of-the-art, with an electronic clock including a timer for perfect timing when cooking.
- ✓ Special ecoClean coating reduces soiling and odours.
- ✓ A -20 %: Up to 20 % more efficient than the requirement for energy efficiency class A.

Features

Technical Data

Color / Material Front : Stainless steel
 Built-in / Free-standing : Built-in
 Integrated Cleaning system : No
 Required niche size for installation (HxWxD) : 575-597 x 560-574 x 550
 Dimensions of the product (mm) : 595 x 595 x 548
 Dimensions of the packed product (HxWxD) (mm) : 670 x 680 x 670
 Control Panel Material : Glass, Stainless steel
 Door Material : Glass
 Net weight (kg) : 35.395
 Usable volume of cavity (l) : 66
 Cooking method : Bottom heat, Conventional heat, Defrost, Full width variable grill, Half width variable grill, Hot Air, Hot air grilling, Pizza setting
 First cavity material : Enameled
 Number of interior lights : 1
 Approval certificates : CE, VDE
 Length electrical supply cord (cm) : 120
 Interior Lights - cavity 1 : 1
 Pull-out system : Accessory
 Clock function : Alarm, Off, On
 Included accessories : 1 x enamel baking tray, 1 x combination grid, 1 x universal pan
 Broil Element Wattages cavity 1 (W) : 2800
 Convection Element Wattages cavity 1 (W) : 2100
 Energy consumption per cycle conventional (2010/30/EC) : 0.96
 Energy consumption per cycle forced air convection (2010/30/EC) : 0.82
 Energy efficiency index (2010/30/EC) : 98.8
 Current (A) : 16
 Voltage (V) : 220-240
 Frequency (Hz) : 50; 60
 Plug type : GARDY plug w/ earthing
 Color / Material Front : Stainless steel
 Alternative colors available : HB33GB250, HB33GB650
 Energy input : Electric
 Approval certificates : CE, VDE
 Required cutout/niche size for installation (in) : x x
 Dimensions of the packed product (in) : 26.37 x 26.37 x 26.77
 Net weight (lbs) : 78.000
 Gross weight (lbs) : 83
 Length electrical supply cord (cm) : 120
 Net weight (kg) : 35.395
 Gross weight (kg) : 38.0



iQ700, Built-in oven, Stainless steel HB33GB550

Features

Design:

- Full-glass inner door
- White display with blue indicator lights
- 5 shelf levels
- 2 retractable control dials
- Drop down door

Features:

- Oven capacity 67 l
- Multifunction oven with 8 cooking functions: conventional heat, hot air plus, pizza setting, bottom heat, hot air grilling, full width variable grill, half width variable grill, defrost
- Rapid heating-up: automatic
- Electronic clock timer
- Integral cooling fan
- Grey enamel smooth oven interior
- Grill element: Drop down grill
- Soft closing door or soft close door
- Energy efficiency Class A: -20% less energy consumption from standard value
- Rear panel with ecoClean, side and top as optional accessory available
- Triple glass touch Door temperature: 40 °C
- Hot air temperature max.: 270 °C

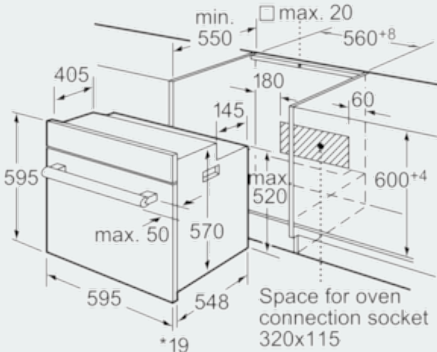
Dimensions:

- Appliance Dimensions (H x W x D): 59.5 cm x 59.5 cm x 54.8 cm
- Cutout Dimensions (H x W x D): 575-597 mm x 56 cm x 55 cm
- Connecting cable plug 120 cm

Total connected load: 3.5 KW

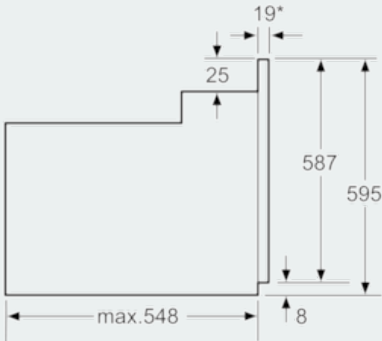
iQ700, Built-in oven, Stainless steel
HB33GB550

Dimensioned drawings



* 20 mm for metal fascias

Measurements in mm



* 20 mm for metal fascias

Dimensions in mm