

iQ100
HB311E4
60 cm Stainless steel Electric built-in oven



Included accessories

- 1 x combination grid
- 1 x universal pan

Triple glazed door with heat reflective glass

- ✓ Total connected load electric: 3.6 KW
- ✓ Energy efficiency class A: For efficient roasting and baking.

Features

Technical Data

Color / Material Front : Stainless steel
 Built-in / Free-standing : Built-in
 Integrated Cleaning system : No
 Required niche size for installation (HxWxD) : 575-597 x 560-568 x 550
 Dimensions of the product (mm) : 595 x 595 x 548
 Dimensions of the packed product (HxWxD) (mm) : 665 x 685 x 665
 Control Panel Material : Metal
 Door Material : Glass
 Net weight (kg) : 32.283
 Usable volume of cavity (l) : 66
 Cooking method : 3D hot air, Bottom heat, Conventional heat, Full width variable grill, Hot air grilling
 First cavity material : Enameled
 Number of interior lights : 1
 Approval certificates : CE, KEMA
 Length electrical supply cord (cm) : 100
 Interior Lights - cavity 1 : 1
 Clock function : Alarm
 Included accessories cavity 1 : 1 x combination grid, 1 x universal pan
 Broil Element Wattages cavity 1 (W) : 2800
 Energy consumption per cycle conventional (2010/30/EC) : 0.98
 Energy consumption per cycle forced air convection (2010/30/EC) : 0.82
 Energy efficiency index (2010/30/EC) : 98.8
 Electrical connection rating (W) : 3600
 Current (A) : 16
 Voltage (V) : 220-240
 Frequency (Hz) : 60; 50
 Plug type : Gardy plug w/ earthing
 Color / Material Front : Stainless steel
 Energy input : Electric
 Approval certificates : CE, KEMA
 Required cutout/niche size for installation (in) : x x
 Dimensions of the packed product (in) : 26.18 x 26.18 x 26.96
 Net weight (lbs) : 71.000
 Gross weight (lbs) : 76
 Length electrical supply cord (cm) : 100
 Net weight (kg) : 32.283
 Gross weight (kg) : 35.0

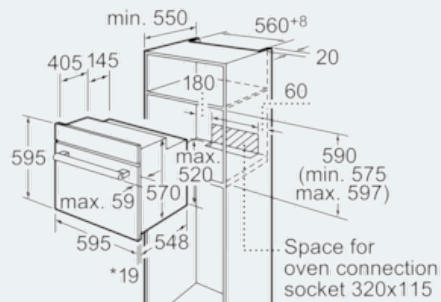


iQ100**HB311E4****60 cm Stainless steel Electric built-in oven****Features**

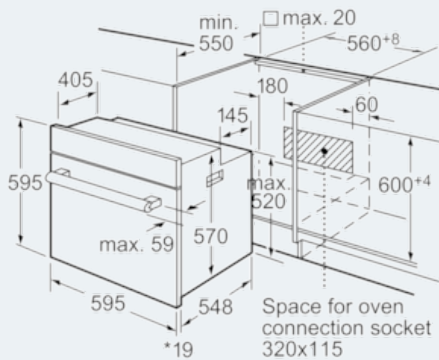
- Cavity volume: 66 l
- Multifunction oven, electric (5 heating modes: conventional, 3D hot air, bottom heat, full width surface grill, hot air grilling)
- Grill element: fixed assembled
- Temperature range 50 °C - 270 °C
- mechanical timer
- 1 interior light
- Integral cooling fan
- Full-glass inner door
- Removable oven door for easy-cleaning
- Rapid heating-up: manual
- Clock function: Alarm
- Energy efficiency rating A
- Oven cavity with removable rack supports
- Appliance Dimensions (HxWxD): 60 cm x 60 cm x 55 cm
- Cutout Dimensions (H x W x D): 575-597 mm x 56 cm x 55 cm
- Cable with plug (1.00 m)
- Total connected load electric: 3.6 KW

iQ100
HB311E4
60 cm Stainless steel Electric built-in
oven

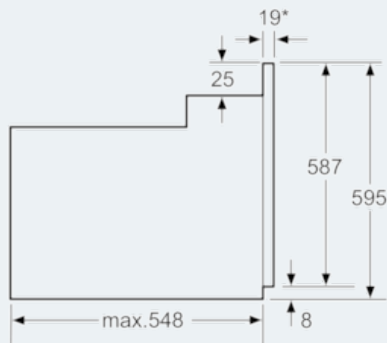
Dimensioned drawings



*20 mm for metal fascias
 Measurements in mm



*20 mm for metal fascias
 Measurements in mm



* 20 mm for metal fascias
 Dimensions in mm