

## iQ500, Built-in oven, 60 x 60 cm, Stainless steel HB237ABROZ



1 x enamel baking tray, 1 x combination grid, 1 x universal pan

HZ327000 Baking stone, HZ32WA00 Wireless food thermometer, HZ530000 2 multipurpose pans, slim size, HZ531010 Baking tray, non-stick ceramic coated, HZ532010 Universal pan, non-stick ceramic coated, HZ538000 varioClip rail, HZ617000 Pizza pan, enamelled, HZ629070 Air Fry & Grill tray, HZ631070 Baking tray, enamelled, HZ632070 Multipurpose pan, enamelled, HZ633001 Lid for professional pan, enamelled, HZ633070 Professional pan, enamelled, HZ634000 Baking and roasting grid (standard), HZ636000 Glass pan, HZ638000 Full ext rails, level independent, HZ664000 Baking and roasting grid (steam), HZ66X650 Cover Strip, HZ915003 Glass roasting dish, 5,4 L

### Shorten your cooking time thanks to fast preheat.

- ✓ fast preheat: reach the required baking temperature sooner.
- ✓ Cut down on oven cleaning – ecoClean.
- ✓ cookControl10: automatic programs ensure best results.
- ✓ 3D hotAir Plus – Even heat distribution on up to three levels for excellent results.
- ✓ For fast cleaning dirt is softened beforehand by vaporizing soapy water. It can then be removed more easily – humidClean.

Gross weight: ..... 36.3 kg  
 Built-in / Free-standing: ..... Built-in  
 Integrated Cleaning system: ..... activeKlean setting, Hydrolytic  
 Min. required niche size for installation (HxWxD): ..... 585-595 x 560-568 x 550 mm  
 Dimensions: ..... 595 x 594 x 548 mm  
 Dimensions of the packed product (HxWxD): ... 675 x 660 x 690 mm  
 Control Panel Material: ..... Glass  
 Door Material: ..... Glass  
 Net weight: ..... 34.2 kg  
 Usable volume of cavity: ..... 71 l  
 Heating Types: ..... Full width grill, Hotair gentle, Hot Air, Conventional heat, Pizza setting, Bottom heat, Hot air grilling  
 Number of interior lights: ..... 1  
 Length electrical supply cord: ..... 120.0 cm  
 Interior Lights - cavity 1: ..... 1  
 Pull-out system: ..... Accessory  
 Included accessories: ..... 1 x enamel baking tray, 1 x combination grid, 1 x universal pan  
 Broil Element Wattages cavity 1: ..... 2700 W  
 Convection Element Wattages cavity 1: ..... 1600 W  
 Energy efficiency rating: ..... A  
 Energy consumption per cycle conventional (2010/30/EC): ..... 0.97 kWh/cycle  
 Energy consumption per cycle forced air convection (2010/30/EC): 0.81 kWh/cycle  
 Energy efficiency index (2010/30/EC): ..... 95.3 %  
 Connection Rating: ..... 2990 W  
 Fuse protection: ..... 13 A  
 Voltage: ..... 220-240 V  
 Frequency: ..... 60; 50 Hz  
 Plug type: ..... India plug (16 Ampere)  
 Energy input: ..... Electric  
 Required cutout/niche size for installation (in): ..... x  
 Dimensions of the packed product: ..... 26.57 x 25.98 x 27.16  
 Net weight: ..... 75.000 lbs  
 Gross weight: ..... 80.000 lbs  
 Length electrical supply cord: ..... 120.0 cm  
 Net weight: ..... 34.2 kg



## iQ500, Built-in oven, 60 x 60 cm, Stainless steel HB237ABROZ

### Heating Modes

- Oven with 7 heating methods: Hot air, Conventional heat, hot air grilling, Full width grill, pizza setting, bottom heat, Hotair gentle

### Design

- LED display control (red)
- Bar handle
- Cavity inner surface: enamel anthracite
- Rapid heating-up: manual

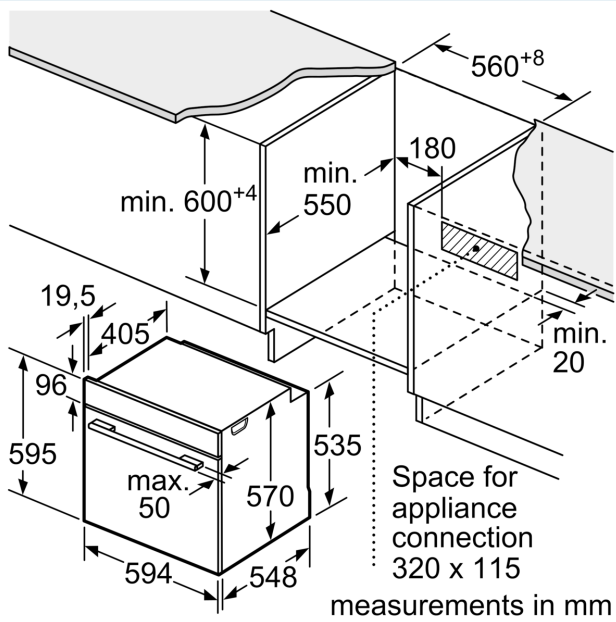
### Comfort

- Cavity volume: 71 l
- Maximum window temperature 40 °C
- Temperature range 50 °C - 275 °C
- Triple glazed door with heat reflective glass
- ecolyse features: back panel
- childproof lock
- 10 automatic programmes
- Integral cooling fan
- Electronic functions: Heating-up control, automatic start, Automatic programmes

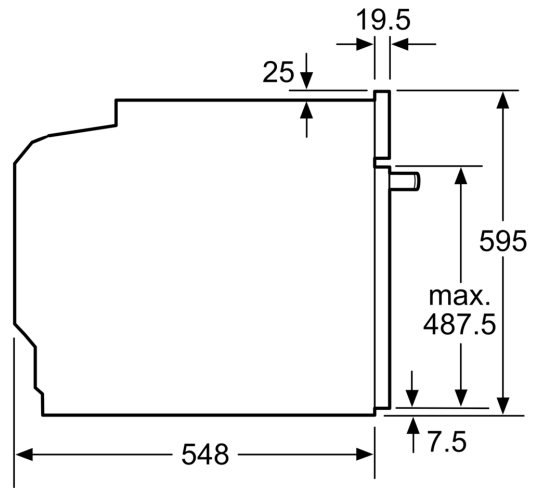
### Technical Information

- Appliance dimension (hxwxh): 595 mm x 594 mm x 548 mm
- Required niche size for installation (HxWxD): 585 mm - 595 mm x 560 mm - 568 mm x 550 mm
- Total connected load electric: 2.99 KW
- Plug type: India plug (16 Ampere)
- Length of mains cable: 120 cm

**iQ500, Built-in oven, 60 x 60 cm,  
Stainless steel  
HB237ABROZ**

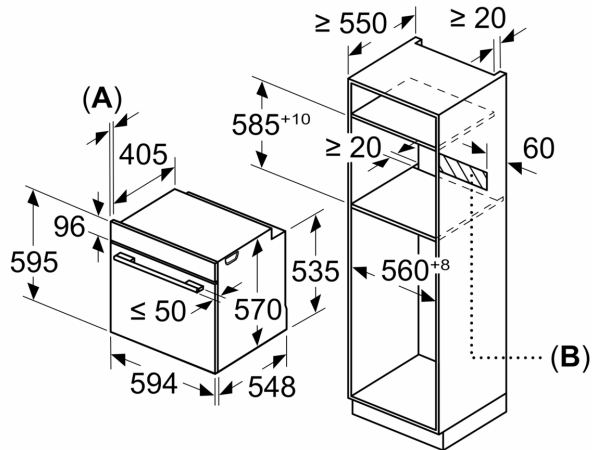


measurements in mm



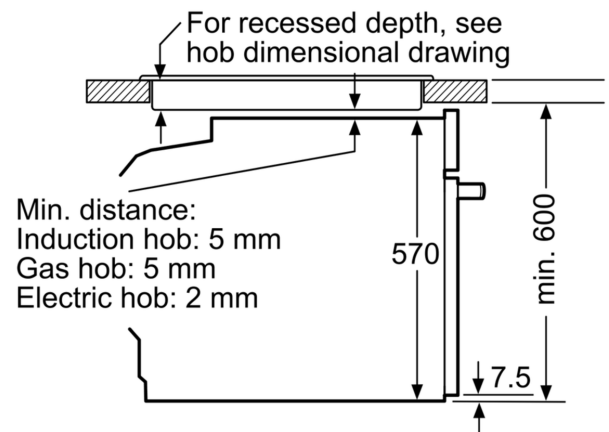
measurements in mm

Measurements in mm



**A:** 19.5 mm  
**B:** Space for appliance connection 320 x 115 mm

Installation with a hob.



Min. distance:  
Induction hob: 5 mm  
Gas hob: 5 mm  
Electric hob: 2 mm

measurements in mm