

iQ700, built-in freezer, 177.2 x 55.8 cm, soft close flat hinge GI81NHD30I



noFrost technology prevents icing and frosting so you never have to defrost again.

✓ noFrost technology prevents icing and frosting so you never have to defrost again.

Energy Efficiency Class (Regulation (EU) 2017/1369): E
 Average annual energy consumption in kilowatt hour per year (kWh/a) (EU) 2017/1369: 235 kWh/annum
 Sum of volume of frozen compartments (EU 2017/1369): 212 l
 Airborne acoustical noise emissions (EU 2017/1369): 35 dB(A) re 1 pW
 Airborne acoustical noise emission class (EU 2017/1369): B
 Type: Upright freezer
 Built-in / Free-standing: Built-in
 Frost free system: Fridge and freezer
 Climate class: SN-T
 Door panel options: Not possible
 Width of the appliance: 558 mm
 Depth: 545 mm
 Dimensions of the packed product (HxWxD): . 1840 x 610 x 640 mm
 Warning signal / malfunction: Both visual and audible
 Defrost process: Automatic
 Cover door installation system: Fixed-mounted
 Number of drawers/baskets (Stck): 5
 Number of freezing flaps (Stck): 2
 Lockable door: No
 Thermometer freeze section: Digital
 Light: No
 Length electrical supply cord: 230.0 cm
 Door hinge: Left reversible
 Net weight: 66.3 kg
 Gross weight: 71.0 kg
 Multi-Flow Air Tower: No
 Number of compressors: 1
 Number of independent cooling systems: 1
 Economy setting: No
 Fast freezing switch: Yes
 Number of Door Bins - Freezer: 0
 Door bin adjustability - Freezer: No
 Tilt-out door bins in freezer: No
 Number of shelves - Freezer: 0
 Door bin adjustability - Freezer: No
 Shelf Material - Freezer: Safety glass
 Reversible Door Hinge: Yes
 Fuse protection: 6 A
 Frequency: 50 Hz
 Door panel options: Not possible
 Type: Full-integrated
 Noise level: 38 dB(A) re 1 pW
 Energy Star Qualified: No
 Plug type: India plug (6 Ampere)
 Required cutout/niche size for installation (in): x
 Dimensions of the packed product: 72.45 x 24.01 x 25.19
 Net weight: 146.000 lbs
 Gross weight: 157.000 lbs
 Included accessories: 2 x cold accumulator, 1 x ice cube tray



iQ700, built-in freezer, 177.2 x 55.8 cm, soft close flat hinge GI81NHD30I

- GI81NHD30I, No Frost, EU A++ Rating 235L capacity, Built-In Freezer
- Siemens Built-In refrigerator -- A premium quality product designed and manufactured in Germany

General Data

- Gross Capacity (Total): 235 L
- Net Capacity (Total): 212L
- Net Capacity (Freezer): 212L
- Appliance Height: 1772 mm
- Appliance Width:558 mm
- Appliance Depth:545 mm

Cooling System

- NoFrost - Saves you time and effort from defrosting.
- Superfreezing - Automatically brings down the temperature of the freezer to keep cool new items rapidly.

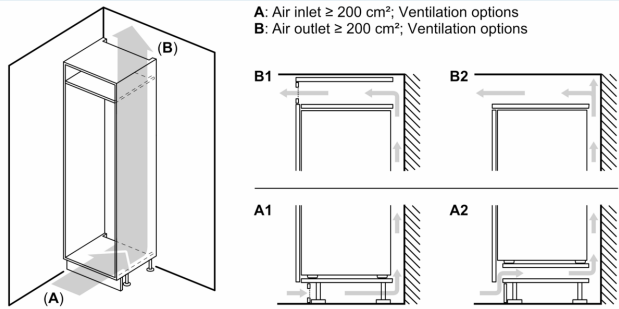
Freezer Compartment

- 7 Pull-out drawers, including 2 Big Box for storing large items
- Freezing capacity: 14 kg/ 24 h

Accessories

- 2 x cold accumulator(s)
- 1 x ice cube tray(s)

iQ700, built-in freezer, 177.2 x 55.8 cm, soft close flat hinge
GI81NHD30I

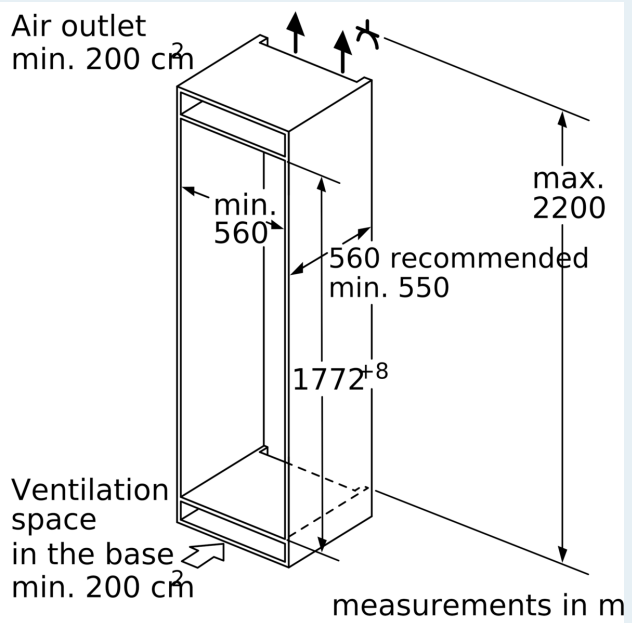
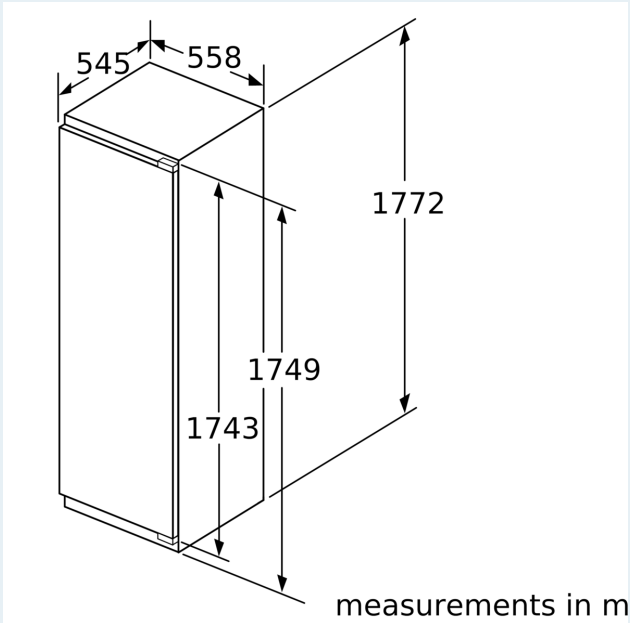


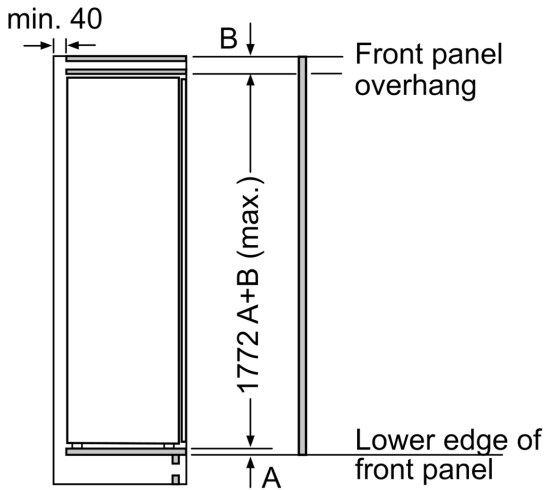
Maximal permissible weight of the unit fronts

Fitted unit fronts that exceed the permissible weight may cause damage and result in functional impairment of the hinges

W Weight
A: Appliance door height including hinges in mm
B: Undamped hinge, unit front in kg
C: Damped hinge, unit front in kg
D: Additional possible load in kg with heavy load kit

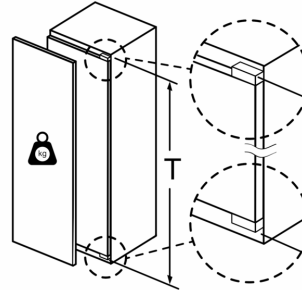
| A | B | C | D |
|-----------|----|----|-----------|
| 1500-1750 | 22 | 22 | B+5 / C+5 |
| 720-1400 | 19 | 19 | |
| A1 | 15 | 19 | |
| A2 | 15 | 19 | |





measurements in mm

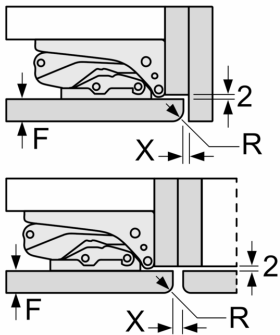
Maximal permissible weight of the unit fronts



Fitted kitchen unit doors that exceed the permissible weight may cause damage and result in functional impairment of the hinges.

| T: Includes height of appliance door Hinges in mm: | undamped hinge, Door in kg: | damped hinge, Door in kg: |
|---|--------------------------------|------------------------------|
| 1500-1750 | 22 | 22 |

measurements in mm
Recommended gap dimensions for flat hinges



| F | R | X |
|-------|-----|-----|
| 16-19 | 0-3 | 2.5 |
| 20 | 0-1 | 3 |
| | 2-3 | 2.5 |
| 21 | 0-1 | 3 |
| | 2-3 | 2.5 |
| 22 | 0 | 4 |
| | 1 | 3.5 |
| | 2-3 | 3 |

The gap dimensions recommended in the table must be adhered to in order to ensure that appliance doors do not collide with anything when they are opened, and to avoid causing damage to kitchen units.