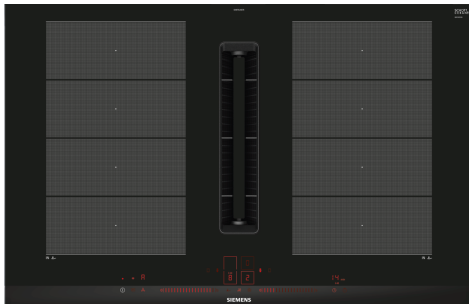


# iQ700, Induction hob with integrated ventilation system, 80 cm, surface mount with frame EX875LX67E



✓ powerMove Plus enables intuitive control thanks to three heating zones with different temperatures – activated by touch.

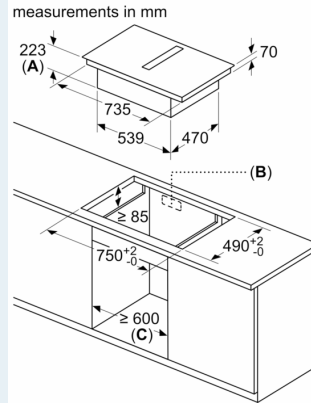
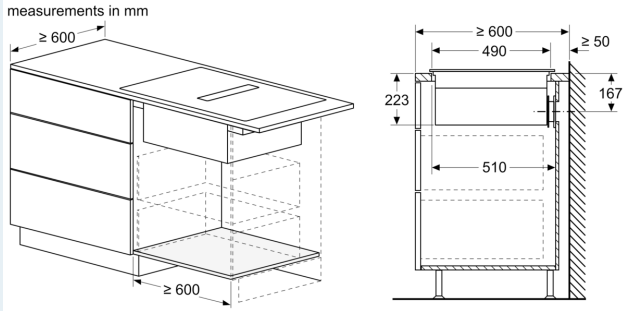
Product name/family: ..... Cooking zone ceramic  
 Built-in / Free-standing: ..... Built-in  
 Energy input: ..... Electric  
 Min. required niche size for installation (HxWxD): ..223 x 750-750 x 490-490 mm  
 Width of the appliance: ..... 812 mm  
 Dimensions: ..... 223 x 812 x 520 mm  
 Dimensions of the packed product (HxWxD): ... 430 x 950 x 660 mm  
 Net weight: ..... 27.2 kg  
 Gross weight: ..... 33.6 kg  
 Residual heat indicator: ..... Separate  
 Location of control panel: ..... Front  
 Basic surface material: ..... Ceramic  
 Color of surface: ..... Black, Stainless steel  
 Color of frame: ..... Stainless steel  
 Length electrical supply cord: ..... 110.0 cm  
 Sealed Burners: ..... No  
 Heating with booster: ..... All  
 Power of 2nd heating element (kW): ..... 3.3 kW  
 Maximum output air extraction: ..... 500 m³/h  
 Boost position output recirculating: ..... 595.0 m³/h  
 Maximum output recirculating air: ..... 499 m³/h  
 Boost position air extraction: ..... 622 m³/h  
 Noise level: ..... 69 dB(A) re 1 pW  
 Odour filter: ..... No  
 Air circulation: ..... Convertible  
 Voltage: ..... 220-240/380-415 V  
 Frequency: ..... 50-60 Hz  
 Included accessories: ..... 1 x Slider for unducted recirculation, 1 x Clean Air Plus odor filter



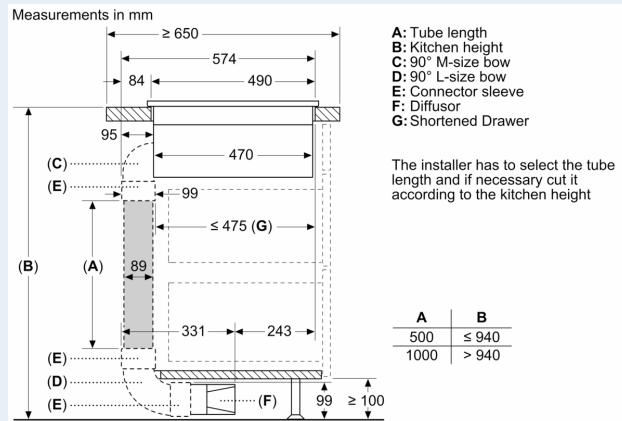
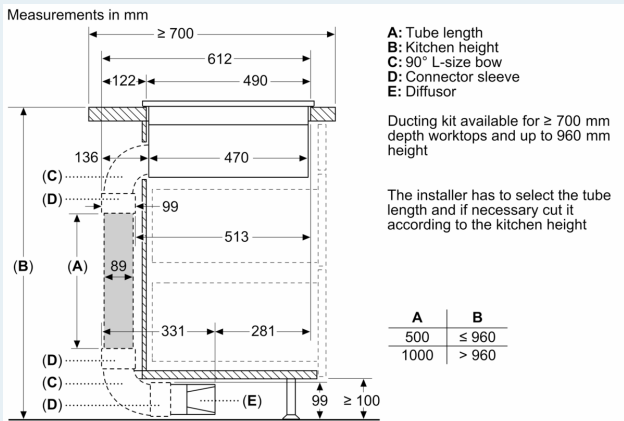
1 x Slider for unducted recirculation, 1 x Clean Air Plus odor filter

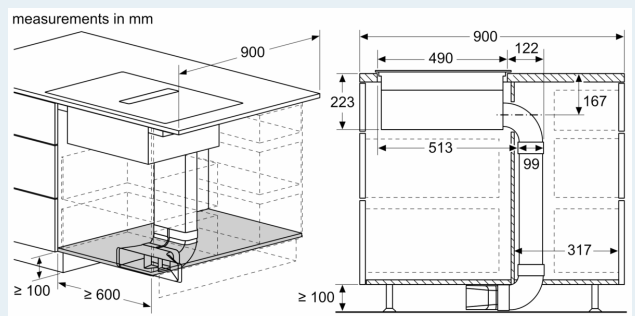
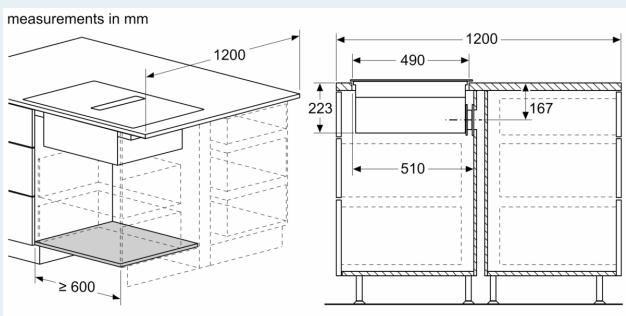
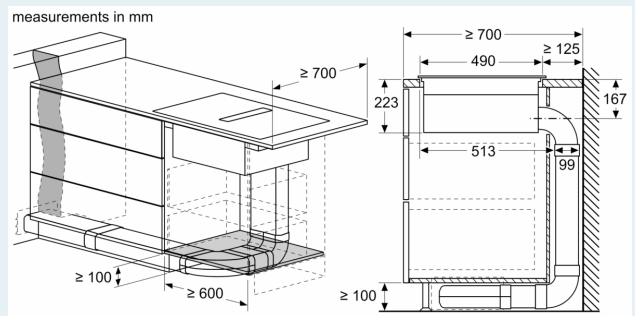
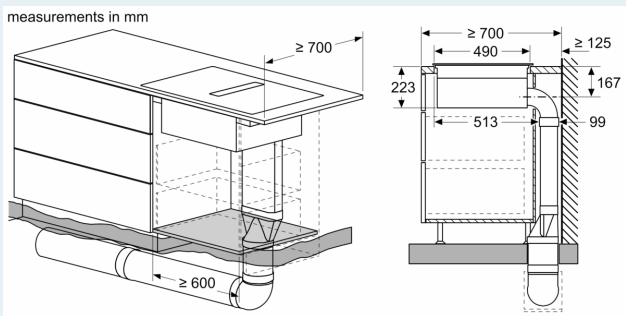
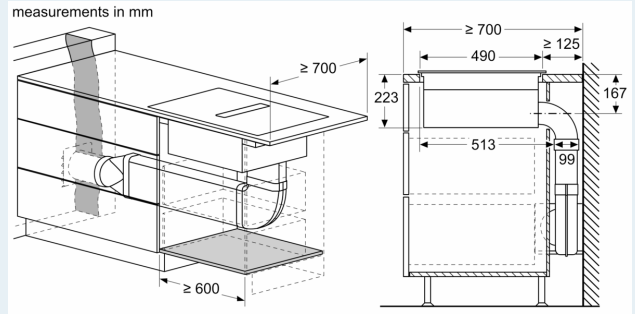
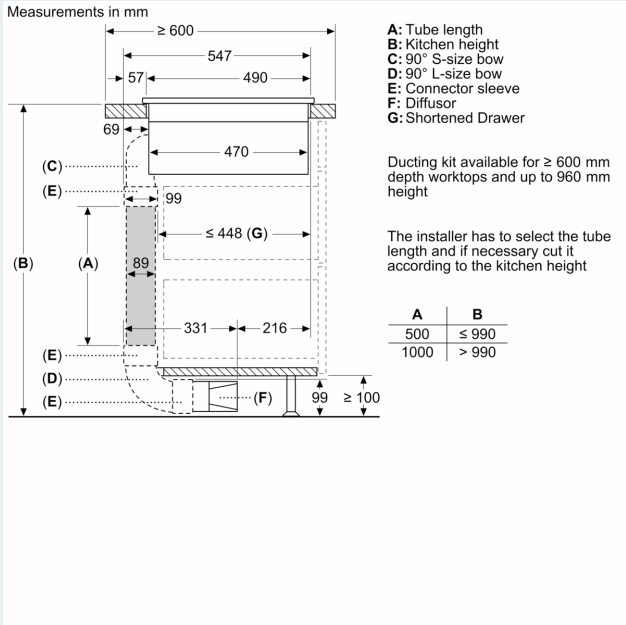
HZ32WA00 Wireless food thermometer, HZ390011 Stainless Steel roaster with glass lid, HZ390012 Steaming Rack for Stainless Steel roaster, HZ390090 Wok Set consisting of 3 items, HZ390210 System pan diameter 15 cm, HZ390220 System pan diameter 19 cm, HZ390230 System pan diameter 21cm, HZ39050 Wireless temperature sensor for cooktop, HZ390512 Teppan Yaki (large), HZ390522 Griddle Plate, HZ9FE280 Iron pan Ø 18 / 28 cm, HZ9FF010 Flex Pan, large, HZ9FF030 Flex Pan set, 3 pcs., HZ9FF040 Flex Pan set, 4 pcs., HZ9SE030 Set of 2 pots and 1 pan, HZ9SE040 4 pieces Set, HZ9SE060 6 pieces Set, HZ9TY010 Teppan Yaki, HZ9VDKE1 Exhaust kit, HZ9VDKRO Recirculation kit 2 L-bow (70cm), HZ9VDKR1 Recirculation kit S and L-bow (60cm), HZ9VDKR2 Recirculation kit 1x L-bow, HZ9VDSB1 90° flat duct bend horizontal, HZ9VDSB2 90° flat duct L vertical, HZ9VDSB3 90° flat duct M vertical, HZ9VDSB4 90° flat duct S vertical, HZ9VDSI0 Adapter round-flat, HZ9VDSI1 90° Adapter round-flat, HZ9VDSM1 Straight tube 500mm, HZ9VDSM2 Straight tube 1000mm, HZ9VDSS1 Connector sleeve (female), HZ9VDSS2 Flexibel connecting piece DN 150 flat, HZ9VEDU0 Acoustics Filter, HZ9VRCR0 cleanAir recirculation replenishment fil, HZ9VRCR1 Clean Air Plus odor filter (replacement), HZ9VRPD1 Plinth Diffusor

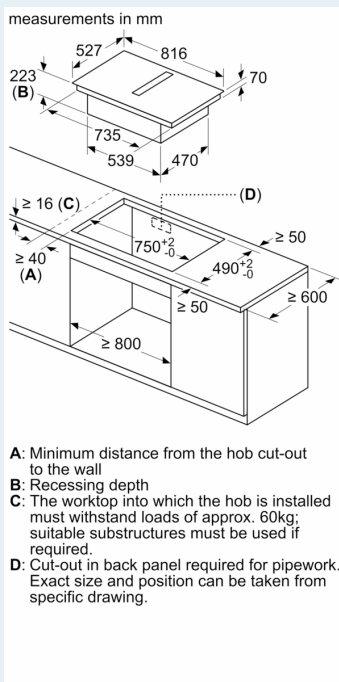
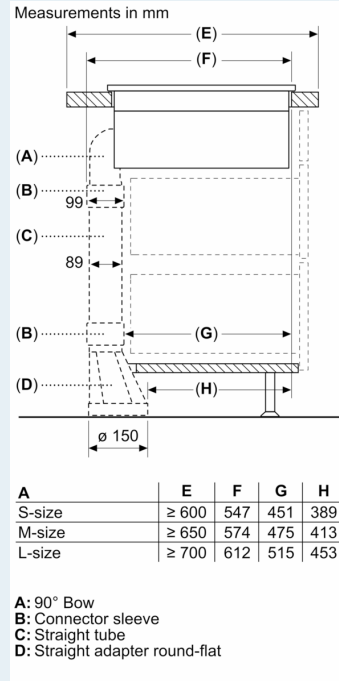
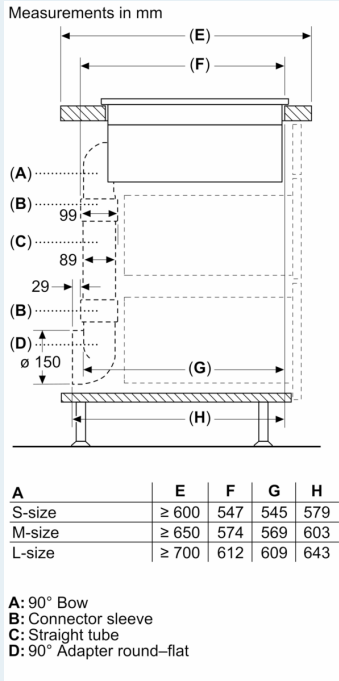
## iQ700, Induction hob with integrated ventilation system, 80 cm, surface mount with frame EX875LX67E



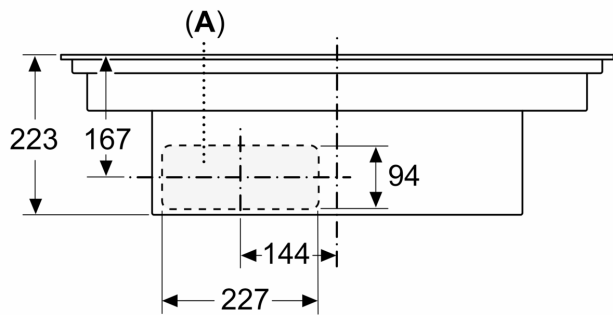
- A: Recess depth
- B: Cut-out in back panel required for pipework. Exact size and position can be taken from specific drawing.
- C: All 80 cm width class models can be installed in 60 cm wide furniture by adjusting the side panels.





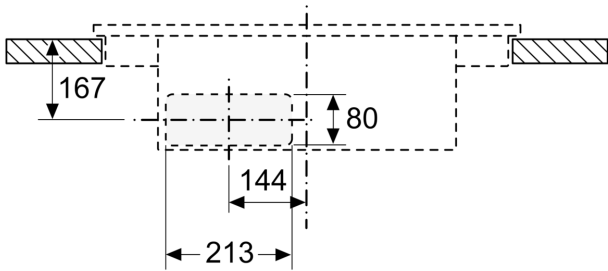


## measurements in mm Front view

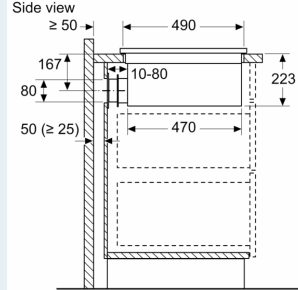


**A:** Connected directly at the rear

measurements in mm  
Front view - unit cut-out  
for unducted recirculation



measurements in mm



When installing directly against outer walls that are not insulated ( $\mu \geq 0.5 \text{ W/m}^2\text{°C}$ ), we recommend using partially or fully ducted recirculation configurations.

measurements in mm  
Front view

