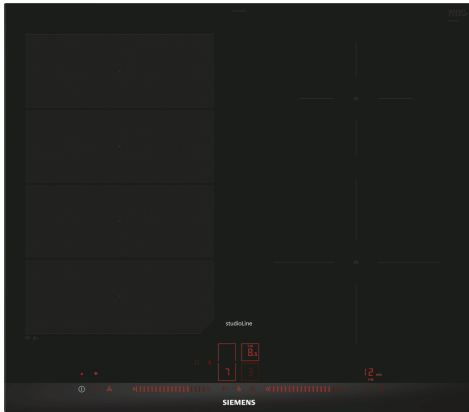


**iQ700, Induction hob, 60 cm,  
Black,  
EX677LEV5E**



The modern flexInduction cooktop - for greater flexibility when cooking.

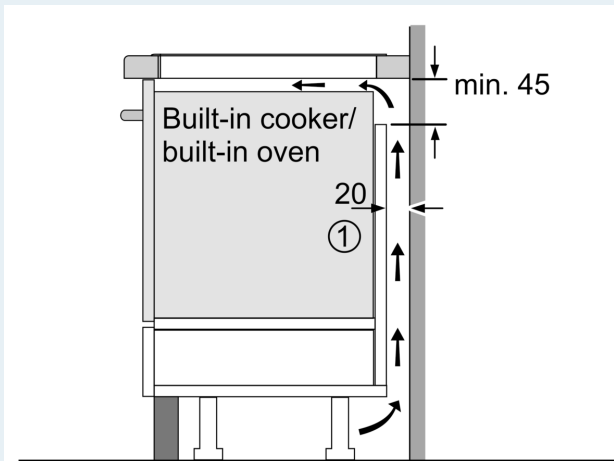
- ✓ flexInduction adapts the cooking zones to different cookware and pots up to 24 cm diameter – for more flexibility.
- ✓ Dual lightSlider lets you easily and intuitively operate the hob.
- ✓ Home Connect - Integrate your hob into the intelligent kitchen.
- ✓ fryingSensor Plus – No more burning or scorching your meals.
- ✓ powerMove Plus enables intuitive control thanks to three heating zones with different temperatures – activated by touch.

Product name/family: ..... Cooking zone ceramic  
 Built-in / Free-standing: ..... Built-in  
 Energy input: ..... Electric  
 Total number of positions that can be used at the same time: 4  
 Min. required niche size for installation (HxWxD): ....51 x 560-560 x 490-500 mm  
 Width of the appliance: ..... 602 mm  
 Dimensions: .....51 x 602 x 520 mm  
 Dimensions of the packed product (HxWxD): ... 126 x 753 x 603 mm  
 Net weight: ..... 12.1 kg  
 Gross weight: ..... 14.4 kg  
 Residual heat indicator: ..... Separate  
 Location of control panel: ..... Front  
 Basic surface material: ..... Ceramic  
 Color of surface: ..... Black  
 Length electrical supply cord: ..... 110.0 cm  
 Sealed Burners: ..... No  
 Heating with booster: ..... All  
 Power of 2nd heating element (kW): ..... 3.3 kW  
 Power of 5th heating element (kW): ..... 1.4 kW  
 Power of heating element (kW in boost): ..... [3.7] kW  
 Power of 5th heating element (kW in boost): ..... [2.2] kW  
 Connection Rating: ..... 7400 W  
 Voltage: ..... 220-240 V  
 Frequency: ..... 50; 60 Hz  
 Energy input: ..... Electric  
 Plug type: ..... No plug  
 Appliance Dimensions (h x w x d) (in): ..... x x  
 Dimensions of the packed product: ..... 4.96 x 23.74 x 29.64  
 Net weight: ..... 27.000 lbs  
 Gross weight: ..... 32.000 lbs  
 Total number of positions that can be used at the same time: 4  
 Length electrical supply cord: ..... 110.0 cm  
 Min. required niche size for installation (HxWxD): ....51 x 560-560 x 490-500 mm  
 Dimensions: .....51 x 602 x 520 mm  
 Dimensions of the packed product (HxWxD): ... 126 x 753 x 603 mm  
 Net weight: ..... 12.1 kg  
 Gross weight: ..... 14.4 kg



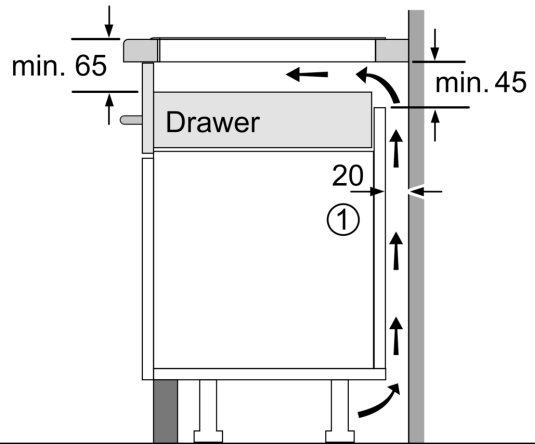
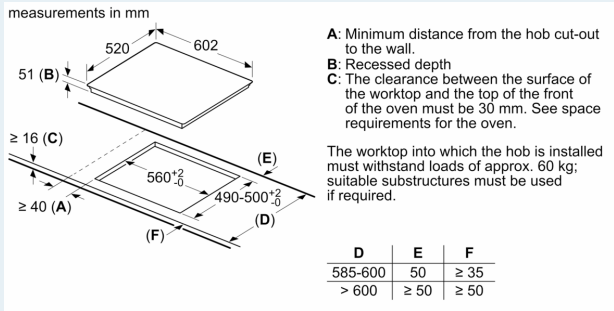
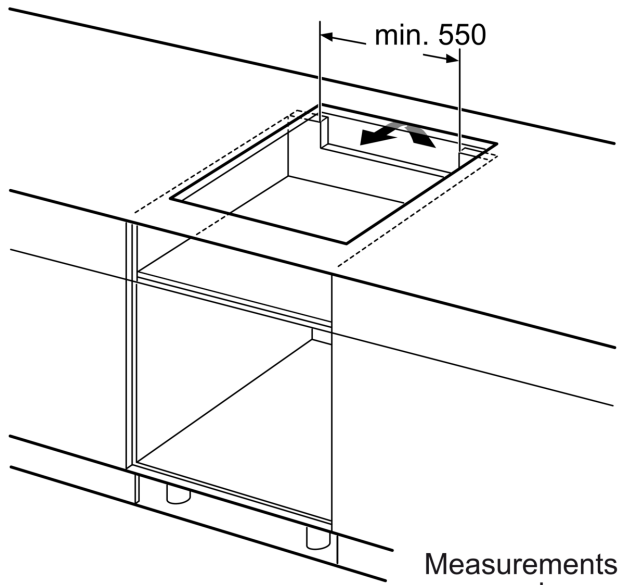
|          |  |
|----------|--|
| HZ390011 | Stainless Steel roaster with glas lid    |
| HZ390012 | Steaming Rack for Stainless Steel roaste |
| HZ390090 | Wok Set consisting of 3 Items            |
| HZ390512 | Teppan Yaki (large)                      |
| HZ390522 | Griddle Plate                            |
| HZ394301 | Connecting strip                         |
| HZ9FE280 | Iron pan Ø 18 / 28 cm                    |
| HZ9SE030 | Set of 2 pots and 1 pan                  |
| HZ9SE040 | 4 pieces Set                             |
| HZ9SE060 | 6 pieces Set                             |

**iQ700, Induction hob, 60 cm,  
Black,  
EX677LEV5E**



①  
Ventilation gap must  
be present

All measurements in mm



①  
Ventilation gap must  
be present.

Measurements in mm

