

iQ500, Modular Teppan yaki, 40 cm
ET475FYB1E



The Domino teppanyaki cooktop for preparing light, low-fat dishes the typical Japanese way.

- ✓ The 40 cm wide teppanyaki is ideal for combining with other Domino or faceted design cooktops.
- ✓ Depending on the requirements and quantities the two cooking zones can be heated together or separately.
- ✓ Allows to control the temperature by entering it directly or by moving the slider with a single finger - touchSlider Control.
- ✓ Easily keeps all dishes at a warm 70°C.
- ✓ Heats to 40°C so that grease deposits can be removed more easily.

Frequency: 50; 60 Hz
 Product name/family: Vario/Domino Teppan Yaki
 Built-in / Free-standing: Built-in
 Energy input: Electric
 Type of control: Electronic
 Grill grating material: Not applicable
 Required niche size for installation (HxWxD): 90 x x mm
 Width of the appliance: 392 mm
 Dimensions: 90x392x520 mm
 Dimensions of the packed product (HxWxD): ... 240 x 480 x 610 mm
 Net weight: 10.2 kg
 Gross weight: 12.3 kg
 Residual heat indicator: Separate
 Location of control panel: Front
 Basic surface material: Not applicable
 Color of surface: Stainless steel, Alu, brushed
 Length electrical supply cord: 100.0 cm
 Connection Rating: 1900 W
 Fuse protection: 13 A
 Voltage: 220-240 V
 Included accessories: 2 x spatula

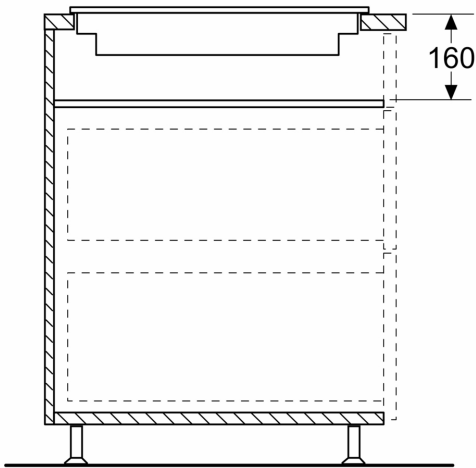


4 242003 689127

2 x spatula	
HZ32WA00	Wireless food thermometer
HZ394301	Connecting strip

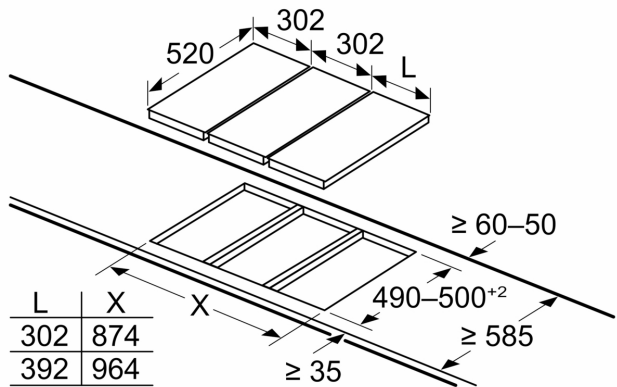
iQ500, Modular Teppan yaki, 40 cm
ET475FYB1E

Measurements in mm



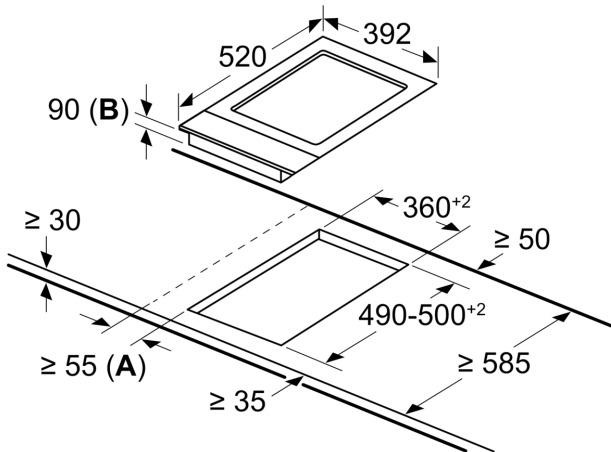
An intermediate floor must be installed below the appliance in accordance with the installation drawing

Measurements in mm



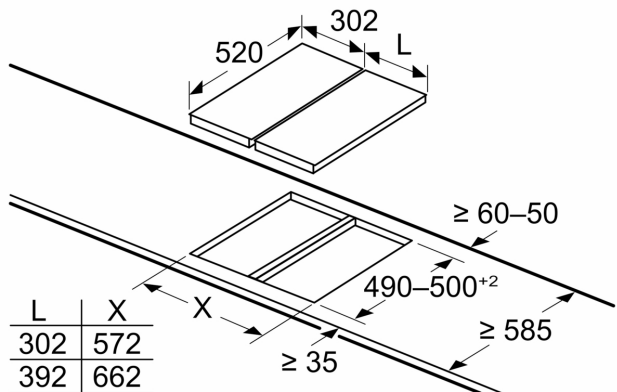
If two or more elements are installed right next to one another, one or several installation kits are required (2 elements 1 installation kit, 3 elements 2 installation kits, etc.)

measurements in mm



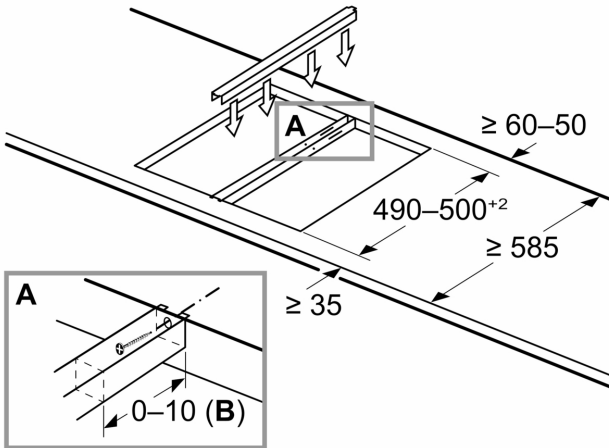
A: Minimum distance from the hob cut-out to the wall
B: Maximum recessed depth

Measurements in mm



If two or more elements are installed right next to one another, one or several installation kits are required (2 elements 1 installation kit, 3 elements 2 installation kits, etc.)

Measurements in mm
Assembly kit (HZ394301) for Domino



B: Dependent on the cut-out depth

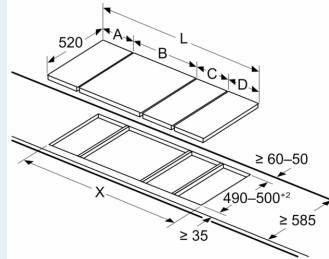
measurements in mm
 Domino combination options with corresponding
 appliance and cut-out dimensions

Width category: 30 40 60 70 80 90
 Appliance width: 302 392 602 710 812 912

	A	B	C	D	L	X
2x30	302	302	-	-	604	572
1x30, 1x40	302	392	-	-	694	662
1x30, 1x60	302	602	-	-	904	872
1x30, 1x70*	302	710	-	-	1012	980
1x30, 1x80	302	812	-	-	1114	1082
1x30, 1x90	302	912	-	-	1214	1182
2x40	392	392	-	-	784	752
1x40, 1x60	392	602	-	-	994	962
1x40, 1x70*	392	710	-	-	1102	1070
1x40, 1x80	392	812	-	-	1204	1172
1x40, 1x90	392	912	-	-	1304	1272
3x30	302	302	302	-	906	874
2x30, 1x40	302	302	392	-	996	964
2x30, 1x60	302	302	602	-	1206	1174
2x30, 1x70*	302	302	710	-	1314	1282
2x30, 1x80	302	302	812	-	1416	1384
2x30, 1x90	302	302	912	-	1516	1484
1x30, 2x40	302	392	392	-	1086	1054
1x30, 1x40, 1x60	302	392	602	-	1296	1264
1x30, 1x40, 1x70*	302	392	710	-	1404	1372
1x30, 1x40, 1x80	302	392	812	-	1506	1474
1x30, 1x40, 1x90	302	392	912	-	1606	1574
3x40	392	392	392	-	1176	1144
2x40, 1x60	392	392	602	-	1386	1354
4x30	302	302	302	302	1208	1176
3x30, 1x40	302	302	302	392	1298	1266
2x30, 2x40	302	302	392	392	1388	1356
1x30, 3x40	302	392	392	392	1478	1446
1x30, 1x75	302	750	-	-	1052	1016
1x40, 1x75	392	750	-	-	1142	1106
2x30, 1x75	302	302	750	-	1354	1318
1x30, 1x40, 1x75	302	392	750	-	1444	1408

* Not possible with 70 cm induction hob

Measurements in mm
Picture for the table Domino combination possibilities with corresponding devices and cutout dimensions



If two or more elements are installed right next to one another, one or several installation kits are required (2 elements 1 installation kit, 3 elements 2 installation kits, etc.)

Cutout dimension (X) depending on the combination (see combination table)