

iQ500
ET375FUB1E
30 cm Black Electronic control cooking zone



Included accessories

1 x lava stones

Grilling with pleasure in the kitchen – perfect grilling results with a minimum of smoke thanks to the Domino lava grill.

- ✓ The 30 cm wide lava grill is ideal for combining with other Domino or faceted design cooktops.
- ✓ touchSlider control allows to control the temperature by entering it directly or by moving the slider with a single finger.
- ✓ Tastefully integrated into the Domino unit when not in use, thanks to the high-quality glass ceramic cover.
- ✓ Two grill variants – grilling over lava stones or water bath.

Features

Technical Data

Product name/family : Vario/Domino barbecue grill
 Built-in / Free-standing : Built-in
 Energy input : Electric
 Type of control : Electronic
 Grill grating material : Cast iron
 Required niche size for installation (HxWxD) : 236 x x
 Width of the product (mm) : 302
 Dimensions of the product (mm) : 236 x 302 x 520
 Dimensions of the packed product (HxWxD) (mm) : 280 x 385 x 610
 Net weight (kg) : 12.638
 Gross weight (kg) : 15.0
 Residual heat indicator : Separate
 Basic surface material : Cast iron
 Color of surface : Alu, brushed, Black
 Color of frame : Alu, brushed
 Approval certificates : Australia Standards, CE, Eurasian, Ukraine, VDE
 Length electrical supply cord (cm) : 100
 Electrical connection rating (W) : 2400
 Current (A) : 13
 Voltage (V) : 220-240
 Frequency (Hz) : 50; 60



iQ500**ET375FUB1E****30 cm Black Electronic control cooking zone****Features****Design:**

- Electronic display, red
- Cooking zone power: 3.3kW, 3.6kW with booster
- ET375FUB1E
- Removable ceramic black glass lid

Features:

- Removable cast iron grille for easy cleaning
- Stainless steel grill to be used with water or lava stones (Lava stones included)
-
-
- Electronic display
- 17 power levels
-
-
-
- Wipe protection function
-
-
- Basin capacity: 2.5 l
- Cutout Dimensions (W x D): NO_FEATURE x NO_FEATURE

NO_FEATURE

- Main on/off switch
- Power on indicator light
-
-
- Two stage residual heat indicators
- Safety lock
- Automatic safety switch off
- Appliance dimensions (H x W x D): 24 cm x 30 cm x 52 cm

Professional equipment:

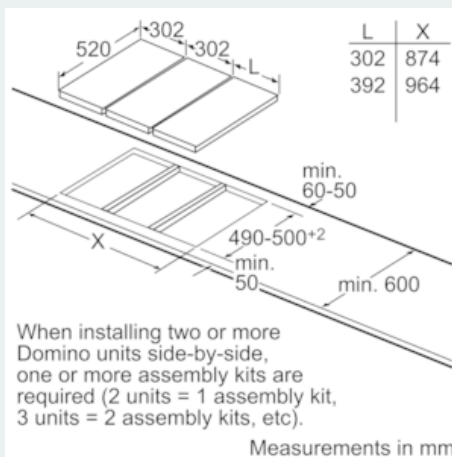
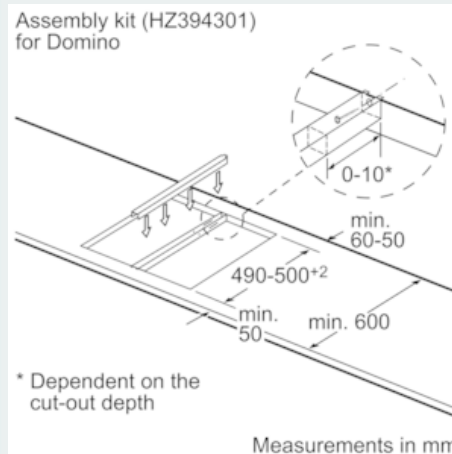
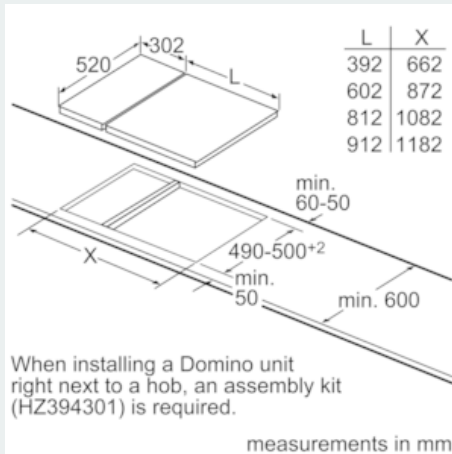
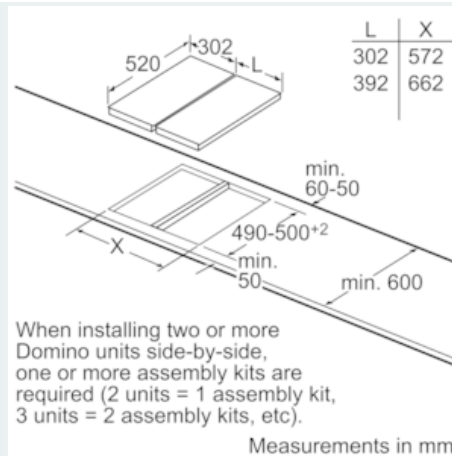
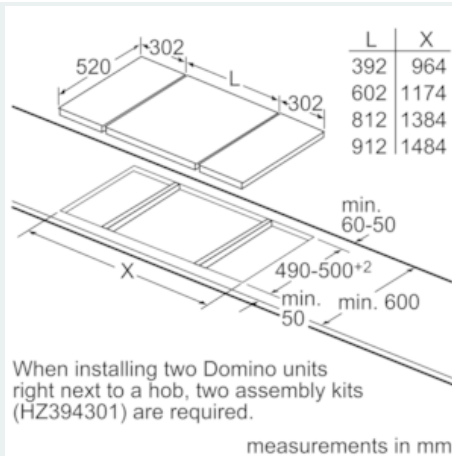
-
-

Dimensions:

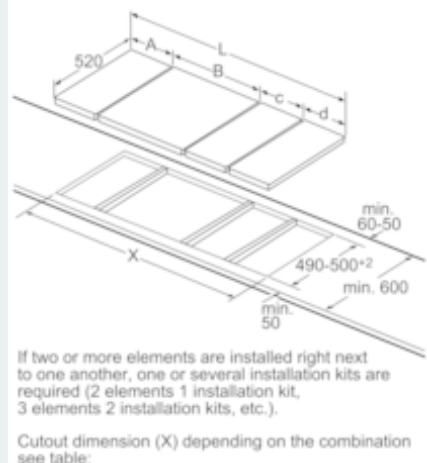
- Appliance Dimensions (HxWxD): 23.6 cm x 30.2 cm x 52 cm

iQ500 ET375FUB1E 30 cm Black Electronic control cooking zone

Dimensioned drawings



Picture for the table Domino combination possibilities with corresponding devices and cutout dimensions



iQ500 ET375FUB1E 30 cm Black Electronic control cooking zone

Dimensioned drawings

measurements in mm
Domino combination options with
corresponding appliance and cut-out dimensions

Width type: 30 40 60 70 80 90
Appliance width: 302 392 602 710 812 912

	A	B	C	D	L	X
2x30	302	302	-	-	604	572
1x30, 1x40	302	392	-	-	694	662
1x30, 1x60	302	602	-	-	904	872
1x30, 1x70*	302	710	-	-	1012	980
1x30, 1x80	302	812	-	-	1114	1082
1x30, 1x90	302	912	-	-	1214	1182
2x40	392	392	-	-	784	752
1x40, 1x60	392	602	-	-	994	962
1x40, 1x70*	392	710	-	-	1102	1070
1x40, 1x80	392	812	-	-	1204	1172
1x40, 1x90	392	912	-	-	1304	1272
3x30	302	302	302	-	906	874
2x30, 1x40	302	302	392	-	996	964
2x30, 1x60	302	302	602	-	1206	1174
2x30, 1x70*	302	302	710	-	1314	1282
2x30, 1x80	302	302	812	-	1416	1384
2x30, 1x90	302	302	912	-	1516	1484
1x30, 2x40	302	392	392	-	1086	1054
1x30, 1x40, 1x60	302	392	602	-	1296	1264
1x30, 1x40, 1x70*	302	392	710	-	1404	1372
1x30, 1x40, 1x80	302	392	812	-	1506	1474
1x30, 1x40, 1x90	302	392	912	-	1606	1574
3x40	392	392	392	-	1176	1144
2x40, 1x60	392	392	602	-	1386	1354
4x30	302	302	302	302	1208	1176
3x30, 1x40	302	302	302	392	1298	1266
2x30, 2x40	302	302	392	392	1388	1356
1x30, 3x40	302	392	392	392	1478	1446
1x30, 1x75	302	750	-	-	1052	1016
1x40, 1x75	392	750	-	-	1142	1106
2x30, 1x75	302	302	750	-	1354	1318
1x30, 1x40, 1x75	302	392	750	-	1444	1408

* Not possible with 70 cm induction hob