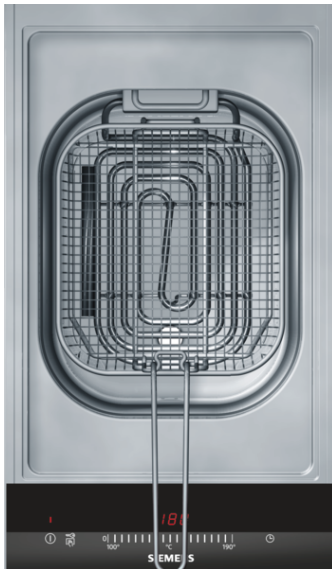


iQ500
ET375FAB1E
30 cm stainless steel Electronic control
cooking zone



Included accessories

1 x deep-fat frying basket

The modern Domino deep fryer for crispy fish, meat, vegetables and baked goods.

- ✓ The 30 cm wide deep fryer is ideal for combining with other Domino or faceted design cooktops.
- ✓ Large, high-quality stainless-steel container holds up to 4 litres of deep-frying fat.
- ✓ Tastefully integrated into the Domino unit when not in use, thanks to the high-quality glass ceramic cover.

Features

Technical Data

Product name/family : Vario/Domino deep fryer
 Built-in / Free-standing : Built-in
 Energy input : Electric
 Type of control : Electronic
 Required niche size for installation (HxWxD) : 367 x x
 Width of the product (mm) : 302
 Dimensions of the product (mm) : 367 x 302 x 520
 Dimensions of the packed product (HxWxD) (mm) : 365 x 385 x 605
 Net weight (kg) : 8.425
 Gross weight (kg) : 11.0
 Power on indicator : Yes
 Type of regulation : Stepless energy regulated
 Basic surface material : Stainless steel
 Color of surface : Alu, brushed, Stainless steel
 Color of frame : Alu, brushed
 Approval certificates : CE, VDE
 Length electrical supply cord (cm) : 100
 Electrical connection rating (W) : 2500
 Current (A) : 13
 Voltage (V) : 220-240
 Frequency (Hz) : 60; 50



iQ500**ET375FAB1E****30 cm stainless steel Electronic control cooking zone****Features****Design:**

- Electronic display, red
- Cooking zone power: 3.3kW, 3.6kW with booster
- ET375FAB1E
- Removable ceramic black glass lid

Features:

- Huge frying basin (ca. 3-4 l)
- Basket with hanger to turn down
- Oil drainage outlet
-
-
- Electronic display
-
-
- Grease melting point
- Cold oil zone
-
-
- Count down function
- Wipe protection function
-
-
- Cutout Dimensions (W x D): NO_FEATURE x NO_FEATURE

NO_FEATURE

- Main on/off switch
- Power on indicator light
-
-
- Safety lock
- Automatic safety switch off
- Appliance dimensions (H x W x D): 37 cm x 30 cm x 52 cm

Professional equipment:

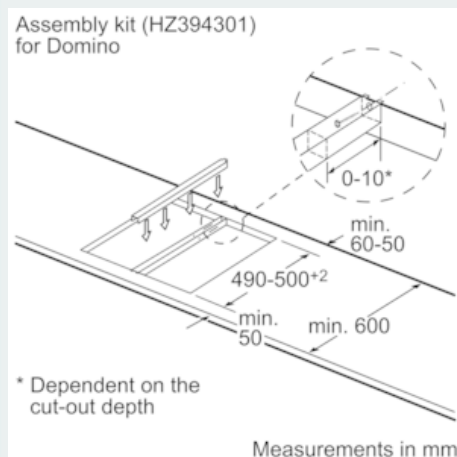
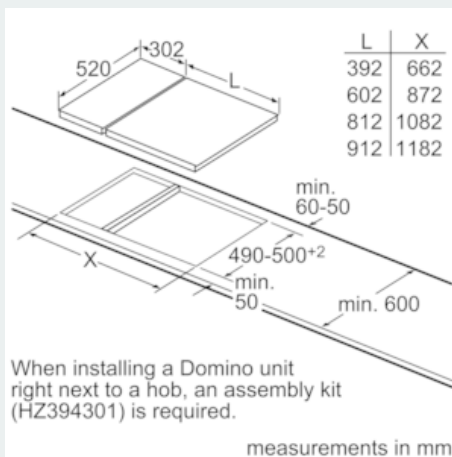
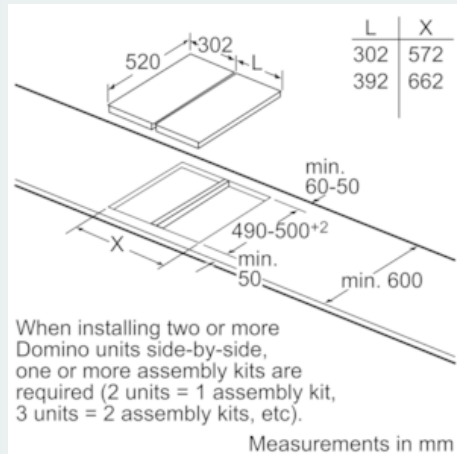
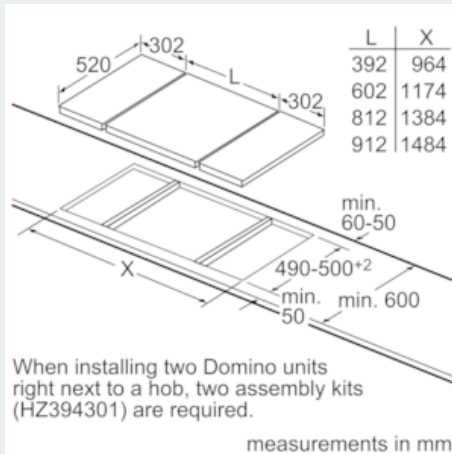
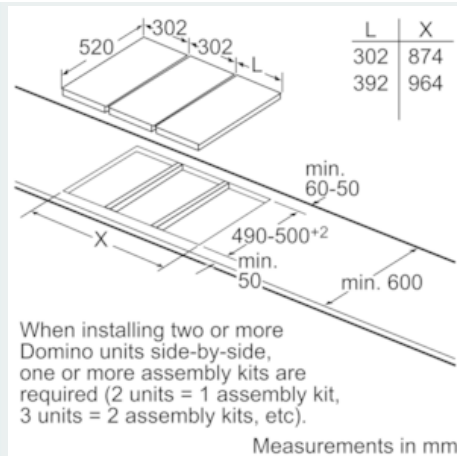
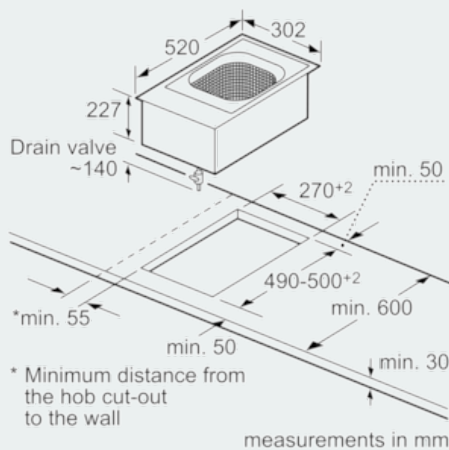
-
-

Dimensions:

- Appliance Dimensions (HxWxD): 36.7 cm x 30.2 cm x 52 cm

iQ500
ET375FAB1E
30 cm stainless steel Electronic control
cooking zone

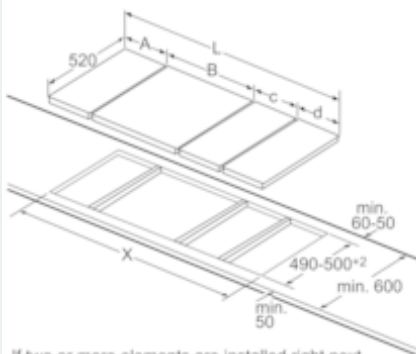
Dimensioned drawings



iQ500
ET375FAB1E
30 cm stainless steel Electronic control
cooking zone

Dimensioned drawings

Picture for the table Domino combination possibilities with corresponding devices and cutout dimensions



If two or more elements are installed right next to one another, one or several installation kits are required (2 elements 1 installation kit, 3 elements 2 installation kits, etc.).

measurements in mm
 Domino combination options with corresponding appliance and cut-out dimensions

Width type: 30 40 60 70 80 90
 Appliance width: 302 392 602 710 812 912

	A	B	C	D	L	X	Dimensions in mm
2x30	302	302	-	-	604	572	
1x30, 1x40	302	392	-	-	694	662	
1x30, 1x60	302	602	-	-	904	872	
1x30, 1x70*	302	710	-	-	1012	980	
1x30, 1x80	302	812	-	-	1114	1082	
1x30, 1x90	302	912	-	-	1214	1182	
2x40	392	392	-	-	784	752	
1x40, 1x60	392	602	-	-	994	962	
1x40, 1x70*	392	710	-	-	1102	1070	
1x40, 1x80	392	812	-	-	1204	1172	
1x40, 1x90	392	912	-	-	1304	1272	
3x30	302	302	302	-	906	874	
2x30, 1x40	302	302	392	-	996	964	
2x30, 1x60	302	302	602	-	1206	1174	
2x30, 1x70*	302	302	710	-	1314	1282	
2x30, 1x80	302	302	812	-	1416	1384	
2x30, 1x90	302	302	912	-	1516	1484	
1x30, 2x40	302	392	392	-	1086	1054	
1x30, 1x40, 1x60	302	392	602	-	1286	1264	
1x30, 1x40, 1x70*	302	392	710	-	1404	1372	
1x30, 1x40, 1x80	302	392	812	-	1506	1474	
1x30, 1x40, 1x90	302	392	912	-	1606	1574	
3x40	392	392	392	-	1176	1144	
2x40, 1x60	392	392	602	-	1386	1354	
4x30	302	302	302	302	1208	1176	
3x30, 1x40	302	302	302	392	1296	1266	
2x30, 2x40	302	302	392	392	1386	1356	
1x30, 3x40	302	392	392	392	1478	1446	
1x30, 1x75	302	750	-	-	1052	1016	
1x40, 1x75	392	750	-	-	1142	1106	
2x30, 1x75	302	302	750	-	1354	1318	
1x30, 1x40, 1x75	302	392	750	-	1444	1408	

* Not possible with 70 cm induction hob