

## iQ500, Gas hob, 90 cm, Black EP9A6QB90I



### Included accessories

1 x WOK attachment ring

Gas cooktop with stepFlame Technology for precise flame control in nine steps.

- ✓ stepFlame Technology: precise heat control with nine different flame steps.
- ✓ This wok burner with up to 4000 W of power is ideal for a wide variety of foods, even in large quantities.
- ✓ Extremely heat-resistant and easy to clean – the modern hard glass surface.
- ✓ High-quality materials and workmanship – continuous cast-iron pan supports.

### Features

#### Technical Data

Product name/family : gas hob w integrated controls  
 Construction type : Built-in  
 Energy input : Gas  
 Total number of positions that can be used at the same time : 5  
 Required niche size for installation (HxWxD) : 45 x 850-852 x 490-502  
 Width of the product (mm) : 915  
 Dimensions of the product (mm) : 45 x 915 x 520  
 Dimensions of the packed product (HxWxD) (mm) : 165 x 1116 x 659  
 Net weight (kg) : 22.804  
 Gross weight (kg) : 25.0  
 Residual heat indicator : without  
 Location of control panel : Hob front  
 Basic surface material : Hard Glass  
 Color of surface : Black  
 Color of frame : Black  
 Length electrical supply cord (cm) : 150  
 Knob Material : Plastic  
 Sealed Burners : No  
 Electrical connection rating (W) : 1  
 Gas connection rating (W) : 11500  
 Current (A) : 3  
 Voltage (V) : 220-240  
 Frequency (Hz) : 60; 50  
 Main colour of product : Black  
 Energy input : Gas  
 Gas type : Liquidgas G30,31 28-30/37 mbar  
 Alternative gas type : Nat gas H/E/(L) 20 (25) mbar  
 Plug type : India plug (6 Ampere)  
 Appliance Dimensions (h x w x d) (in) : + x x  
 Dimensions of the packed product (in) : 6.49 x 25.94 x 43.93  
 Net weight (lbs) : 50  
 Gross weight (lbs) : 55  
 Total number of positions that can be used at the same time : 5  
 Length electrical supply cord (cm) : 150  
 Required niche size for installation (HxWxD) : 45 x 850-852 x 490-502  
 Dimensions of the product (mm) : 45 x 915 x 520  
 Dimensions of the packed product (HxWxD) (mm) : 165 x 1116 x 659  
 Net weight (kg) : 22.804  
 Gross weight (kg) : 25.0



## iQ500, Gas hob, 90 cm, Black EP9A6QB90I

### Features

#### Cooking Zone

- 5 gas burners
- Front left Economy burner maximum power: 1,000 W (depending on gas type)
- Rear left Standard burner maximum power: 1,750 W (depending on gas type)
- Centre work burner maximum power: 4,000 W (depending on gas type)
- Front right Standard burner maximum power: 1,750 W (depending on gas type)
- Rear right High-speed burner maximum power: 3,000 W (depending on gas type)

#### Design

- Black glass base
- Sword control knobs
- Cast iron separable w rub feet

#### Features:

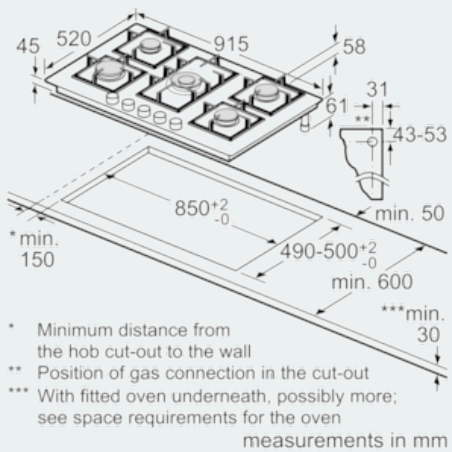
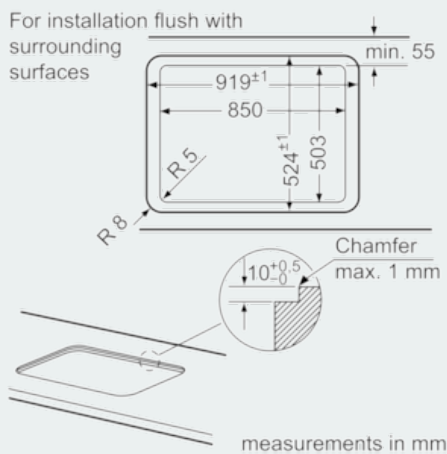
- stepFlame Technology
- Gas connection rating: 11,500 W
- Preset for liquid gas, (28 - 30/37 mbar)
- Flame failure safety device
- Length electrical supply cord: 150 cm

#### Dimensions:

- Dimensions of the product (HxWxD mm) : 45 x 915 x 520
- Required niche size for installation (HxWxD mm) : 45 x 850 - 852 x 490-502

iQ500, Gas hob, 90 cm, Black  
EP9A6QB90I

Dimensioned drawings



- \* Minimum distance from the hob cut-out to the wall
- \*\* Position of gas connection in the cut-out
- \*\*\* With fitted oven underneath, possibly more; see space requirements for the oven