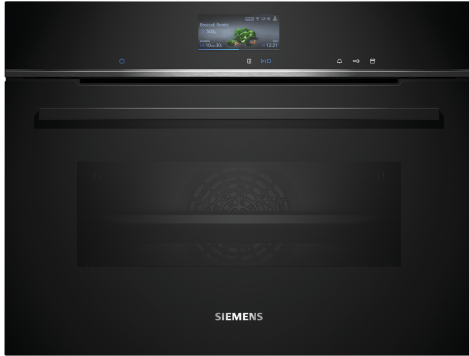


iQ700, Built-in compact oven with steam function, 60 x 45 cm, Black CS736G1B1



- ✓ cookControl Pro – Excellent results, whatever the recipe or circumstances.
- ✓ Oven Assistant with Voice Control – Intuitively set the right programme.
- ✓ Cut down on oven cleaning – ecoClean.
- ✓ humidClean Plus - For fast cleaning dirt is softened beforehand by vaporizing soapy water. It can then be removed more easily.
- ✓ fullSteam Plus – Fast and healthy steam-cooking.

Gross weight: 82.000 lbs
 Built-in / Free-standing: Built-in
 Door opening: Drop down
 Min. required niche size for installation (HxWxD): 450-455 x 560-568 x 550 mm
 Dimensions: 455 x 594 x 548 mm
 Dimensions of the packed product (HxWxD): ... 520 x 650 x 700 mm
 Control Panel Material: Glass
 Door Material: Glass
 Net weight: 34.9 kg
 Length electrical supply cord: 150.0 cm
 Heating Types: Defrost, Steam, Dough proving, Reheating, 4D hot air, Full width grill, Hotair gentle, Half width grill, Conventional heat, Conventional heat gentle, Pizza setting, low temperature cooking, Deep-frozen food special, Bottom heat, Hot air grilling, pre-heating, warming
 Time-setting Options: Start and Stop
 Fuse protection: 16 A
 Voltage: 220-240 V
 Frequency: 50; 60 Hz
 Plug type: Gardy plug w/ earthing
 Energy input: Electric
 Fuse protection: 16 A
 Voltage: 220-240 V
 Frequency: 50; 60 Hz
 Plug type: Gardy plug w/ earthing
 Dimensions of the packed product: 20.47 x 25.59 x 27.55
 Net weight: 77.000 lbs
 Included accessories: 1 x grid, 1 x universal pan, 1 x steam container, punched, size XL, 1 x Steam container, punched, size M, 1 x Steam container, unpunched, size M



iQ700, Built-in compact oven with steam function, 60 x 45 cm, Black CS736G1B1

Heating Functions

- Temperature range 30 °C - 250 °C
- Cavity volume: 47 l

Hook-in racks / rails

Design

- Cavity inner surface: enamel anthracite

Colour display: Full Color

- Ecolyse features: back panel
- hydrolyse program

Comfort

- LED display control (red)
- electronic clock with LED display
- Oven door with Drop down door, soft closing, soft opening
- Rapid heating-up
- coolStart
- Rapid heating-up: automatic
- Tank empty indicator
- Location of the steam generator is outside of the cavity
- Integral cooling fan
- HomeConnect ready on WLAN

Accessories

- 1 x Steam container, punched, size M, 1 x Steam container, unpunched, size M, 1 x grid, 1 x steam container, punched, size XL, 1 x universal pan

Connecting cable: 150 cm

- Child lock
- Automatic safety switch off residual heat indicator Start-/Stop button door contact switch

Technical Information

- Length of mains cable: 150 cm
- Nominal voltage: 220 - 240 V
- Total connected load electric: 3.3 KW
- Energy efficiency rating (acc. EU Nr. 65/2014): A+(at a range of energy efficiency classes from A+++ to D)
- Energy consumption per cycle in conventional mode:0.73 kWh
- Energy consumption per cycle in fan-forced convection mode:0.61 kWh
- Number of cavities: 1 Heat source: electrical Cavity volume:47 l
- Energy efficiency rating (acc. EU Nr. 65/2014):A+(at a range of energy efficiency classes from A+++ to D)
- Energy consumption per cycle in conventional mode:0.73 kWh
- Energy consumption per cycle in fan-forced convection mode:0.61 kWh
- Number of cavities: 1 Heat source: electrical Cavity volume:47 l

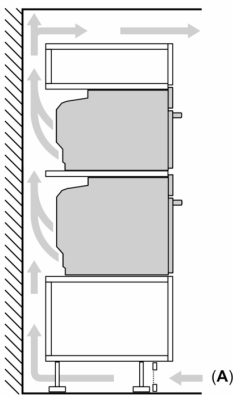
Dimensions:

- Appliance dimension (hxwxd): 455 mm x 594 mm x 548 mm

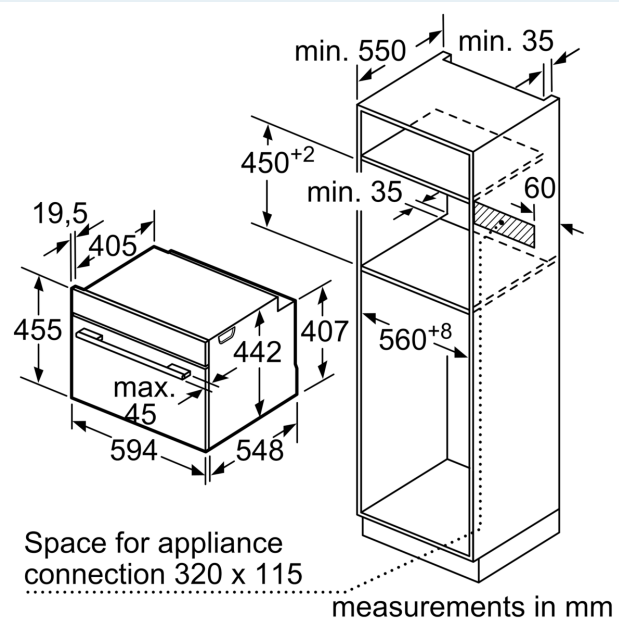
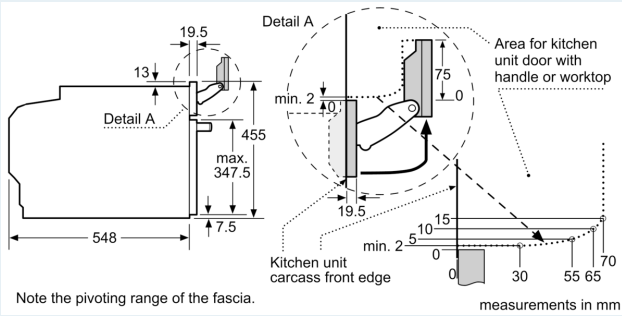
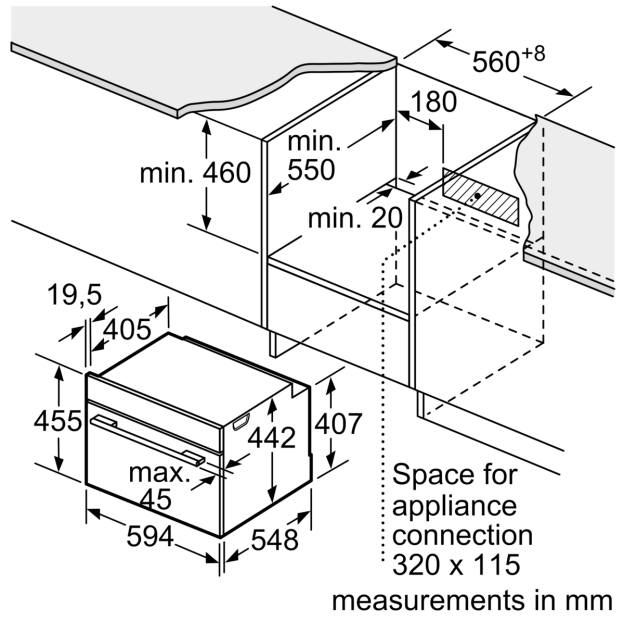
- Required niche size for installation (HxWxD): 450 mm - 455 mm x 560 mm - 568 mm x 550 mm
- Please reference the built-in dimensions provided in the installation drawing

iQ700, Built-in compact oven with steam function, 60 x 45 cm, Black CS736G1B1

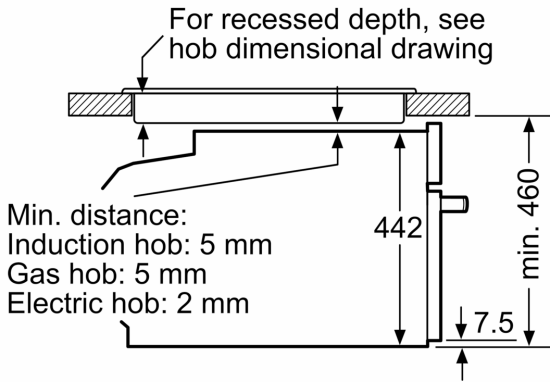
Installing two appliances on top of each other
Air exchange



A: Air inlet $\geq 200 \text{ cm}^2$



Installation with a hob.



measurements in mm

If the compact appliance will be installed underneath a hob, the following worktop thicknesses (including substructure if necessary) must be taken into account.

Hob type	min. worktop thickness	
	fitted	flush
Induction hob	42 mm	43 mm
Full surface Induction hob	52 mm	53 mm
Gas hob	32 mm	43 mm
Electric hob	32 mm	35 mm