

iQ700, Built-in compact oven with steam function, 60 x 45 cm, Stainless steel CS656GBS1



Accessories

1 x grid, 1 x universal pan, punched, size XL, 1 x steam container, unpunched, size S

Optional accessories

HZ638D18 1 telescopic rail, full ext, 45cm, steam, HZ664000 Baking and roasting grid (steam), HZ66X600 Decor list, HZ66X650 Cover Strip, HZ6FCC0 Cookbook, HZ915003 Glass roasting dish, 5,4 L, HZG0AS00 Connecting cable 3m, HZ632070 Multipurpose pan, enamelled, HZ636000 Glass pan, HZ327000 Baking stone, HZ36D613 Steam container, unpunched, size S, HZ36D613G Steam container, punched, size S, HZ36D663G Steam container, punched size XL, HZ531010 Baking tray, non-stick ceramic coated, HZ532010 Universal pan, non-stick ceramic coated, HZ617000 Pizza pan, enamelled, HZ625071 Grill tray, enamelled, HZ631070 Baking tray, enamelled

The compactoven with fullSteam function

Technical specifications

Gross weight: 82.000 lbs
 Built-in / Free-standing: Built-in
 Door opening: Drop down
 Required niche size for installation (HxWxD): ..450-455 x 560-568 x 550 mm
 Dimensions: 455x594x548 mm
 Dimensions of the packed product (HxWxD): ... 520 x 650 x 710 mm
 Control Panel Material: Stainless steel
 Door Material:Glass
 Net weight: 36.1 kg
 Length electrical supply cord: 150.0 cm
 Heating Types: Defrost, Steam 100%, fermentation, Regeneration, 4D hot air, Full width grill, Hot Air-Eco, Half width grill, Conventional heat, Conventional heat ECO, Pizza setting, low temperature cooking, Deep-frozen food special, Bottom heat, Hot air grilling, pre-heating, warming
 Time-setting Options: Start and Stop
 Fuse protection: 16 A
 Voltage: 220-240 V
 Frequency: 60; 50 Hz
 Plug type: Gardy plug w/ earthing
 Energy input: Electric
 Fuse protection: 16 A
 Voltage: 220-240 V
 Frequency: 60; 50 Hz
 Plug type: Gardy plug w/ earthing
 Dimensions of the packed product: 20.47 x 25.59 x 27.95
 Net weight: 80.000 lbs
 Included accessories: 1 x grid, 1 x universal pan, 1 x steam container, punched, size S, 1 x steam container, punched, size XL, 1 x steam container, unpunched, size S



iQ700, Built-in compact oven with steam function, 60 x 45 cm, Stainless steel CS656GBS1

Design

- Full Color TFT display
- Bar handle
- Rotary control knob

Heating Functions

- Cavity volume: 47 l
- Compact steam oven with 13 heating methods:
- 4D hot air
- Hot Air-Eco Conventional heat Conventional heat ECO hot air grilling Full width grill Half width grill pizza setting Deep-frozen food special bottom heat Soft steaming Plate warming setting Hold warm setting
- Additional heating methods with steam: Steam, Reheating, Dough proving, Defrost
- Number of cooking modes: 13 PC
- Full-glass inner door
- Cavity inner surface: enamel anthracite
- electronic clock with LED display
- 1 x universal pan, 1 x grid, 1 x steam container, punched, size XL, 1 x steam container, punched, size S, 1 x steam container, unpunched, size S
- Integral cooling fan
- Temperature range 30 °C - 250 °C
- Length of mains cable: 150 cm
- LED display control (red)
- Additional functions:
- Descaling programme
- autom. boiling point detection drying function
- Rapid heating-up
- Rapid heating-up: automatic
- Water tank capacity 1 l
- Tank empty indicator
- Location of the steam generator is outside of the cavity
- Door temperature -BSH internal: 40 °C

Hook-in racks / rails

- Please reference the built-in dimensions provided in the installation drawing
- Number of glass panes: 3 PC
- Electronic functions :
- Temperature proposal
- Heating-up control Actual temperature display Sabbath setting
- Rapid heating-up: automatic
- Child lock
- Automatic safety switch off residual heat indicator Start-/Stop button door contact switch
- activeKlean setting

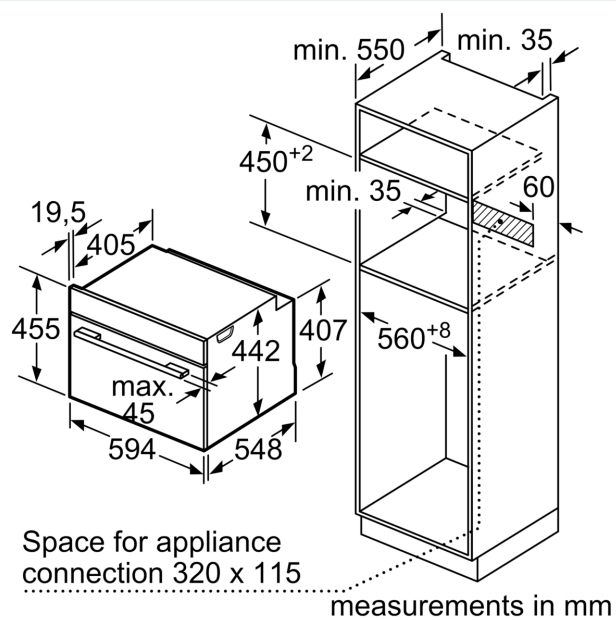
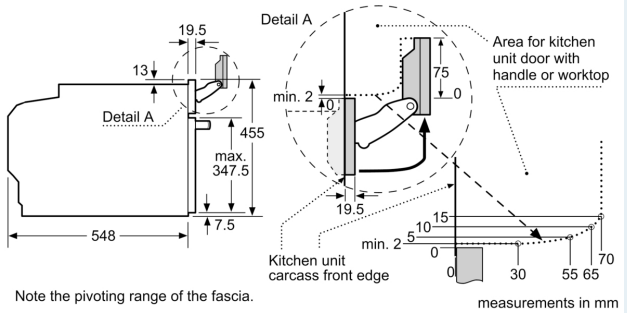
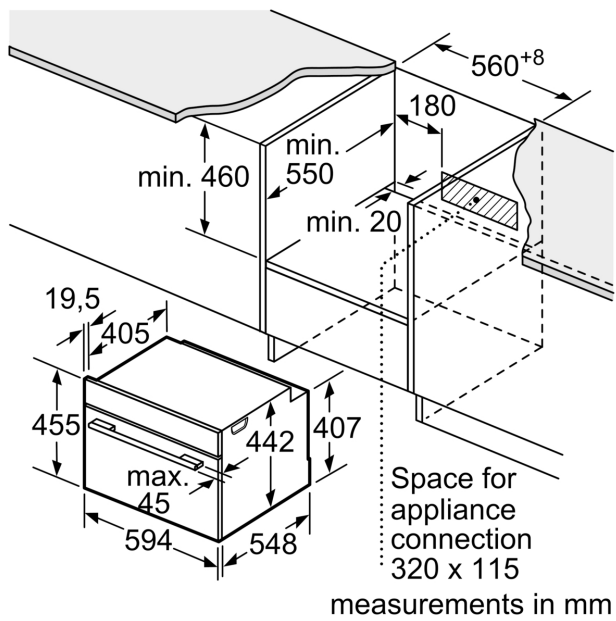
Accessories

- Appliance dimension (hxwxd): 455 mm x 594 mm x 548 mm
- Required niche size for installation (HxWxD): 450 mm - 455 mm x 560 mm - 568 mm x 550 mm

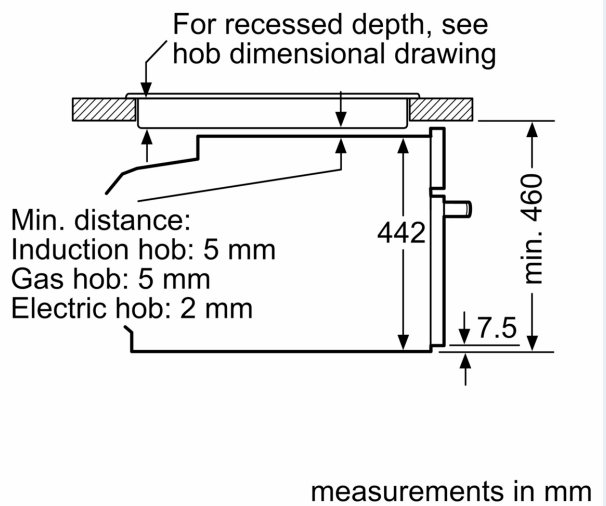
Connecting cable: 150 cm

- Total connected load electric: 3.3 KW

iQ700, Built-in compact oven with steam function, 60 x 45 cm, Stainless steel CS656GBS1



Installation with a hob.



If the compact appliance will be installed underneath a hob, the following worktop thicknesses (including substructure if necessary) must be taken into account.

Hob type	min. worktop thickness	
	fitted	flush
Induction hob	42 mm	43 mm
Full surface Induction hob	52 mm	53 mm
Gas hob	32 mm	43 mm
Electric hob	32 mm	35 mm