

**iQ700, Built-in warming drawer,
60 x 29 cm, Black
BI630DNS1**



HZ6WCC0	Cookbook
HZG9AS00S	Adapter

- ✓ push&pull – No-handle drawer that’s easy to open and close.
- ✓ The heated sheet admits a regulation in four temperature levels from 30°- 80°C glass surface temperature



Built-in / Free-standing: Built-in
 Capacity (in number of plates): 40
 Maximum number of espresso cups: 192
 Dimensions: 290 x 594 x 548 mm
 Dimensions of the packed product (HxWxD): ... 350 x 650 x 660 mm
 Min. required niche size for installation (HxWxD): .. 290 x 560 x 550 mm
 Time control: No
 Fuse protection: 10 A
 Voltage: 220-240 V
 Frequency: 60; 50 Hz
 Plug type: Gardy plug w/ earthing
 Required cutout/niche size for installation (in): x
 Dimensions of the packed product: 13.77 x 25.59 x 25.98
 Net weight: 41.000 lbs
 Gross weight: 46.000 lbs
 Length electrical supply cord: 150.0 cm
 Min. required niche size for installation (HxWxD): .. 290 x 560 x 550 mm
 Dimensions: 290 x 594 x 548 mm
 Dimensions of the packed product (HxWxD): ... 350 x 650 x 660 mm
 Net weight: 18.6 kg
 Gross weight: 20.9 kg



iQ700, Built-in warming drawer, 60 x 29 cm, Black BI630DNS1

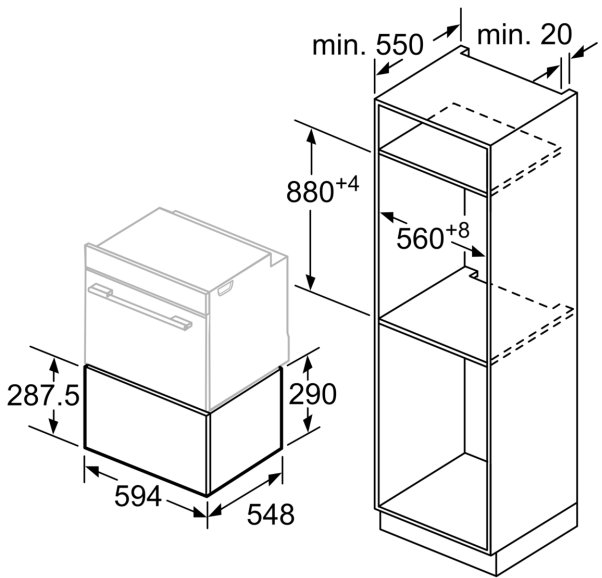
Comfort

- Loading up to 25 kg
- Temperature control in 4 levels: ca. 30°C - 80°C (glass surface temperature)
- Easy to clean toughened glass heating plate
- Can accommodate up to:
- 40 plates or
- 192 espresso cups

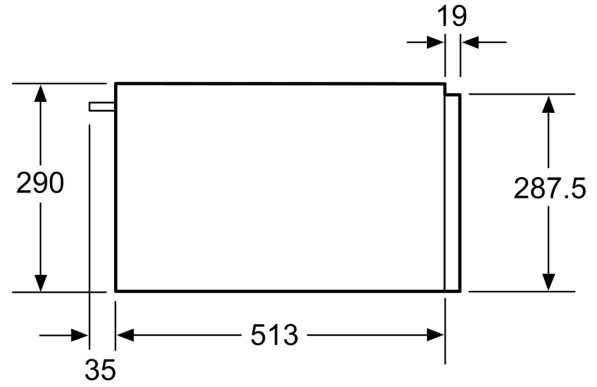
Technical Information

- Appliance dimension (hxwx d): 290 mm x 594 mm x 548 mm
- Cutout Dimensions (H x W x D): 29 cm x 56.8 cm x 55 cm
- Length of mains cable: 150 cm

**iQ700, Built-in warming drawer,
60 x 29 cm, Black
BI630DNS1**



measurements in mm



Ovens with an appliance height of 595 mm can be installed above a warming drawer. An intermediate floor is not required.

measurements in mm