

**Series 8, Heat pump tumble dryer, 7 kg
WTW86561GB**



A+



The Logixx dryer with SelfCleaning Condenser™: the only life-long A+ dryer that cleans the condenser for you.

- **Auto Dry:** automatically dries to the exact level of dryness you want.
- **Anti Vibration Design:** stable and quiet thanks to special vibration protection.
- **Sensitive Drying System:** for gentle drying without any creases.
- **Sportswear:** ideal for gentle drying of textiles such as microfibre, synthetics or functional fibres.
- **SensitiveDrying System:** the unique drum structure protects and delivers a drying performance without creases.

Technical Data

Built-in / Free-standing: Free-standing
 Removable top: Yes
 Door hinge: Right
 Length electrical supply cord: 145.0 cm
 Height of removable worktop: 23 mm
 Dimensions: 842 x 598 x 639 mm
 Net weight: 55.0 kg
 EAN code: 4242002708553
 Connection rating: 1000 W
 Fuse protection: 10 A
 Voltage: 220-240 V
 Frequency: 50 Hz
 Loading capacity: 7.0 kg
 Energy efficiency rating: A+
 Energy consumption electric dryer, full load - NEW (2010/30/EC): 1.85 kWh
 Standard cotton programme time at full load: 155 min
 Energy consumption electric dryer, partial load - NEW (2010/30/EC): 1.13 kWh
 Standard cotton programme time at partial load: 100 min
 Weighted annual energy consumption, electric dryer - NEW (2010/30/EC): 236.0 kWh/annum
 Weighted programme time: 124 min
 Average condensation efficiency full load (%): 86 %
 Average condensation efficiency partial load (%): 86 %
 Weighted condensation efficiency (%): 86 %

Optional accessories

- WMZ20500 Platform with pull-out
- WTZ10290 Cover plate
- WTZ11300 Stacking kit with pull-out shelf
- WTZ11310 Stacking kit



Series 8, Heat pump tumble dryer, 7 kg WTW86561GB

The Logixx dryer with SelfCleaning Condenser™: the only life-long A+ dryer that cleans the condenser for you.

Performance

- Energy Efficiency Class: A+ at a range of energy efficiency classes from A+++ to D
- Capacity: 7 kg
- The programme Cotton cupboard dryused at full and partial load is the standard drying programme to which the information in the label and the fiche relates, this programme is suitable for drying normal wet cotton laundry and is the most efficient programme in terms of energy consumption for cotton.
- Energy consumption 236.0 kWh per year, based on 160 drying cycles of the standard cotton programme at full and partial load, and the consumption of the low-power modes. Actual energy consumption per cycle will depend on how the appliance is used
- Energy consumption of the standard cotton programme at full load 1.85 kWh and energy consumption of the standard cotton programme at half load 1.13 kWh
- Programme time of the standard cotton programme at full load 155 min and programme time of the standard cotton programme at partial load 100 min.
- Weighted programme time of the standard cotton programme at full and partial load: 124 min.
- Condensation efficiency class B on a scale from G (least efficient) to A (most efficient).
- Weighted condensation efficiency for the standard cotton programme at full and partial load: 86 %.
- Power consumption in off-mode 0.1 W and in left-on mode 1 W
- Duration of left-on mode: 0 minutes
- Noise level: 65 dB (A) re 1 pW

Programmes/functions

- Fully electronic control dial for sensor drying, including timed and special programmes
- Special programmes: Woollens, Sportswear, Super Quick 40, Timed programme warm, Timed programme cold
- Touch control buttons: Start/Stop, Low heat, Reduced ironing, Menu, Change

Key features

- ActiveAir Technology
- AntiVibration design: for greater stability and quietness
- Heat Pump with self cleaning condenser

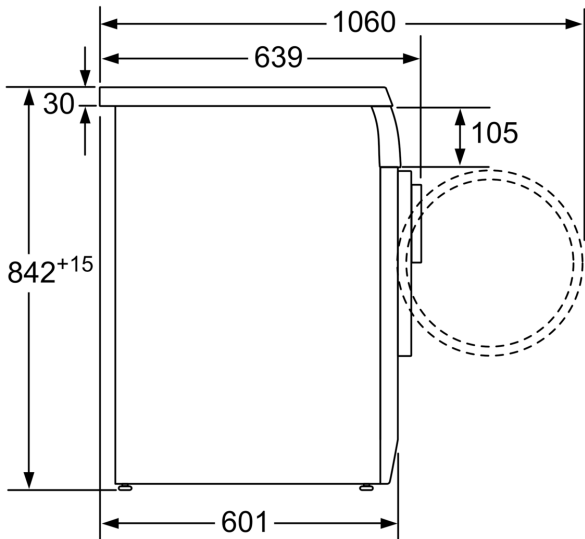
Additional features

- LC display for remaining time, 24 hours time delay, programme progress indication, and special functions
- Sensitive drying: large stainless steel drum with textile care and revolution drying system
- Anti crease cycle 120 min at the end of the programme
- Drum interior light
- Buzzer to indicate the end of cycle
- Child Lock
- Metal door catch

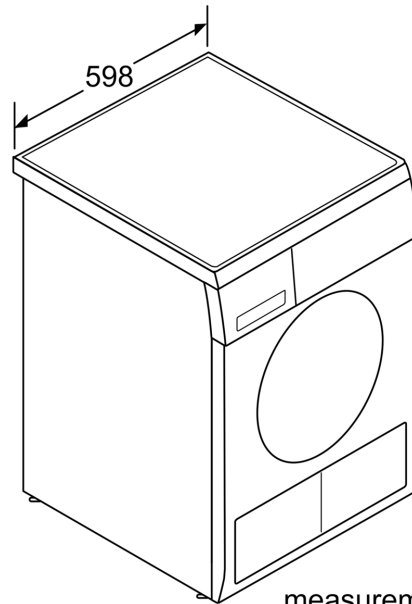
Technical Information

- Can be built-under
- Glass door, Alu-Look, anthracite-grey

**Series 8, Heat pump tumble dryer, 7
kg
WTW86561GB**



measurements in mm



measurements in mm