

**Series 4, Heat pump tumble dryer, 8 kg  
WTH85223GB**



**A++**



**The dryer for especially efficient drying:  
energy efficiency class A++.**

- **Auto Dry:** automatically dries to the exact level of dryness you want.
- **Easy Clean with A++:** dries efficiently. With an easy-to-clean condenser filter.
- **Anti Vibration Design:** stable and quiet thanks to special vibration protection.
- **Climate friendly dryer with the most environmental friendly cooling agent (R290).**
- **Easy-to-use LED display with touch control and many additional functions like start delay and remaining time.**

**Technical Data**

Built-in / Free-standing: .....	Free-standing
Removable top: .....	No
Door hinge: .....	Right
Length electrical supply cord: .....	179.5 cm
Dimensions: .....	842 x 598 x 613 mm
Net weight: .....	48.4 kg
Fluorinated greenhouse gases: .....	No
Type of refrigerant: .....	R290
Hermetically sealed equipment: .....	Yes
EAN code: .....	4242005391189
Connection rating: .....	625 W
Fuse protection: .....	10 A
Voltage: .....	220-240 V
Frequency: .....	50 Hz
Loading capacity: .....	8.0 kg
Energy efficiency rating: .....	A++
Energy consumption electric dryer, full load - NEW (2010/30/EC):	1.87 kWh
Standard cotton programme time at full load: .....	205 min
Energy consumption electric dryer, partial load - NEW (2010/30/EC):	1.14 kWh
Standard cotton programme time at partial load: .....	130 min
Weighted annual energy consumption, electric dryer - NEW (2010/30/EC):	236.0 kWh/annum
Weighted programme time: .....	162 min
Average condensation efficiency full load (%): .....	81 %
Average condensation efficiency partial load (%): .....	81 %
Weighted condensation efficiency (%): .....	81 %

**Optional accessories**

WMZ20600	Wool in basket - accessory
WTZ11400	Stacking kit with pull-out shelf
WTZ20410	Stacking kit
WTZPW20D	Platform with pull-out, dryer, cubic



## Series 4, Heat pump tumble dryer, 8 kg WTH85223GB

### The dryer for especially efficient drying: energy efficiency class A++.

#### Performance

- Energy Efficiency Class<sup>1</sup>: A++
- Energy<sup>2</sup>: 236 kWh
- Capacity: 1 - 8 kg
- Programme time<sup>3</sup>: 205 min
- Noise level: 65 dB (A) re 1 pW
- Condensation efficiency class<sup>4</sup>: B
- Condensation efficiency<sup>5</sup>: 81 %

#### Programmes/functions

- Standard programmes: cotton, easy care
- Special programmes: Woollens, Mixed Load, Towels, Timed programme warm, Timed programme cold, Sportswear, Down, Super Quick 40, shirts/blouses

#### Key features

- Touch control buttons: Low heat, Reduced ironing, Drying time, Fine-tuning for drying level, 24 h, end Time Delay

#### Additional features

- EasyClean filter
- Fully electronic control dial for sensor drying programmes and timed programmes
- Fully electronic control dial for sensor drying, including timed and special programmes
- LED Display for remaining time and 24 hours time delay, programme status indication, special functions
- Sensitive drying: large stainless steel drum with textile care and revolution drying system
- AntiVibration design: for greater stability and quietness
- No
- Container for condensed water
- Full container tank indicator
- Warning for fluff filter and condensed water filter
- no
- Child Lock
- Anti-crease cycle at the end of the programme
- Buzzer to indicate the end of cycle
- Glass door, silver-white
- AU
- Door hinge: right-hand
- Metal door catch

#### Technical Information

- slide-under installation
- Dimensions (H x W): 84.2 cm x 59.8 cm
- Appliance depth: 61.3 cm
- Appliance depth incl. door: 66.5 cm
- Appliance depth with open door: 110.5 cm
- Heat pump technology with climate friendly cooling agent

<sup>1</sup> At a range of energy efficiency classes from A+++ to D

<sup>2</sup> Energy consumption kWh per year, based on 160 drying cycles of the standard cotton programme at full and partial load, and the consumption of the low power modes

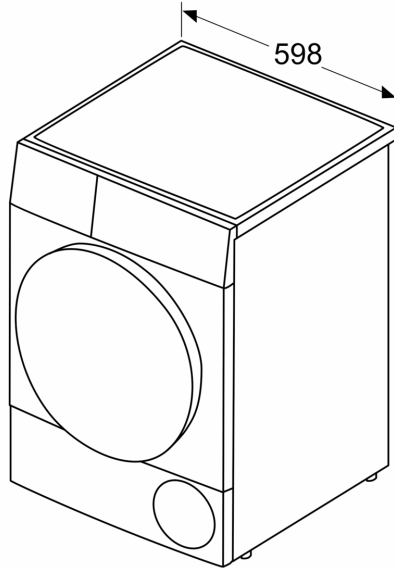
<sup>3</sup> Programme time of the standard cotton programme at full load

<sup>4</sup> On a condensation efficiency class scale from A to G

<sup>5</sup> Weighted condensation efficiency for the standard cotton programme at full and partial load

**Series 4, Heat pump tumble dryer, 8  
kg  
WTH85223GB**

Measurements in mm



Measurements in mm

