

**Series 6, Condenser tumble dryer, 8 kg
WTG86402GB**



B



The dryer with Allergy Plus: especially developed for allergy-sensitive skins. Gentle with your clothes and gentle on your skin.

- **Auto Dry:** automatically dries to the exact level of dryness you want.
- **Anti Vibration Design:** stable and quiet thanks to special vibration protection.
- **Fast drying:** dries a full load considerably fast.
- **Sensitive Drying System:** for gentle drying without any creases.
- **SensitiveDrying System:** the unique drum structure protects and delivers a drying performance without creases.

Technical Data

Built-in / Free-standing:	Free-standing
Removable top:	No
Door hinge:	Right
Length electrical supply cord:	179.5 cm
Height of removable worktop:	0 mm
Dimensions:	842 x 598 x 613 mm
Net weight:	41.8 kg
EAN code:	4242002997421
Connection rating:	2600 W
Fuse protection:	13 A
Voltage:	220-240 V
Frequency:	50 Hz
Loading capacity:	8.0 kg
Energy efficiency rating:	B
Energy consumption electric dryer, full load - NEW (2010/30/EC):	4.63 kWh
Standard cotton programme time at full load:	137 min
Energy consumption electric dryer, partial load - NEW (2010/30/EC):	2.61 kWh
Standard cotton programme time at partial load:	82 min
Weighted annual energy consumption, electric dryer - NEW (2010/30/EC):	561.0 kWh/annum
Weighted programme time:	106 min
Average condensation efficiency full load (%):88 %
Average condensation efficiency partial load (%):88 %
Weighted condensation efficiency (%):88 %

Optional accessories

- WTZ11400 Stacking kit with pull-out shelf
- WTZ20410 Stacking kit



Series 6, Condenser tumble dryer, 8 kg WTG86402GB

The dryer with Allergy Plus: especially developed for allergy-sensitive skins. Gentle with your clothes and gentle on your skin.

Performance

Programmes/functions

- Fully electronic control dial for sensor drying programmes and timed programmes
- Special programmes: Woollens, Mixed Load, Timed programme warm, Timed programme cold, Allergy +, Sportswear, Down, Super Quick 40, Shirts 15
- Touch control buttons: Low heat, Buzzer, Reduced ironing, Drying time, start/pause, Fine-tuning for drying level, 24 h end Time Delay, Reduced ironing, Fine-tuning for drying level, Low heat, Drying time, end Time Delay, Buzzer, start/pause

Key features

- Sensitive drying: large stainless steel drum with textile care and revolution drying system
- AntiVibration design: for greater stability and quietness

Additional features

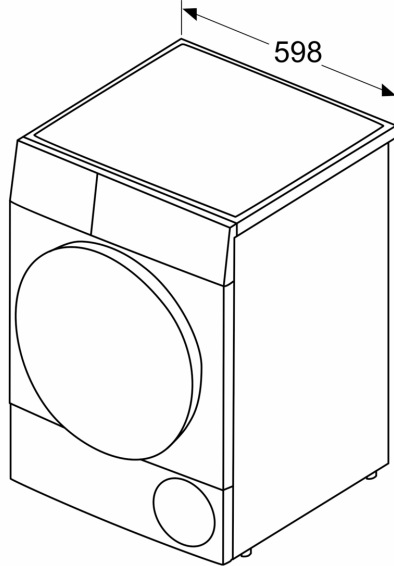
- Large LED display for remaining time and 24 hours time delay, programme progress indication and special functions
- Anti crease cycle 120 min at the end of the programme
- Drum interior light
- Full container tank indicator
- EasyClean filter
- Child Lock
- Buzzer to indicate the end of cycle
- Container for condensed water

Technical Information

- Dimensions (H x W x D): 84.2 x 59.8 x Appliance depth: 66.5 cm
- slide-under installation
- Door hinge: right-hand
- Glass door,, silver-white

**Series 6, Condenser tumble dryer, 8
kg
WTG86402GB**

Measurements in mm



Measurements in mm

