

IQ700, Heat pump tumble dryer, 9 kg WT48XEH9GB



Wifi-enabled heat-pump dryer with Home Connect: Enjoy maximum comfort with intelligentCleaning system and easy ironing with smartFinish.

- ✓ intelligentCleaning – No more filter cleaning after every cycle.
- ✓ Interconnected devices – Connect your devices for a seamless home life.
- ✓ Remote Control – Manage the laundry on your phone.
- ✓ Remote Monitoring – Keeping an eye on your dryer.
- ✓ voiceControl – Your tumble dryer does exactly what you say.

Built-in / Free-standing: Freestanding
 Removable top: No
 Door hinge: Right reversible
 Length electrical supply cord: 179.5 cm
 Dimensions: 842 x 598 x 613 mm
 Weight: 57.3 kg
 Fluorinated greenhouse gases: No
 Type of refrigerant: R290
 Hermetically sealed equipment: Yes
 EAN code: 4242003861066
 Connection Rating: 600 W
 Fuse protection: 10 A
 Nominal power: 220-240 V
 Frequency: 50 Hz
 Capacity: 9.0 kg
 Energy efficiency rating: A+++
 Energy consumption electric dryer, full load - NEW (2010/30/EC):
 1.61 kWh
 Standard cotton programme time at full load: 215 min
 Energy consumption electric dryer, partial load - NEW (2010/30/EC):
 0.90 kWh
 Standard cotton programme time at partial load: 132 min
 Weighted annual energy consumption, electric dryer - NEW
 (2010/30/EC): 193.0 kWh/annum
 Weighted programme time: 168 min
 Average condensation efficiency full load (%): 88 %
 Average condensation efficiency partial load (%): 88 %
 Weighted condensation efficiency (%): 88 %



WZ20600	Wool in basket - accessory
WZ27400	Stacking kit with pull-out shelf
WZ27410	Stacking kit
WZDP20D	Platform with pull-out, dryer, cubic

IQ700, Heat pump tumble dryer, 9 kg WT48XEH9GB

Performance

Programmes/functions

- Fully electronic control dial for sensor and timed programmes
- Special programmes: hygiene, cotton, shirts, Connected Dry, lingerie, towels, ColdRefresh_1piece, ColdRefresh_5pieces, ColdRefreshBusiness, mixed fabrics, outdoor, rapid 40, blankets, easy-care, wool drying in basket, Woollens Finish, Further programs, timed programme cold, timed programme warm
- Standard programmes: cotton, easy care

Key features

- smartFinish
- Home Connect: Remote Monitoring and Control, Energy Management
- Connected Dry
- intelligentCleaning system
- Heat pump technology with climate friendly cooling agent
- Sensitive drying: large softDry stainless steel drum system and revolution drying system
- AntiVibration design: for greater stability and quietness

Additional features

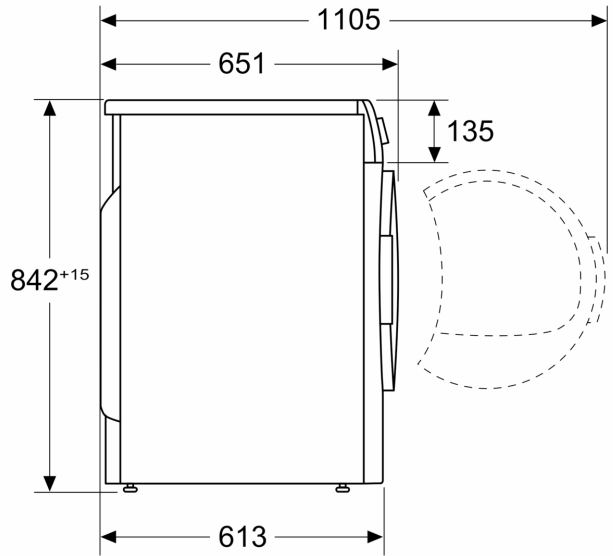
- TFT clear text display for easy use
- Jog dial with integrated on/off control
- Touch control buttons: base settings, end time delay, less ironing, memo 1, memo 2, options, Power button, remote start, Start / Reload / Pause, drying level, 24 h end time delay
- Anti crease cycle 120 min at the end of the programme
- Wool drying basket
- Drum interior light
- Child Lock
- End of cycle buzzer
- Metal door catch
- Door hinge: right-hand, reversible
- Container for condensed water

Technical Information

- Slide-under installation
- Glass door, chrome-black
- Dimensions (H x W): 84.2 cm x 59.8 cm
- Appliance depth: 61.3 cm
- Appliance depth incl. door: 65.1 cm
- Appliance depth with open door: 110.5 cm

**IQ700, Heat pump tumble dryer, 9 kg
WT48XEH9GB**

Measurements in mm



Measurements in mm

