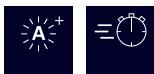


# IQ300, Condenser tumble dryer, 8 kg WT45N203GB



**B**



## Optional accessories

WZ11410	Stacking kit
WZ20400	Stacking kit with pull-out shelf
WZ20600	Wool in basket - accessory
WZDP20D	Platform with pull-out, dryer, cubic

iSensoric condenser dryer with sensor-controlled autoDry technology and softDry drum for optimal textile care.

- ✓ autoDry – Gentle and precise drying that protects your clothes.
- ✓ speedPack – Save time with our fast and highly efficient dryers.
- ✓ Outdoor programme – Dry your waterproof and outdoor clothing safely.
- ✓ easyClean filter for convenient fluff removal from the condenser filter.
- ✓ super40 – Fast and careful drying of small loads

## Features

### Technical Data

Built-in / Free-standing: .....	Freestanding
Removable top: .....	No
Door hinge: .....	Right
Length electrical supply cord: .....	179.5 cm
Dimensions: .....	842 x 598 x 613 mm
Weight: .....	41.6 kg
EAN code: .....	4242003929056
Connection Rating: .....	2800 W
Fuse protection: .....	13 A
Nominal power: .....	220-240 V
Frequency: .....	50 Hz
Capacity: .....	8.0 kg
Energy efficiency rating: .....	B
Energy consumption electric dryer, full load - NEW (2010/30/EC):	4.71 kWh
Standard cotton programme time at full load: .....	150 min
Energy consumption electric dryer, partial load - NEW (2010/30/EC):	2.56 kWh
Standard cotton programme time at partial load: .....	83 min
Weighted annual energy consumption, electric dryer - NEW (2010/30/EC): .....	560.0 kWh/annum
Weighted programme time: .....	112 min
Average condensation efficiency full load (%): .....	88 %
Average condensation efficiency partial load (%): .....	88 %
Weighted condensation efficiency (%): .....	88 %



## IQ300, Condenser tumble dryer, 8 kg WT45N203GB

### Features

#### Performance

- Energy Efficiency Class<sup>1</sup>: B
- Energy<sup>2</sup>: 560 kWh
- Capacity: 1 - 8 kg
- Programme time<sup>3</sup>: 150 min
- Noise level: 64 dB (A) re 1 pW
- Condensation efficiency class<sup>4</sup>: B
- Condensation efficiency<sup>5</sup>: 88 %

#### Programmes/functions

- Standard programmes: cotton, easy care
- Special programmes: Woollens Finish, mixed fabrics, outdoor, timed programme warm, timed programme cold, hygiene, lingerie, rapid 40, shirts 15

#### Key features

- Anti crease cycle 120 min at the end of the programme
- Touch control buttons: low heat, less ironing, programme length, fine-tuning of drying aim, 24 h end time delay, less ironing, fine-tuning of drying aim, low heat, programme length, end time delay, Start / Reload / Pause

#### Additional features

- Fully electronic control dial for sensor and timed programmes
- Fully electronic control dial for sensor drying, including timed and special programmes
- LED Display for remaining time and 24 hours time delay, programme status indication, special functions
- Sensitive drying: large softDry stainless steel drum system and revolution drying system
- No
- AntiVibration design: for greater stability and quietness
- Drum interior light
- Container for condensed water
- Child Lock
- End of cycle buzzer
- Glass door,, black-black
- pull-open latch
- Metal door catch
- Door hinge: right-hand

#### Technical Information

- Slide-under installation
- Dimensions (H x W): 84.2 cm x 59.8 cm
- Appliance depth: 61.3 cm
- Appliance depth incl. door: 65.1 cm
- Appliance depth with open door: 110.5 cm

<sup>1</sup> At a range of energy efficiency classes from A+++ to D

<sup>2</sup> Energy consumption kWh per year, based on 160 drying cycles of the standard cotton programme at full and partial load, and the consumption of the low power modes

<sup>3</sup> Programme time of the standard cotton programme at full load

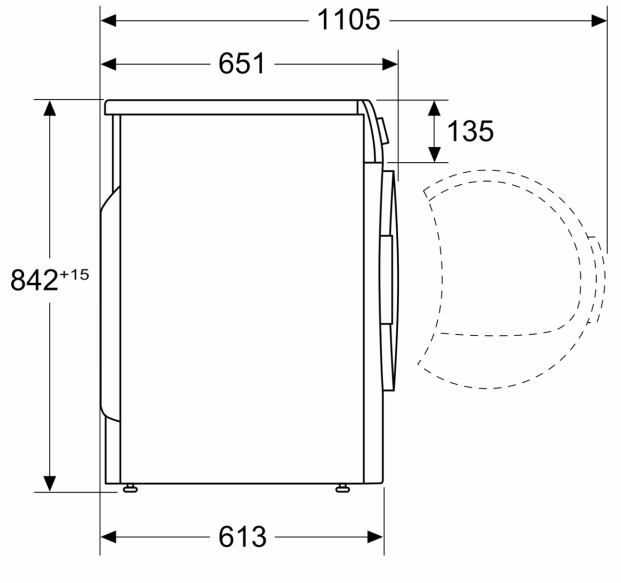
<sup>4</sup> On a condensation efficiency class scale from A to G

<sup>5</sup> Weighted condensation efficiency for the standard cotton programme at full and partial load

**IQ300, Condenser tumble dryer, 8 kg  
WT45N203GB**

Dimensioned drawings

Measurements in mm



Measurements in mm

