

**Series 6, Heat pump tumble dryer, 9 kg, Silver inox WQG245S9GB**



**A++**



**Optional accessories**

- WMZ20600 Wool in basket - accessory
- WTZ2741X Stacking kit
- WTZ2742X Stacking kit with pull-out shelf

**The heat pump dryer with A++ and SelfCleaning condenser saves energy and its AutoDry sensor knows when your load is ready, protecting your garments.**

- **Self Cleaning Condenser:** saves you time and effort by removing fluff.
- **Auto Dry:** automatically dries to the exact level of dryness you want.
- **Half load option:** optimises the drying settings (load and duration) for small loads.
- **Fast drying within 40 minutes, suitable for a small amount of synthetic and thin items.**
- **AntiVibration Design: extremely stable and especially quiet thanks to special vibration protection.**

**Technical Data**

Built-in / Free-standing: .....	Free-standing
Removable top: .....	No
Door hinge: .....	Right
Length electrical supply cord: .....	179.5 cm
Dimensions: .....	842 x 598 x 613 mm
Net weight: .....	52.8 kg
Fluorinated greenhouse gases: .....	No
Type of refrigerant: .....	R290
Hermetically sealed equipment: .....	Yes
The quantity expressed in CO2 equivalent: .....	0.000 t
EAN code: .....	4242005317752
Connection rating: .....	800 W
Fuse protection: .....	10 A
Voltage: .....	220-240 V
Frequency: .....	50 Hz
Loading capacity: .....	9.0 kg
Energy efficiency rating: .....	A++
Energy consumption electric dryer, full load - NEW (2010/30/EC):	2.05 kWh
Standard cotton programme time at full load: .....	176 min
Energy consumption electric dryer, partial load - NEW (2010/30/EC):	1.25 kWh
Standard cotton programme time at partial load: .....	121 min
Weighted annual energy consumption, electric dryer - NEW (2010/30/EC):	258.0 kWh/annum
Weighted programme time: .....	145 min
Average condensation efficiency full load (%): .....	.86 %
Average condensation efficiency partial load (%): .....	.86 %
Weighted condensation efficiency (%): .....	.86 %



## Series 6, Heat pump tumble dryer, 9 kg, Silver inox WQG245S9GB

**The heat pump dryer with A++ and SelfCleaning condenser saves energy and its AutoDry sensor knows when your load is ready, protecting your garments.**

- silver inox Edition

### Performance

- Energy Efficiency Class<sup>1</sup>: A++
- Energy<sup>2</sup>: 258 kWh
- Capacity: 1 - 9 kg
- Programme time<sup>3</sup>: 176 min
- Noise level: 64 dB (A) re 1 pW
- Condensation efficiency class<sup>4</sup>: B
- Condensation efficiency<sup>5</sup>: 86 %

### Programmes/functions

- Touch control buttons: Iron dry, Cupboard dry, Cupboard dry+, end Time Delay, Reduced ironing, Low heat, Buzzer, Start / Reload / Pause, 24 h end Time Delay
- Standard programmes: cotton, easy care
- Special programmes: Cottons, shirts/blouses, Cotton Eco, Down, Delicates, Towels, Mixed Load, Super Quick 40, Sportswear, Duvet, Easy-Care, Woollens, Timed programme warm

### Key features

- Anti crease cycle 120 min at the end of the programme
- Fully electronic control dial for sensor drying programmes and timed programmes
- Half Load option: optimises drying for smaller loads
- Sensitive drying: large stainless steel drum with textile care and revolution drying system
- AntiVibration design: for greater stability and quietness

### Additional features

- Large LED display for remaining time and 24 hours time delay, programme progress indication and special functions
- NewValue door with cover glass, Silver-inox, black-grey
- Load recommendation
- Soft dial
- Heat pump technology with climate friendly cooling agent
- Drum interior light
- Container for condensed water
- Door hinge: right-hand
- Metal door catch
- Child Lock
- Buzzer to indicate the end of cycle

### Technical Information

- slide-under installation
- Dimensions (H x W): 84.2 cm x 59.8 cm
- Appliance depth: 61.3 cm
- Appliance depth incl. door: 64.8 cm
- Appliance depth with open door: 109.6 cm

<sup>1</sup> At a range of energy efficiency classes from A+++ to D

<sup>2</sup> Energy consumption kWh per year, based on 160 drying cycles of the standard cotton programme at full and partial load, and the consumption of the low power modes

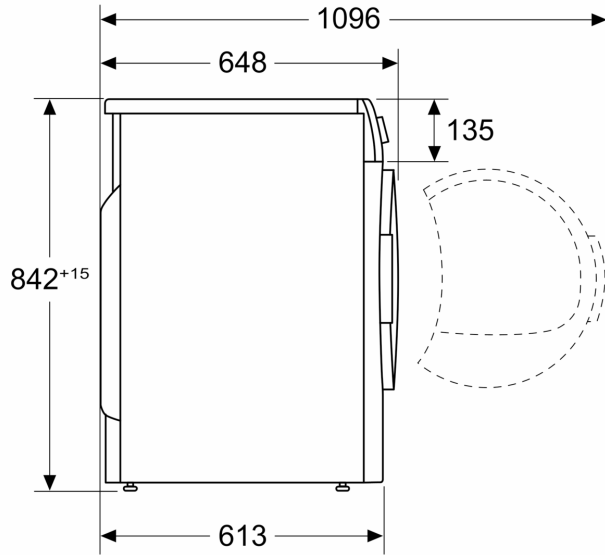
<sup>3</sup> Programme time of the standard cotton programme at full load

<sup>4</sup> On a condensation efficiency class scale from A to G

<sup>5</sup> Weighted condensation efficiency for the standard cotton programme at full and partial load

**Series 6, Heat pump tumble dryer, 9  
kg, Silver inox  
WQG245S9GB**

Measurements in mm



Measurements in mm

