

**Series 6, Heat pump tumble dryer, 9 kg
WQG245R9GB**



A++



The heat pump dryer with A++ and SelfCleaning condenser saves energy and its AutoDry sensor knows when your load is ready, protecting your garments.

- Heat Pump drying technology for efficient energy use.
- Self Cleaning Condenser: saves you time and effort by removing fluff.
- Fast drying within 40 minutes, suitable for a small amount of synthetic and thin items.
- Auto Dry: automatically dries to the exact level of dryness you want.
- Half load option: optimises the drying settings (load and duration) for small loads.

Technical Data

Built-in / Free-standing: Free-standing
 Removable top: No
 Door hinge: Right
 Length electrical supply cord: 179.5 cm
 Dimensions: 842 x 598 x 613 mm
 Net weight: 53.1 kg
 Fluorinated greenhouse gases: No
 Type of refrigerant: R290
 Hermetically sealed equipment: Yes
 The quantity expressed in CO2 equivalent: 0.000 t
 EAN code: 4242005333905
 Connection rating: 800 W
 Fuse protection: 10 A
 Voltage: 220-240 V
 Frequency: 50 Hz
 Loading capacity: 9.0 kg
 Energy efficiency rating: A++
 Energy consumption electric dryer, full load - NEW (2010/30/EC) 2.05 kWh
 Standard cotton programme time at full load: 176 min
 Energy consumption electric dryer, partial load - NEW (2010/30/EC): 1.25 kWh
 Standard cotton programme time at partial load: 121 min
 Weighted annual energy consumption, electric dryer - NEW (2010/30/EC): 258.0 kWh/annum
 Weighted programme time: 145 min
 Average condensation efficiency full load (%): 86 %
 Average condensation efficiency partial load (%): 86 %
 Weighted condensation efficiency (%): 86 %

Optional accessories

- WTZ2741C Stacking kit
 WTZPW20D Platform with pull-out, dryer, cubic
 WMZ20600 Wool in basket - accessory
 WTZ1110 Condenser drainage kit



Series 6, Heat pump tumble dryer, 9 kg WQG245R9GB

The heat pump dryer with A++ and SelfCleaning condenser saves energy and its AutoDry sensor knows when your load is ready, protecting your garments.

Performance

- Energy Efficiency Class¹: A++
- Energy²: 258 kWh
- Capacity: 1 - 9 kg
- Programme time³: 176 min
- Noise level: 64 dB (A) re 1 pW
- Condensation efficiency class⁴: B
- Condensation efficiency⁵: 86 %

Programmes/functions

- Standard programmes: cotton, easy care
- Special programmes: Cottons, shirts/blouses, Cotton Eco, Down, Delicates, Towels, Mixed Load, Super Quick 40, Sportswear, Duvet, Easy-Care, Woollens, Timed programme warm

Key features

- Half Load option: optimises drying for smaller loads
- Touch control buttons: Iron dry, Cupboard dry, Cupboard dry+, end Time Delay, Reduced ironing, Low heat, Buzzer, Start / Reload / Pause, 24 h end Time Delay

Additional features

- SC1R
- Speed
- Fully electronic control dial for sensor drying programmes and timed programmes
- Large LED display for remaining time and 24 hours time delay, programme progress indication and special functions
- Load recommendation
- Usage meter: counts completed programmes
- Soft dial
- Sensitive drying: large stainless steel drum with textile care and revolution drying system
- AntiVibration design: for greater stability and quietness
- No
- Drum interior light
- Container for condensed water
- Child Lock
- Buzzer to indicate the end of cycle
- NewValue door with cover glass, silver-black grey
- Door hinge: right-hand
- Metal door catch

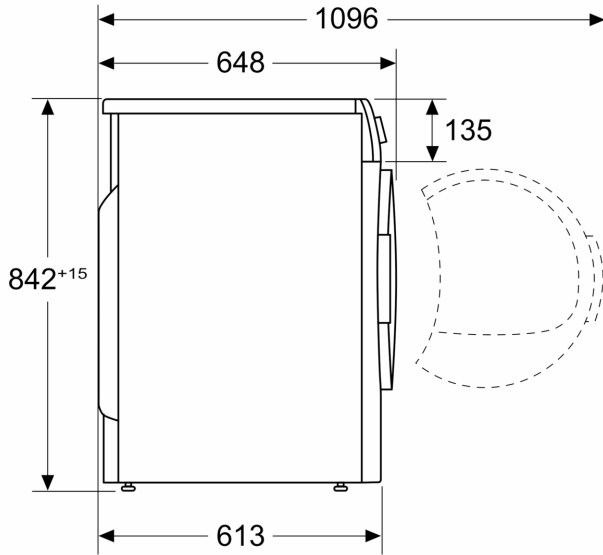
Technical Information

- Dimensions (H x W): 84.2 cm x 59.8 cm
- Appliance depth: 61.3 cm
- Appliance depth incl. door: 64.8 cm
- Appliance depth with open door: 109.6 cm
- Heat pump technology with climate friendly cooling agent

- ¹ At a range of energy efficiency classes from A+++ to D
- ² Energy consumption kWh per year, based on 160 drying cycles of the standard cotton programme at full and partial load, and the consumption of the low power modes
- ³ Programme time of the standard cotton programme at full load
- ⁴ On a condensation efficiency class scale from A to G
- ⁵ Weighted condensation efficiency for the standard cotton programme at full and partial load

**Series 6, Heat pump tumble dryer, 9
kg
WQG245R9GB**

Measurements in mm



Measurements in mm

