

**Series 6, Heat pump tumble dryer, 8 kg
WQG233D8GB**



The heat pump dryer with A+++ saves energy and its AutoDry sensor knows when your load is ready which avoids overheating and protects your garments.

- **Easy Clean:** easy-to-reach fluff filters keep your washer-dryer energy efficient.
- **Auto Dry:** automatically dries to the exact level of dryness you want.
- **Half load option:** optimises the drying settings (load and duration) for small loads.
- **AntiVibration Design:** extremely stable and especially quiet thanks to special vibration protection.
- **Bed linen programme with reversible drum:** perfect drying results even for loads with a mix of large and small items.

Technical Data

Built-in / Free-standing:	Free-standing
Removable top:	No
Door hinge:	Right
Length electrical supply cord:	179.5 cm
Dimensions:	842 x 598 x 613 mm
Net weight:	53.7 kg
Fluorinated greenhouse gases:	No
Type of refrigerant:	R290
Hermetically sealed equipment:	Yes
The quantity expressed in CO2 equivalent:	0.000 t
EAN code:	4242005328727
Connection rating:	600 W
Fuse protection:	10 A
Voltage:	220-240 V
Frequency:	50 Hz
Loading capacity:	8.0 kg
Energy efficiency rating:	A+++
Energy consumption electric dryer, full load - NEW (2010/30/EC):	1.40 kWh
Standard cotton programme time at full load:	165 min
Energy consumption electric dryer, partial load - NEW (2010/30/EC):	0.84 kWh
Standard cotton programme time at partial load:	108 min
Weighted annual energy consumption, electric dryer - NEW (2010/30/EC):	176.0 kWh/annum
Weighted programme time:	132 min
Average condensation efficiency full load (%):	91 %
Average condensation efficiency partial load (%):	91 %
Weighted condensation efficiency (%):	91 %

Optional accessories

WTZPW20D	Platform with pull-out, dryer, cubic
WMZ20600	Wool in basket - accessory
WTZ27400	Stacking kit with pull-out shelf
WTZ27410	Stacking kit



Series 6, Heat pump tumble dryer, 8 kg WQG233D8GB

The heat pump dryer with A+++ saves energy and its AutoDry sensor knows when your load is ready which avoids overheating and protects your garments.

Performance

- Energy Efficiency Class¹: A+++
- Energy²: 176 kWh
- Capacity: 1 - 8 kg
- Programme time³: 165 min
- Noise level: 64 dB (A) re 1 pW
- Condensation efficiency class⁴: A
- Condensation efficiency⁵: 91 %

Programmes/functions

- Touch control buttons: Iron dry, Cupboard dry, Cupboard dry+, end Time Delay, Reduced ironing, Low heat, Buzzer, Start / Reload / Pause, 24 h end Time Delay
- Standard programmes: cotton, easy care
- Bed Linen Program: reduces tangling of big items thanks to reversible drum
- Special programmes: Cottons, shirts/blouses, Cotton Eco, Down, Delicates, Towels, Mixed Load, Super Quick 40, Sportswear, Easy-Care, Woollens, Timed programme warm

Key features

- Anti crease cycle 120 min at the end of the programme
- Fully electronic control dial for sensor drying programmes and timed programmes
- Half Load option: optimises drying for smaller loads
- Sensitive drying: large stainless steel drum with textile care and revolution drying system
- AntiVibration design: for greater stability and quietness

Additional features

- Large LED display for remaining time and 24 hours time delay, programme progress indication and special functions
- NewValue door with cover glass, black-blackgrey
- EasyClean filter
- Load recommendation
- Soft dial
- Heat pump technology with climate friendly cooling agent
- Drum interior light
- Container for condensed water
- Door hinge: right-hand
- Metal door catch
- Child Lock
- Buzzer to indicate the end of cycle

Technical Information

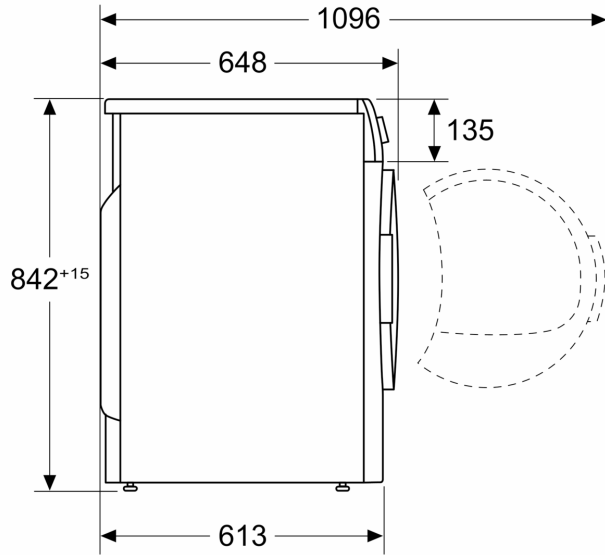
- slide-under installation
- Dimensions (H x W): 84.2 cm x 59.8 cm
- Appliance depth: 61.3 cm
- Appliance depth incl. door: 64.8 cm

- Appliance depth with open door: 109.6 cm

- ¹ At a range of energy efficiency classes from A+++ to D
- ² Energy consumption kWh per year, based on 160 drying cycles of the standard cotton programme at full and partial load, and the consumption of the low power modes
- ³ Programme time of the standard cotton programme at full load
- ⁴ On a condensation efficiency class scale from A to G
- ⁵ Weighted condensation efficiency for the standard cotton programme at full and partial load

**Series 6, Heat pump tumble dryer, 8
kg
WQG233D8GB**

Measurements in mm



Measurements in mm

