

IQ700, Heat pump tumble dryer, 9 kg, Silver inox WQ46B2CXGB



The intelligent dryer for fast and gentle drying with resource saving A+++ -10%*, varioSpeed, smartFinish and intelligentDry powered by Home Connect.

- ✓ autoDry – Gentle and precise drying that protects your clothes.
- ✓ selfCleaning condenser – Removes lint, saving you time and effort.
- ✓ intelligentDry – Automatically selects the best drying programme based on the washer's cycle.
- ✓ smartFinish – Smooth away creases to cut down on ironing.
- ✓ Reversible drum - Prevents large laundry pieces from tangling by alternating the drum rotation.

Features

Technical Data

Built-in / Free-standing: Freestanding
 Removable top: No
 Door hinge: Right reversible
 Length electrical supply cord: 180.0 cm
 Dimensions: 842 x 598 x 613 mm
 Weight: 56.4 kg
 Fluorinated greenhouse gases: No
 Type of refrigerant: R290
 Hermetically sealed equipment: Yes
 EAN code: 4242003928479
 Connection Rating: 600 W
 Fuse protection: 10 A
 Nominal power: 220-240 V
 Frequency: 50 Hz
 Capacity: 9.0 kg
 Energy efficiency rating: A+++
 Energy consumption electric dryer, full load - NEW (2010/30/EC):
 1.44 kWh
 Standard cotton programme time at full load: 260 min
 Energy consumption electric dryer, partial load - NEW (2010/30/EC):
 0.80 kWh
 Standard cotton programme time at partial load: 156 min
 Weighted annual energy consumption, electric dryer - NEW
 (2010/30/EC): 174.0 kWh/annum
 Weighted programme time: 201 min
 Average condensation efficiency full load (%): 91 %
 Average condensation efficiency partial load (%): 91 %
 Weighted condensation efficiency (%): 91 %

Optional accessories

WZ20600	Wool in basket - accessory
WZ2750X	Stacking kit with pull-out shelf
WZ2751X	Stacking kit
WZDP20D	Platform with pull-out, dryer, cubic



IQ700, Heat pump tumble dryer, 9 kg, Silver inox WQ46B2CXGB

Features

Performance

- Energy Efficiency Class¹: A+++
- Energy²: 174 kWh
- Capacity: 1 - 9 kg
- Programme time³: 260 min
- Noise level: 58 dB (A) re 1 pW
- Condensation efficiency class⁴: A
- Condensation efficiency⁵: 91 %

Programmes/functions

- Standard programmes: cotton, easy care
- Bed Linen Program: reduces tangling of big items thanks to reversible drum
- Special programmes: cotton, shirts, Cotton Eco, towels, mixed fabrics, outdoor, rapid 40, easy-care, wool drying in basket, timed programme warm

Key features

- Half Load option: optimises drying for smaller loads
- Anti crease cycle 120 min at the end of the programme
- Touch control buttons: Iron dry, Cupboard dry, Cupboard dry+, end time delay, less ironing, myFavorite, Power button, remote start, low heat, Start / Reload / Pause, speedPerfect, 24 h end time delay

Additional features

- SC1R
- BLDC/twin rotary
- Load recommendation
- Fully electronic control dial for sensor and timed programmes
- Jog dial with integrated on/off control
- Sensitive drying: large softDry stainless steel drum system and revolution drying system
- AntiVibration design: for greater stability and quietness
- Wool drying basket
- Drum interior light
- Container for condensed water
- Child Lock
- End of cycle buzzer
- Usage meter: counts completed programmes
- Door hinge: right-hand, reversible
- Metal door catch
- Slide-under installation
- Dimensions (H x W): 84.2 cm x 59.8 cm
- Appliance depth: 61.3 cm
- Appliance depth incl. door: 66.5 cm
- Appliance depth with open door: 110.5 cm
- Heat pump technology with climate friendly cooling agent

¹ At a range of energy efficiency classes from A+++ to D

³ Programme time of the standard cotton programme at full load

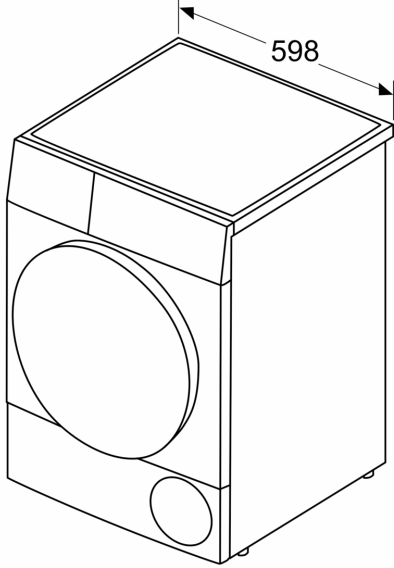
⁴ On a condensation efficiency class scale from A to G

⁵ Weighted condensation efficiency for the standard cotton programme at full and partial load

IQ700, Heat pump tumble dryer, 9 kg, Silver inox
WQ46B2CXGB

Dimensioned drawings

Measurements in mm



Measurements in mm

