

## IQ500, Heat pump tumble dryer, 9 kg WQ45G2D9GB



A++



Outstanding laundry performance with A++, selfCleaning condenser and autoDry for gentle and even drying of your garments.

- ✓ selfCleaning condenser – Removes lint, saving you time and effort.
- ✓ Energy Efficiency Class A++ – Dries very efficiently
- ✓ Half load – Use the right programme to estimate the length of time needed for smaller loads in the dryer.
- ✓ speedPack – Save time with our fast and highly efficient dryers.
- ✓ autoDry – Gentle and precise drying that protects your clothes.

### Features

#### Technical Data

Built-in / Free-standing: ..... Freestanding  
 Removable top: ..... No  
 Door hinge: ..... Right  
 Length electrical supply cord: ..... 179.5 cm  
 Dimensions: ..... 842 x 598 x 613 mm  
 Weight: ..... 53.8 kg  
 Fluorinated greenhouse gases: ..... No  
 Type of refrigerant: ..... R290  
 Hermetically sealed equipment: ..... Yes  
 The quantity expressed in CO2 equivalent: ..... 0.000 t  
 EAN code: ..... 4242003912140  
 Connection Rating: ..... 800 W  
 Fuse protection: ..... 10 A  
 Nominal power: ..... 220-240 V  
 Frequency: ..... 50 Hz  
 Capacity: ..... 9.0 kg  
 Energy efficiency rating: ..... A++  
 Energy consumption electric dryer, full load - NEW (2010/30/EC):  
 2.05 kWh  
 Standard cotton programme time at full load: ..... 176 min  
 Energy consumption electric dryer, partial load - NEW (2010/30/EC):  
 ..... 1.25 kWh  
 Standard cotton programme time at partial load: ..... 121 min  
 Weighted annual energy consumption, electric dryer - NEW  
 (2010/30/EC): ..... 258.0 kWh/annum  
 Weighted programme time: ..... 145 min  
 Average condensation efficiency full load (%): ..... 86 %  
 Average condensation efficiency partial load (%): ..... 86 %  
 Weighted condensation efficiency (%): ..... 86 %



### Optional accessories

WZ20600	Wool in basket - accessory
WZ27400	Stacking kit with pull-out shelf
WZ27410	Stacking kit
WZDP20D	Platform with pull-out, dryer, cubic

## IQ500, Heat pump tumble dryer, 9 kg WQ45G2D9GB

### Features

- Extraklasse on panel

#### Performance

- Energy Efficiency Class<sup>1</sup>: A++
- Energy<sup>2</sup>: 258 kWh
- Capacity: 1 - 9 kg
- Programme time<sup>3</sup>: 176 min
- Noise level: 64 dB (A) re 1 pW
- Condensation efficiency class<sup>4</sup>: B
- Condensation efficiency<sup>5</sup>: 86 %

#### Programmes/functions

- Touch control buttons: Iron dry, Cupboard dry, Cupboard dry+, end time delay, less ironing, low heat, buzzer, Start / Reload / Pause, 24 h end time delay
- Standard programmes: cotton, easy care
- Special programmes: cotton, shirts, Cotton Eco, lingerie, towels, pillows, mixed fabrics, outdoor, rapid 40, blankets, easy-care, wool drying in basket, timed programme warm

#### Key features

- Anti crease cycle 120 min at the end of the programme
- Fully electronic control dial for sensor and timed programmes
- Half Load option: optimises drying for smaller loads
- Sensitive drying: large softDry stainless steel drum system and revolution drying system
- AntiVibration design: for greater stability and quietness

#### Additional features

- Large LED display for remaining time and 24 hours time delay, programme progress indication and special functions
- NewValue door with cover glass, Alu-Look, white
- Speed
- Load recommendation
- soft dial
- Heat pump technology with climate friendly cooling agent
- Drum interior light
- Container for condensed water
- Wool drying basket
- Door hinge: right-hand
- Metal door catch
- Child Lock
- End of cycle buzzer

#### Technical Information

- Slide-under installation
- Dimensions (H x W): 84.2 cm x 59.8 cm
- Appliance depth: 61.3 cm
- Appliance depth incl. door: 64.8 cm
- Appliance depth with open door: 109.6 cm

<sup>1</sup> At a range of energy efficiency classes from A+++ to D

<sup>2</sup> Energy consumption kWh per year, based on 160 drying cycles of the standard cotton programme at full and partial load, and the consumption of the low power modes

<sup>3</sup> Programme time of the standard cotton programme at full load

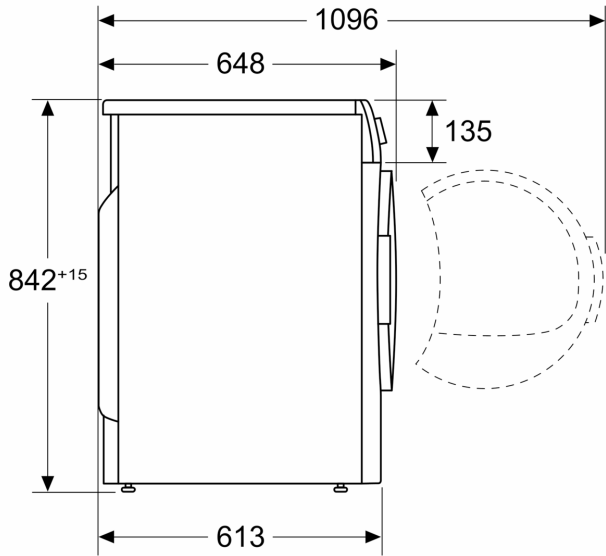
<sup>4</sup> On a condensation efficiency class scale from A to G

<sup>5</sup> Weighted condensation efficiency for the standard cotton programme at full and partial load

**IQ500, Heat pump tumble dryer, 9  
kg  
WQ45G2D9GB**

Dimensioned drawings

Measurements in mm



Measurements in mm

