

Series 6, Condenser tumble dryer, 8 kg WPG23108GB



B



- **Auto Dry:** automatically dries to the exact level of dryness you want.
- **AntiVibration Design:** extremely stable and especially quiet thanks to special vibration protection.
- **Sensitive Drying System:** for gentle drying without any creases.
- **SensitiveDrying System:** the unique drum structure protects and delivers a drying performance without creases.
- **Fast drying within 40 minutes, suitable for a small amount of synthetic and thin items.**

Technical Data

Built-in / Free-standing:	Free-standing
Removable top:	No
Door hinge:	Right
Length electrical supply cord:	179.5 cm
Dimensions:	842 x 598 x 613 mm
Net weight:	45.5 kg
EAN code:	4242005308705
Connection rating:	2800 W
Fuse protection:	13 A
Voltage:	220-240 V
Frequency:	50 Hz
Loading capacity:	8.0 kg
Energy efficiency rating:	B
Energy consumption electric dryer, full load - NEW (2010/30/EC):	4.71 kWh
Standard cotton programme time at full load:	150 min
Energy consumption electric dryer, partial load - NEW (2010/30/EC):	2.56 kWh
Standard cotton programme time at partial load:	83 min
Weighted annual energy consumption, electric dryer - NEW (2010/30/EC):	560.0 kWh/annum
Weighted programme time:	112 min
Average condensation efficiency full load (%):	88 %
Average condensation efficiency partial load (%):	88 %
Weighted condensation efficiency (%):	88 %

Optional accessories

WMZ20600	Wool in basket - accessory
WTZ1110	Condenser drainage kit
WTZ11400	Stacking kit with pull-out shelf
WTZ20410	Stacking kit
WTZPW20D	Platform with pull-out, dryer, cubic



4 242005 308705

Series 6, Condenser tumble dryer, 8 kg WPG23108GB

- Condenser Dryer
- 8 kg

Performance

- Energy Efficiency Class¹: B
- Energy²: 560 kWh
- Capacity: 1 - 8 kg
- Programme time³: 150 min
- Noise level: 64 dB (A) re 1 pW
- Condensation efficiency class⁴: B
- Condensation efficiency⁵: 88 %

Programmes/functions

- Standard programmes: cotton, easy care
- Special programmes: Cottons, Cotton Eco, Delicates, Towels, Mixed Load, Shirts 15, Super Quick 40, Sportswear, Duvet, Easy-Care, Woollens, Timed programme cold, Timed programme warm

Key features

- Anti crease cycle 120 min at the end of the programme
- Half Load option: optimises drying for smaller loads
- Touch control buttons: Iron dry, Cupboard dry, Cupboard dry+, end Time Delay, Reduced ironing, Low heat, Buzzer, Start / Reload / Pause, 24 h end Time Delay

Additional features

- EasyClean filter
- Fully electronic control dial for sensor drying programmes and timed programmes
- Large LED display for remaining time and 24 hours time delay, programme progress indication and special functions
- Load recommendation
- Soft dial
- Sensitive drying: large stainless steel drum with textile care and revolution drying system
- AntiVibration design: for greater stability and quietness
- Drum interior light
- Container for condensed water
- Child Lock
- Buzzer to indicate the end of cycle
- NewValue door with cover glass, black-blackgrey
- Door hinge: right-hand
- Metal door catch

Technical Information

- slide-under installation
- Dimensions (H x W): 84.2 cm x 59.8 cm
- Appliance depth: 61.3 cm
- Appliance depth with open door: 109.6 cm

¹ At a range of energy efficiency classes from A+++ to D

² Energy consumption kWh per year, based on 160 drying cycles of the standard cotton programme at full and partial load, and the consumption of the low power modes

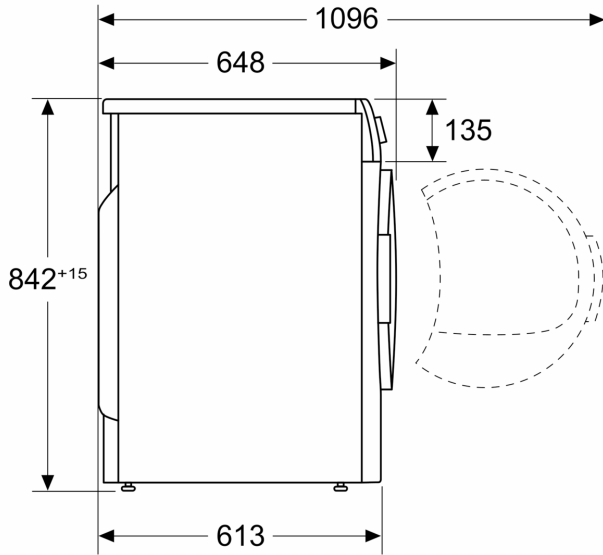
³ Programme time of the standard cotton programme at full load

⁴ On a condensation efficiency class scale from A to G

⁵ Weighted condensation efficiency for the standard cotton programme at full and partial load

**Series 6, Condenser tumble dryer, 8
kg
WPG23108GB**

Measurements in mm



Measurements in mm

