

Series 4, Washer dryer, 7/4 kg WKD28352GB



- **7/4 kg load capacity:** wash 7 kg, dry 4 kg.

Technical Data

Energy Efficiency Class Wash/Dry cycle(Regulation):E
 Energy Efficiency Class Eco 40-60 programme (Regulation): E
 Weighted energy consumption in kWh per 100 full Wash/Dry cycle: 266 kWh
 Weighted energy consumption in kWh per 100 washing cycles of eco 40-60 programme: 77 kWh
 Maximum capacity in kg in a Wash/Dry cycle: 4.0
 Maximum capacity in kg in a wash cycle: 7.0
 The water consumption of the full wash and dry cycle in liters per cycle: 68 l
 The water consumption of the eco programme in liters per cycle: 44 l
 Duration of the full wash and dry cycle in hours and mins at rated capacity: 5:30 h
 Duration of eco 40-60 programme in hours and mins at rated capacity: 2:50 h
 Spin-drying efficiency class of eco 40-60 programme: B
 Airborne acoustical noise emissions : 72 dB(A) re 1 pW
 Airborne acoustical noise emission class: A
 Built-in / Free-standing: Built-in
 Removable top: No
 Door hinge: Left
 Length electrical supply cord: 220.0 cm
 Dimensions of the product: 820 x 595 x 584 mm
 Net weight: 80.7 kg
 Drum volume: 52 l
 EAN code: 4242005222285



Optional accessories

- WMZ2200 Floor securing component
- WMZ2380 Extension for cold water inlet /Aquastop

Series 4, Washer dryer, 7/4 kg WKD28352GB

** Values are rounded.

Performance

- Energy Efficiency Class Wash and Dry¹: E
- Energy Efficiency Class Washing²: E
- Energy³ / Water⁴ Wash and Dry: 266 kWh / 68 litres
- Energy⁵ / Water⁶ Washing: 77 kWh / 44 litres
- Load capacity Wash and Dry / Washing: 1 - 4 kg / 1 - 7 kg
- Programme duration⁷ Wash and Dry / Washing: 5:30 h:min / 2:50 h:min
- Spin drying efficiency class: EU19_spin efficiency class: B
- Spin speed^{**}: 600 - 1355 rpm
- Noise level: 72 dB (A) re 1 pW
- Noise efficiency class: A

Programmes/functions

- Fully electronic control dial for all wash and special programmes
- Special programmes: 30°C, 40°C, rinsing/spinning, fluff clean, Drain / Spin, Handwash/Wool, Wool Programme, Delicates 30°C
- Special programme - drying: fluff removal cycle
- Timed drying programmes
- Buttons: Start, Spin speed reduction, Change, menu, drying time and 24 hour Ready in Start time delay
- Sensor electronics with safeguard monitoring system that adjusts load and distribution and programme settings to protect clothes

Key features

- Reload facility
- AquaSpa wash system

Additional features

- Display for programme progress indication, time remaining and 24 hours time delay
- Aqua Protection
- Foam detection system
- Child lock
- Buzzer to indicate the end of cycle

Technical Information

- Fully integrated
- Left hinged door
- Dimensions (H x W x D): 82 x 59.5 x Appliance depth: 56 cm
- adjustable base height: 16.5 cm
- adjustable base depth: 6 cm
- ActiveWater Plus: for highly efficient use of water even with small loads thanks to automatic load detection.

¹ ² Scale of Energy Efficiency Classes from A to G

³ Energy consumption in kWh per 100 complete cycles (in Eco 40-60 programme)

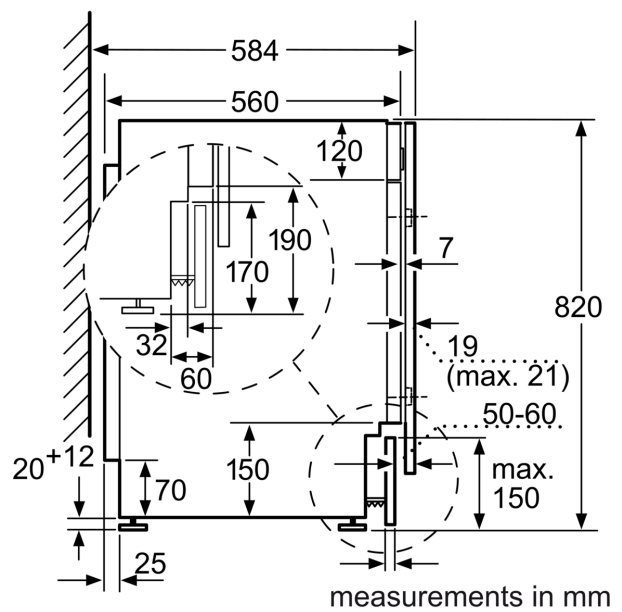
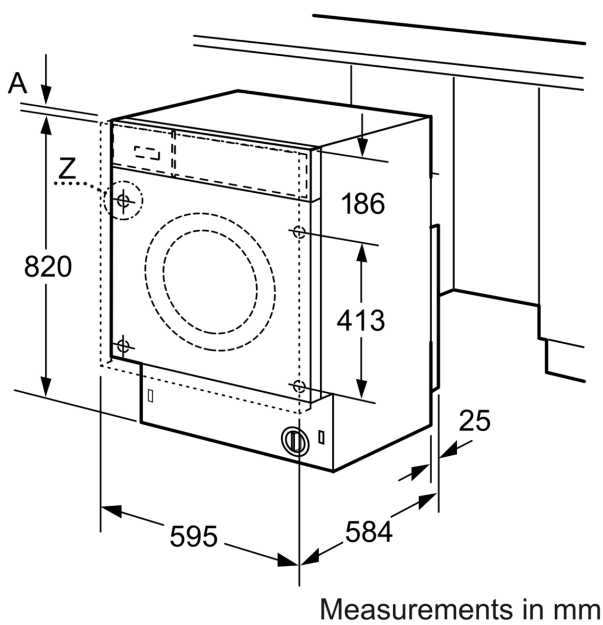
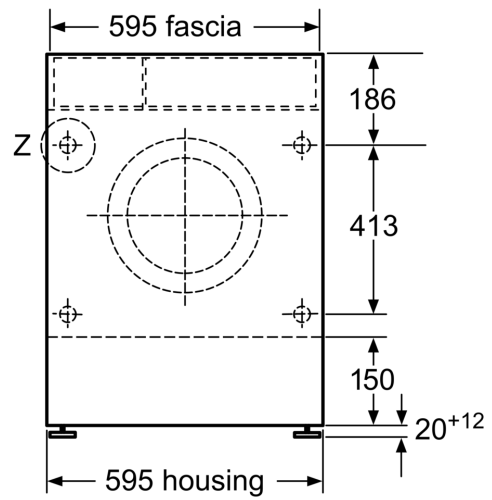
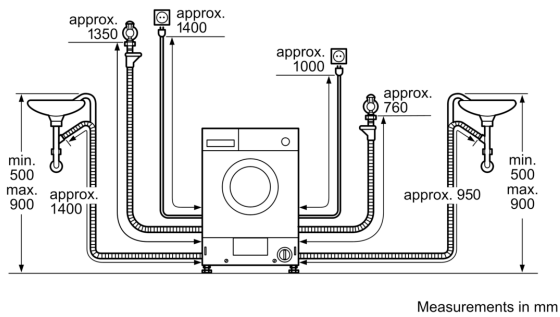
⁴ Water consumption in litres per complete cycle (in Eco 40-60 programme)

⁵ Energy consumption in kWh per 100 washing cycles (in Eco 40-60 programme)

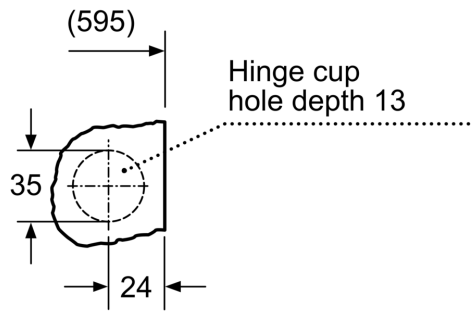
⁶ Weighted water consumption in litres per washing cycle (in Eco 40-60 programme)

⁷ Duration of Eco 40-60 programme, Wash and Dry cycle / Wash only cycle

**Series 4, Washer dryer, 7/4 kg
WKD28352GB**



Z detail



Measurements in mm